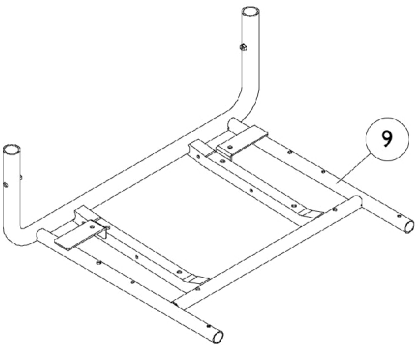
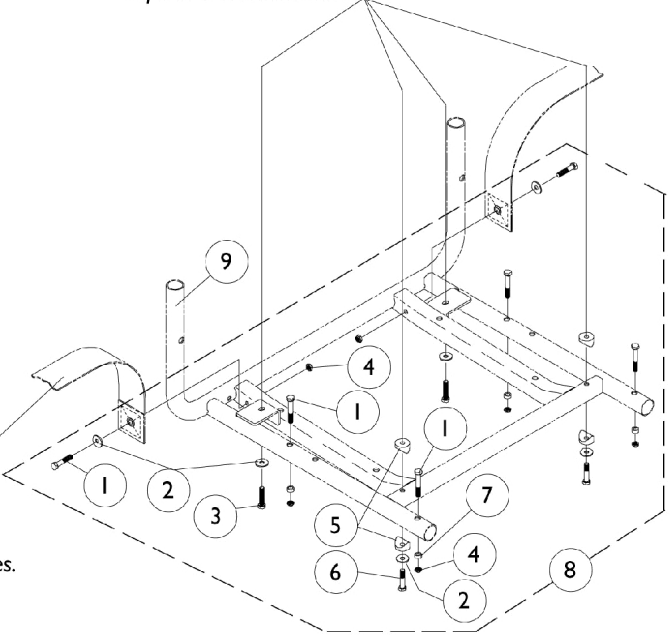


Captain Seat Frame and Actuator Hardware Before 11/1/01



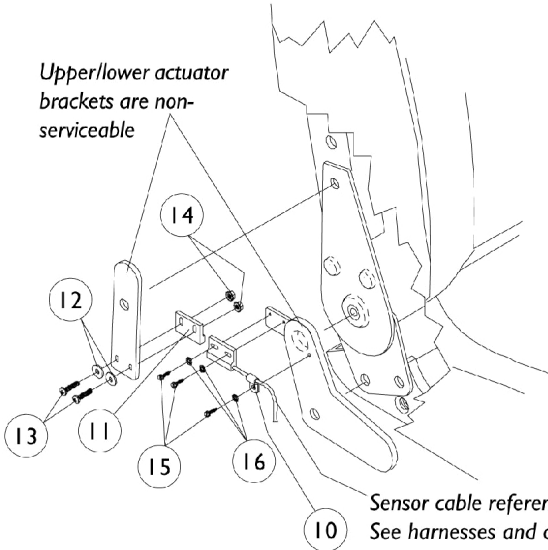
22" Wide Seat Frame

Captain seat attaches here



Seat positioning strap
reference only. See
miscellaneous accessories.

Upper/lower actuator
brackets are non-
serviceable



Sensor cable reference only.
See harnesses and cables page.

Actuator Attaching Hardware (High Back 18" Wide Models Only)

Captain Seat Frame and Actuator Hardware Before 11/1/01

Item Number	Note	Part Number	Description	Quantity Per	
				Package	Assembly
1		1030949	Screw, Hex Head (1/4-20 x 1-1/2")	1	6
2		1026900	Washer (1/4 x 23/32 x 1/16")	1	6
3	A	1071603-NLA	NLA - Screw, Hex Head w/ Patch (M6 x 1 x 20mm)	1	4
3	B	1045267	Screw, Hex Head w/ Patch (1/4-20 x 3/4")	1	4
4		7930333	Locknut (1/4-20)	25	6
5		1026099	Spacer, Coved (1/4 x 11/16 x 1/2")	1	4
6	A	1070434-NLA	nla - Screw, Hex Head w/ Patch (M6 x 1 x 50mm)	1	2
6	B	1088898-NLA	NLA - Screw, Hex Head w/ Patch (1/4-20 x 1-3/4")	1	2
7		1047449-NLA	NLA - Spacer (1/4 x 3/8 x 3/16")	1	4
8	A,C	1070450-NLA	NLA - Hardware, Seat Attaching	1	1
8	B,C	1079208-NLA	NLA - Hardware, Captain Seat Mounting	1	1
9	D	1070455-NLA	NLA - Frame, Seat, Black (18" W)	1	1
9	E	1101913-NLA	NLA - Frame, Seat, Black (22" W)	1	1
10		1098624-NLA	NLA - Clamp, Cable	1	1
11		1024001	Sensor, Actuator Switch	1	1
12		16348X007	Rivet Washer (1/8 x 3/8 x 1/16")	1	2
13		1074128	Screw, Phillips Pan Head (#4-40 x 7/16")	1	2
14		P0870X000	Nut, Hex Keps (#4-40)	1	2
15		1025116-NLA	NLA - Screw, Slotted Hex Washer Head Tap (#4-3/8")	1	3
16		1008525-NLA	NLA - Washer, Internal Tooth Lock (#4-40)	1	3

NOTE: A - All High Backs 18" Wide.
B - Extended Backs, Forward Folding Seat and High Backs 22" Wide.
C - Seat Attaching Hardware (Consists of Items 1-7).
D - Extended Backs, Forward Folding Seat and High Backs 18" Wide.
E - All High Backs 22" Wide.