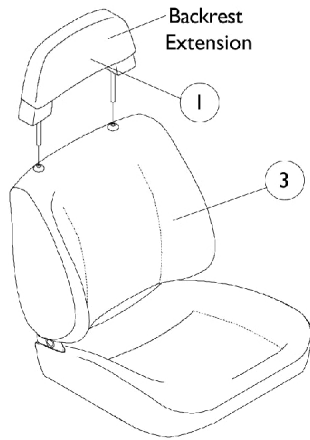
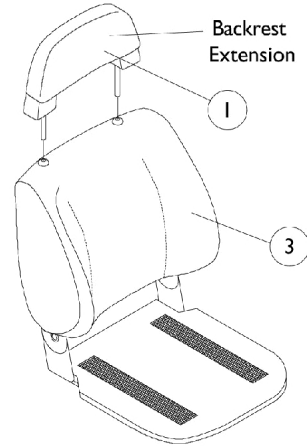


# Captain Seat Assembly

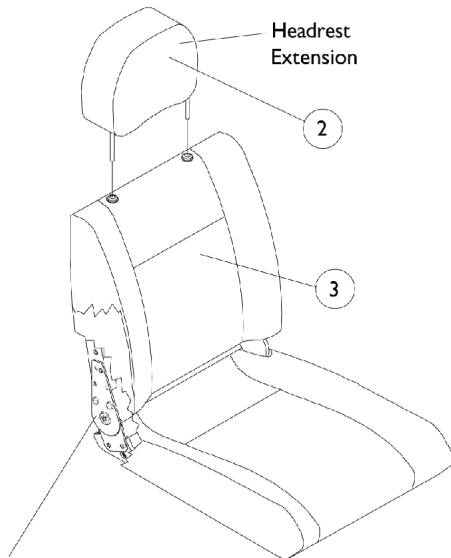
Before 11/1/01



**Extended Back 18" Wide**

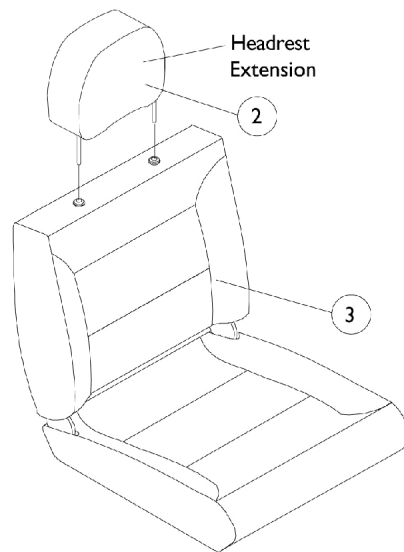


**Extended Back, Forward Folding 18" Wide w/ Solid Seat Base**



**NOTE:** High back 18" wide captain seat includes the actuator hardware. See seat frame and actuator hardware page.

**High Back 18" Wide w/ Full Recline**



**High Back 22" Wide w/ Semi Recline**

## Captain Seat Assembly Before 11/1/01

Item Number	Backrest / Headrest Extensions & Captain Seat Assemblies	Grey Fabric / Vinyl	All Grey Vinyl	Brunswick Buff All Tan Vinyl
1	Backrest, Extended Back (E.B.)	1090374-NLA See Note(s) A	1090375-NLA See Note(s) A	1090376-NLA See Note(s) A
1	Backrest, (E.B.) Forward Folding (Before 5/12/00)	1078997-NLA See Note(s) B	N/A	N/A
1	Backrest, (E.B.) Forward Folding (After 5/11/00)	1090374-NLA See Note(s) A	N/A	N/A
2	Headrest, High Back (For 18" & 22" Wide)	1090379-NLA See Note(s) A	1090380-NLA See Note(s) A	N/A
3	18" W (E.B.) Extended Back	1090371-NLA	1090372-NLA	1090373-NLA
3	18" W (E.B.) Forward Folding Before (5/12/00)	1085104-NLA	N/A	N/A
3	18" W (E.B.) Forward Folding (After 5/11/00)	1090370-NLA	N/A	N/A
3	18" W High Back with Full Recline	1091068-NLA See Note(s) C	1091069-NLA	N/A
3	22" W High Back with Semi Recline	1098287-NLA	N/A	N/A

NOTE: A - 4-3/4" Backrest / Headrest Post Spacing

B - 9" Backrest Post Spacing

C - High back 18" wide captain seats include actuator attaching hardware.

NOTE: When converting from an extended back captain seat to a 18" wide captain seat, a sensor cable part number (1092913) must be ordered.

NOTE: For captain seats marked NLA, use captain seats dated after 10/31/01 as replacements.