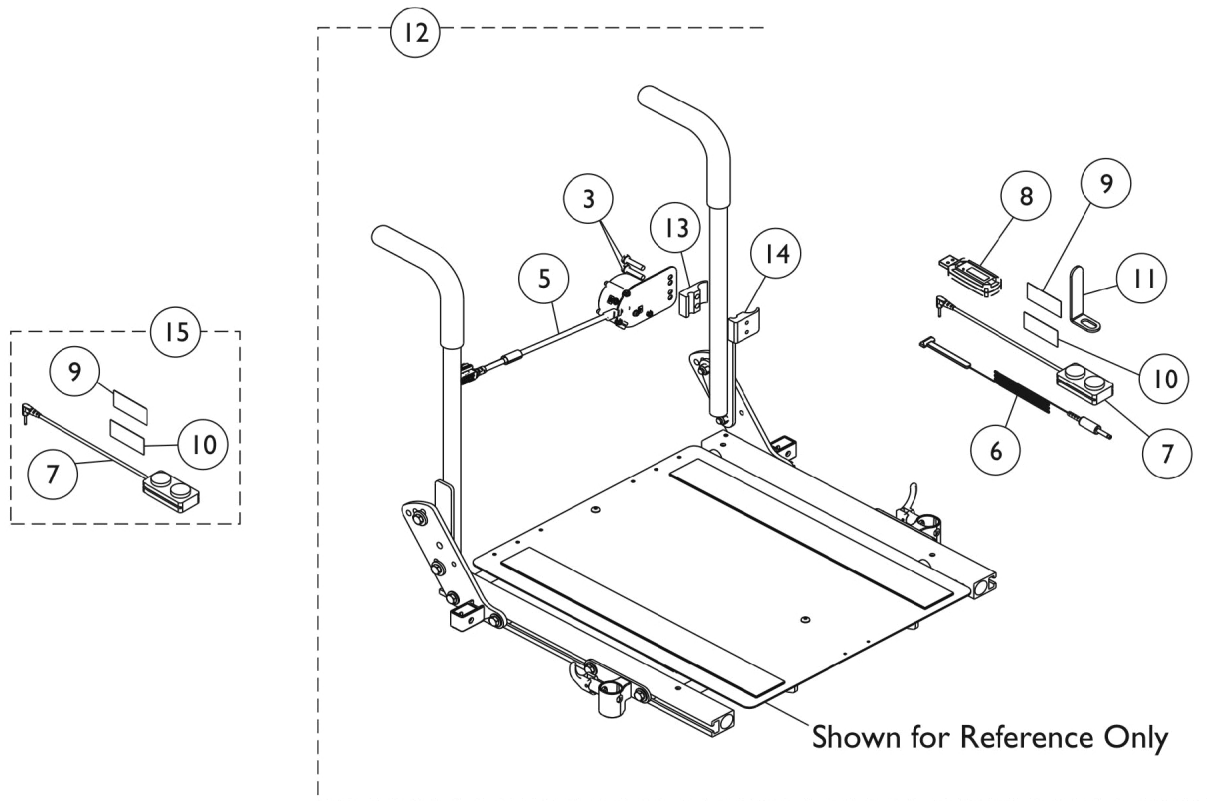
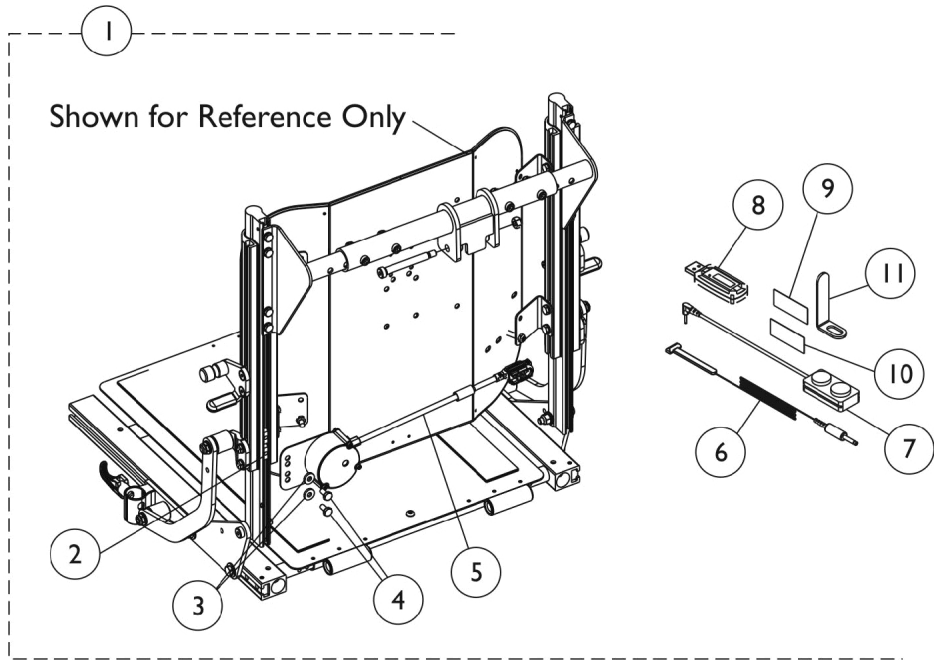


MK6i IR Wireless Mouse Module



MK6i IR Wireless Mouse Module

Item Number	Note	Part Number	Description	Quantity Per			
				Package	Assembly		
1	A,D	1154091	IR Mouse Mounting Assembly w/ T-Nut	1	1		
2			T-Nut (1/4-20)	1	2		
3			Washer (1/4 x 5/8 x 3/32")	1	2		
4			NLA - Screw, Hex Head (1/4-20 x 1-1/2")	1	2		
5			NLA - IR Mouse Module Assembly (63" L)	1	1		
6			Emitter, IR, Single Head	1	1		
7			Switch, Push Button Dual	1	1		
8			USB, IR/RF Mouse Dongle, Programmed	1	1		
9			Hook, Material	1	1		
10			Loop, Material	1	1		
11			Bracket, Support	1	1		
			Owner's Manual, IR Mouse	1	1		
			Tie Wrap (5-5/8" L)	1	5		
12	B,D	1156634-NLA	NLA - IR Mouse Mounting Assembly w/ Clamp	1	1		
3			NLA - Screw, Hex Head (1/4-20 x 1-1/8")	1	2		
5			NLA - IR Mouse Module Assembly (63" L)	1	1		
6			Emitter, IR, Single Head	1	1		
7			Switch, Push Button Dual	1	1		
8			USB, IR/RF Mouse Dongle, Programmed	1	1		
9			Hook, Material	1	1		
10			Loop, Material	1	1		
11			Bracket, Support	1	1		
13			Half Clamp, Non-Threaded Holes	1	1		
14			NLA - Half Clamp, Threaded Holes	1	1		
					Tie Wrap (5-5/8" L)	1	5
					Owner's Manual, IR Mouse	1	1
5				1154084-NLA	NLA - IR Mouse Module Assembly (63" L)	1	1
6		1154089	Emitter, IR, Single Head	1	1		
8		1163503	USB, IR/RF Mouse Dongle, Programmed	1	1		
15	C	1153635	Kit, Switch, Dual Push Button (2PB)	1	1		

NOTE: A - Includes items 2-11, tie wraps and owner's manual.
 B - Includes items 3, 5-11, 13, 14, tie wraps and owner's manual.
 C - Includes items 7, 9 and 10.
 D - Used on power wheelchairs manufactured on or Before 11/30/16 only.