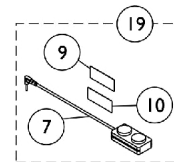
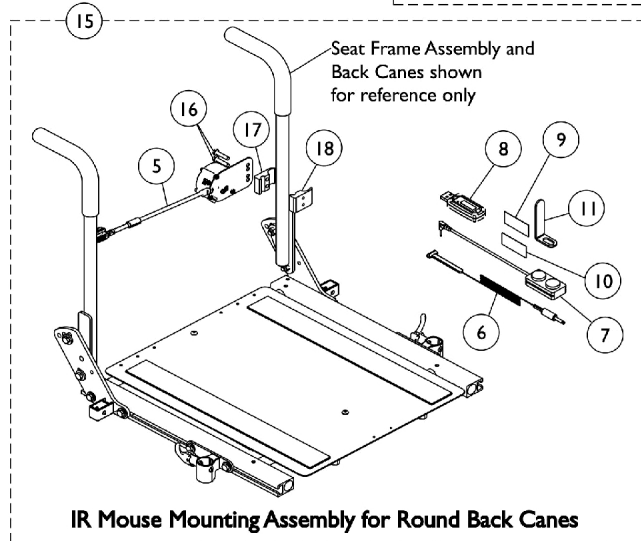
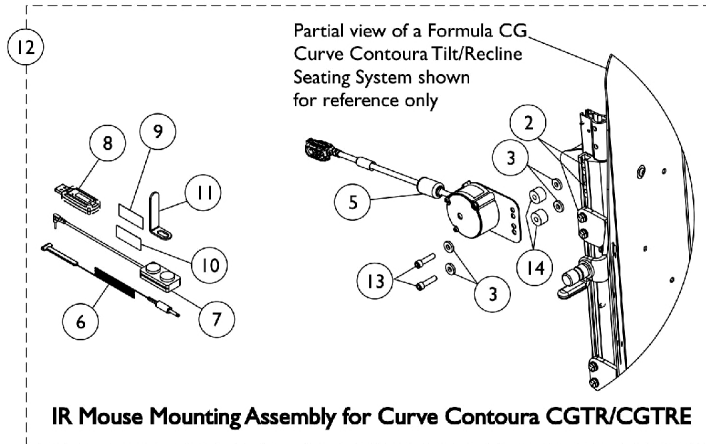
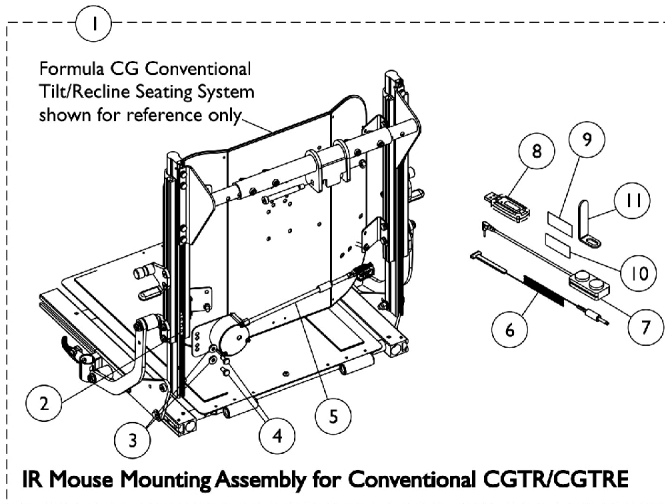


MK6i IR Wireless Mouse Module - FDX



MK6i IR Wireless Mouse Module - FDX

| Item Number | Note | Part Number | Description | Quantity Per | |
|-------------|------|-------------|---|--------------|----------|
| | | | | Package | Assembly |
| 1 | A | 1168749-NLA | NLA - IR Mouse Mounting Assembly w/ T-Nut, Conventional | 1 | 1 |
| 2 | | | T-Nut (1/4-20) | 1 | 2 |
| 3 | | | Washer (1/4 x 5/8 x 3/32") | 1 | 2 |
| 4 | | | NLA - Screw, Hex Head (1/4-20 x 1-1/2") | 1 | 2 |
| 5 | | | NLA - IR Mouse Module Assembly (26" L) | 1 | 1 |
| 6 | | | Emmitter, IR, Single Head | 1 | 1 |
| 7 | | | Switch, Push Button Dual | 1 | 1 |
| 8 | | | USB, IR/RF Mouse Dongle, Programmed | 1 | 1 |
| 9 | | | Hook, Material | 1 | 1 |
| 10 | | | Loop, Material | 1 | 1 |
| 11 | | | Bracket, Support | 1 | 1 |
| | | | Owner's Manual, IR Mouse | 1 | 1 |
| | | | Tie Wrap (5-5/8" L) | 1 | 5 |
| 12 | B | 1169289-NLA | NLA - IR Mouse Mounting Assembly w/ T-Nut, Curve Contoura | 1 | 1 |
| 2 | | | T-Nut (1/4-20) | 1 | 2 |
| 3 | | | Washer (1/4 x 5/8 x 3/32") | 1 | 4 |
| 5 | | | NLA - IR Mouse Module Assembly (26" L) | 1 | 1 |
| 6 | | | Emmitter, IR, Single Head | 1 | 1 |
| 7 | | | Switch, Push Button Dual | 1 | 1 |
| 8 | | | USB, IR/RF Mouse Dongle, Programmed | 1 | 1 |
| 9 | | | Hook, Material | 1 | 1 |
| 10 | | | Loop, Material | 1 | 1 |
| 11 | | | Bracket, Support | 1 | 1 |
| 13 | | | NLA - Screw, Socket Head Cap w/ Patch (1/4-20 x 1") | 1 | 2 |
| 14 | | | Spacer (1/4 x 3/4 x 1/2") | 1 | 2 |
| | | | Owner's Manual, IR Mouse | 1 | 1 |
| | | | Tie Wrap (5-5/8" L) | 1 | 5 |
| 15 | C | 1168444-NLA | NLA - IR Mouse Mounting Assembly w/ Clamp | 1 | 1 |
| 5 | | | NLA - IR Mouse Module Assembly (26" L) | 1 | 1 |
| 6 | | | Emmitter, IR, Single Head | 1 | 1 |
| 7 | | | Switch, Push Button Dual | 1 | 1 |
| 8 | | | USB, IR/RF Mouse Dongle, Programmed | 1 | 1 |
| 9 | | | Hook, Material | 1 | 1 |
| 10 | | | Loop, Material | 1 | 1 |
| 11 | | | Bracket, Support | 1 | 1 |
| 16 | | | NLA - Screw, Hex Head (1/4-20 x 1-1/8") | 1 | 2 |
| 17 | | | Half Clamp, Non-Threaded Holes | 1 | 1 |
| 18 | | | NLA - Half Clamp, Threaded Holes | 1 | 1 |
| | | | Tie Wrap (5-5/8" L) | 1 | 5 |
| | | | Owner's Manual, IR Mouse | 1 | 1 |
| 5 | | 1167926-NLA | NLA - IR Mouse Module Assembly (26" L) | 1 | 1 |
| 6 | | 1154089 | Emmitter, IR, Single Head | 1 | 1 |
| 19 | D | 1153635 | Kit, Switch, Dual Push Button (2PB) | 1 | 1 |

MK6i IR Wireless Mouse Module - FDX

NOTE: A - Includes items 2-11, tie wraps and owner's manual.
B - Includes items 2, 3, 5-11, 13, 14, tie wraps and owner's manual.
C - Includes items 5, 6-11 and 16-18, tie wraps and owner's manual.
D - Includes items 7, 9 and 10.