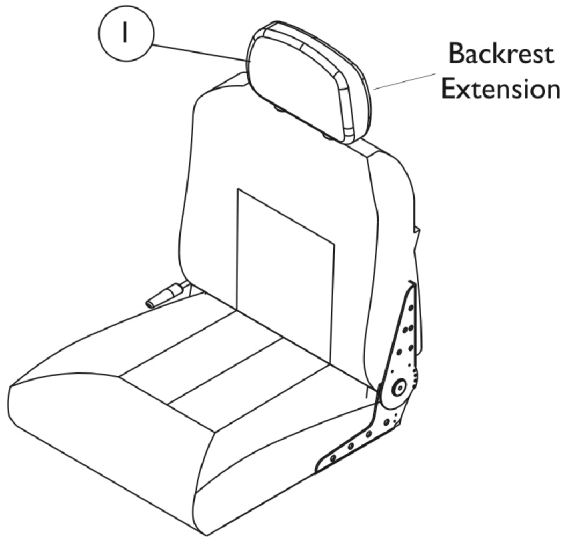
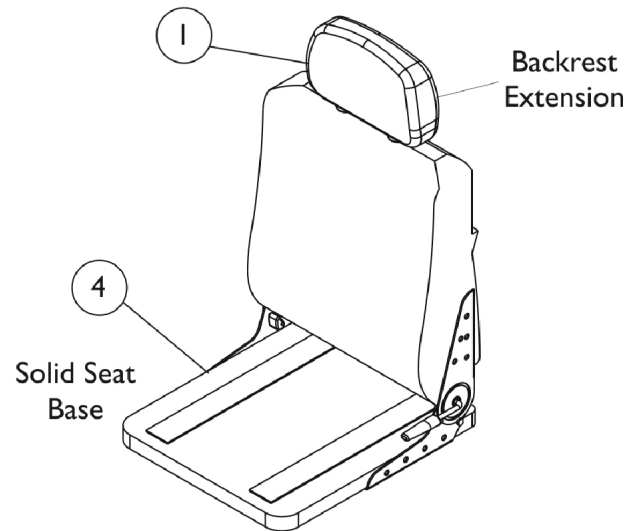


Van Seat Assembly



**#2 Van Seat
Semi Recline**



**#3 Van Seat
Semi Recline
w/ Solid Seat Base**

Van Seat Assembly

Item Number	Note	Part Number	Description	Quantity Per	
				Package	Assembly
1		1106969-NLA	NLA - Extension, Backrest, Van Seat, Grey Fabric	1	1
1		1108408	Extension, Backrest, Captain Seat, Grey Vinyl	1	1
1		1106968-NLA	NLA - Extension, Backrest, Van Seat, Tan Vinyl	1	1
2		See Chart	Van Seat (Semi-Recline) Assembly	1	1
3		See Chart	Van Seat (Semi-Recline) w/ Solid Seat Base Assembly	1	1
4	A,B	1123384-NLA	NLA - Base, Solid, Captain Seat, Grey Vinyl (16" W)	1	1
4	A	1123385-NLA	NLA - Base, Solid, Van Seat, Grey Vinyl (18" W)	1	1
4	A	1159739	Base, Solid, Captain Seat, Grey Vinyl (18" W)	1	1
4	A	1123386-NLA	NLA - Base, Solid, Van Seat, Grey Vinyl (20" W)	1	1
4	A	1159740	Base, Solid, Captain Seat, Grey Vinyl (20" W)	1	1
4	A	1123387-NLA	NLA - Base, Solid, Van Seat, Grey Vinyl (22" W)	1	1
4	A	1159741	Base, Solid, Captain Seat, Grey Vinyl (22" W)	1	1

NOTE: A - Solid Seat Base is the only item available for service parts with regard to the Van Seats. Seat Hinges are not included.
 B - 16" Solid Base is no longer available. A complete van seat should be ordered as replacement. See chart titled, "Van Seat (Semi-Recline) w/ Solid Seat Base Assembly."

#2 Van Seat (Semi-Recline) Assembly

Upholstery Type	Van Seat with Backrest 16" Wide	Van Seat with Backrest 18" Wide	Van Seat with Backrest 20" Wide	Van Seat with Backrest 22" Wide	Hinge Bracket w/ Lever Semi-Recline Right	Hinge Bracket w/o Lever Semi-Recline Left	Screw, Phillips Truss Head (1/4-20 x 3/4")
All Grey Fabric	1150811-NLA	1109254-NLA	1159892-NLA	1109256-NLA	1116634 See Note(s) A	1116635 See Note(s) A	5000136 See Note(s) B
All Grey Vinyl	1150810	1109242	1159891	1109244	1116634 See Note(s) A	1116635 See Note(s) A	5000136 See Note(s) B
All Tan Vinyl	1150812-NLA	1109248-NLA	1159893-NLA	1109250-NLA	1116634 See Note(s) A	1116635 See Note(s) A	5000136 See Note(s) B

NOTE: A - Not Shown. Hinge Brackets used for ALL Semi-Recline Seat models only. For attaching Hinge Bracket, see part number 5000136.
 B - Not shown, Screw for Hinge Bracket(s) 1116634 and 1116635. Total of (7) required for each Bracket.

NOTE: Semi-recline Van Seat reclines approximately 90-114 degrees. Adjustable depths are (16, 17, 18" deep for 16 & 18" wide seats) and (18, 19, 20" deep for 20 & 22" wide seats). Recline release levers are standard on the right side. Left side release levers can be ordered as a special with a new van seat.

Van Seat Assembly

#3 Van Seat (Semi-Recline) w/ Solid Seat Base Assembly

Upholstery Type	Van Seat w/ Solid Seat and Backrest 16" Wide	Van Seat w/ Solid Seat and Backrest 18" Wide	Van Seat w/ Solid Seat and Backrest 20" Wide	Van Seat w/ Solid Seat and Backrest 22" Wide	Hinge Bracket w/ Lever Semi-Recline Right	Hinge Bracket w/o Lever Semi-Recline Left	Screw, Phillips Truss Head (1/4-20 x 3/4")
All Grey Fabric	N/A	N/A	N/A	N/A	N/A	N/A	5000136 See Note(s) B
All Tan Vinyl	N/A	N/A	N/A	N/A	N/A	N/A	5000136 See Note(s) B
All Grey Vinyl	1150819	1150820	1159886	1150822	1116634 See Note(s) A	1116635 See Note(s) A	5000136 See Note(s) B

NOTE: A - Not Shown. Hinge Brackets used for ALL Semi-Recline Seat models only. For attaching Hinge Bracket, see part number 5000136.

B - Not shown, Screw for Hinge Bracket(s) 1116634 and 1116635. Total of (7) required for each Bracket.

NOTE: Semi-recline Van Seat reclines approximately 90-114 degrees. Adjustable depths are (16, 17, 18" deep for 16 & 18" wide seats) and (18, 19, 20" deep for 20 & 22" wide seats). Recline release levers are standard on the right side. Left side release levers can be ordered as a special with a new van seat.