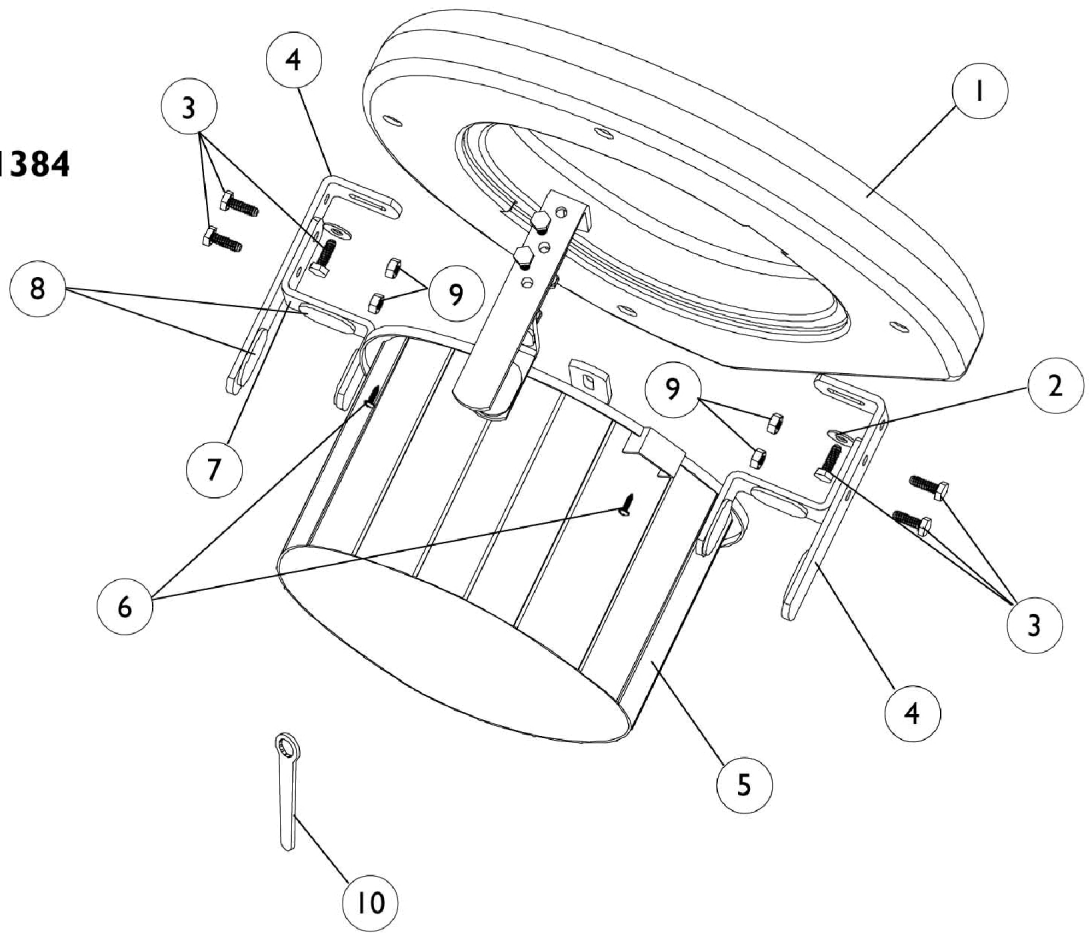


# Adjustable Raised Toilet Seat

Model 1384



## Adjustable Raised Toilet Seat

Item Number	Note	Part Number	Description	Quantity Per	
				Package	Assembly
1		1073843-NLA	NLA - Seat, Toilet	1	1
2		1040292-NLA	NLA - Washer, Steel Flat (1/4 x 5/8 x 1/16")	1	4
3		60264X010-NLA	NLA - Screw, Hex Head (1/4-20 x 3/4")	1	12
4		1071093-NLA	NLA - Bracket, Small "L", Black	1	4
5		1073844-NLA	NLA - Shield, Splash	1	1
6		1073906-NLA	NLA - Screw, Self Tap (#6-20 x 1/2")	1	4
7		1071094-NLA	NLA - Bracket, Small "Z", Black	1	4
8		1071092-NLA	NLA - Pad, Non-Skid	1	12
9		15108X000	Locknut (1/4-20)	1	8
10		1073204-NLA	NLA - Wrench, Mounting Hex Nut (1/2")	1	1