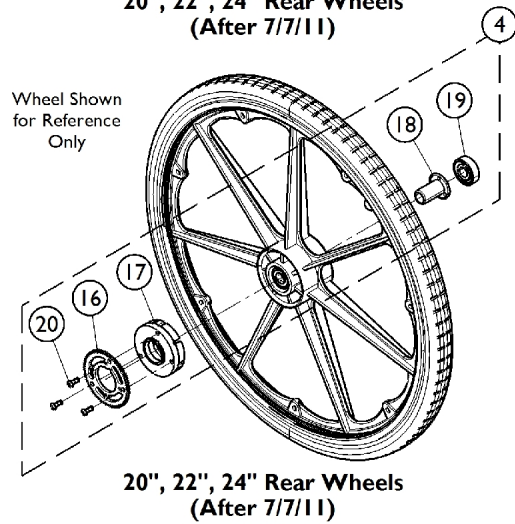
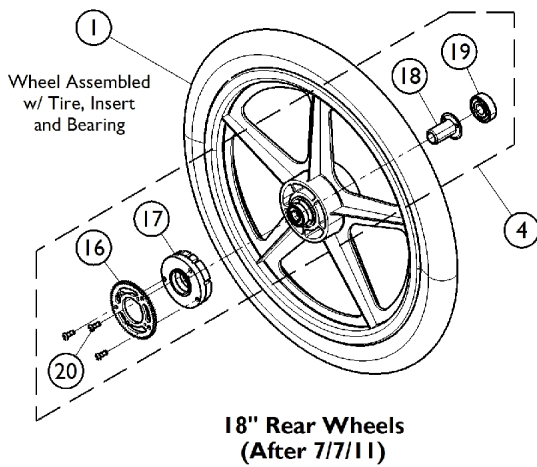
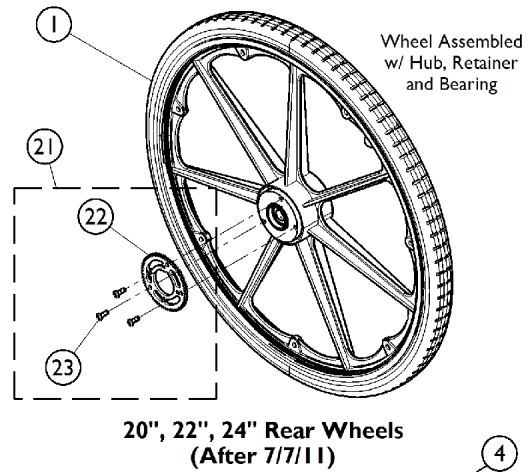
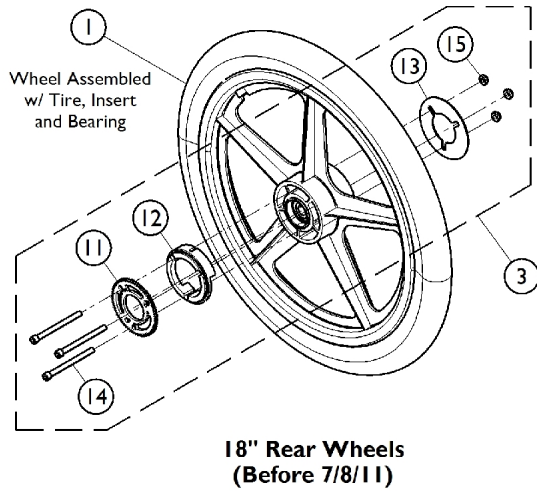
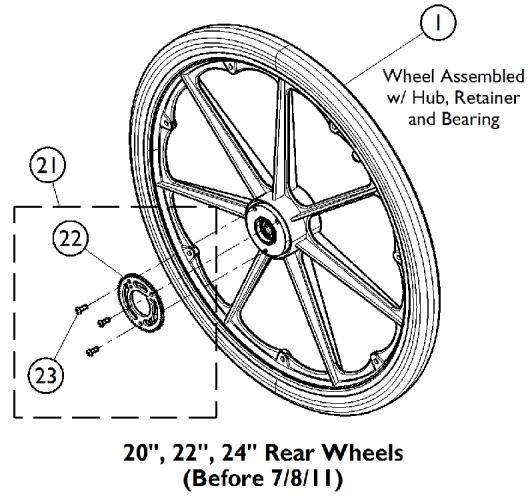
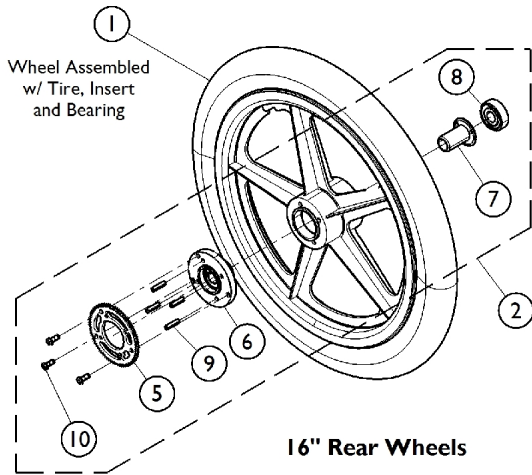


Rear w/o Handrims w/ Hublock Hardware (16" - 24" Wheels)



Rear w/o Handrims w/ Hublock Hardware (16" - 24" Wheels)

5/8" Axle Rear Wheels are used for Fixed Front Frame models only.

Item Number	Note	Part Number	Description	Quantity Per	
				Package	Assembly
1		See Chart	Item #1 Rear Wheels w/o Handrims w/ Hublock Hardware (After 7/7/11)	1	1
1		See Chart	Item #1 Rear Wheels w/o Handrims w/ Hublock Hardware (Before 7/8/11)	1	1
2	E	1164043-NLA	NLA - Kit, Hublock Hardware, Wheel (16")	1	1
5			Ring, Gear, Hublock	1	1
6			Hub Assembly	1	1
7			Nut, Hub Retaining	1	1
8			Bearing (1/2" I.D. x 1-3/8" O.D.)	1	1
9			NLA - Pin, Roll (3/16 x 3/4")	1	4
10			Screw, Button Head Cap w/ Patch (#10-24 x 1/2)	1	3
3	A	1132369-NLA	NLA - Kit, Hublock Hardware, Wheel (18")	1	1
11			Ring, Gear	1	1
12			Ring, Adapter (18" Wheel)	1	1
13			Ring, Retaining (18" Wheel)	1	1
14			Screw, Socket Head (1/4-28 x 3")	1	3
15			Locknut (1/4-28)	1	3
4	B	1164042	Kit, Hublock Hardware, Wheel (18")	1	1
16			Ring, Gear, Hublock	1	1
17			Hub Assembly, Composite	1	1
18			Nut, Hub Retaining	1	1
19			Bearing (1/2" I.D. x 1-3/8" O.D.)	1	1
20			Screw, Button Head Cap w/ Patch (#10-24 x 1/2)	1	3
4	B	1164038-NLA	NLA - Kit, Hublock Hardware, Wheel (20", 22", 24")	1	1
16			Ring, Gear, Hublock	1	1
17			Hub Assembly, Composite	1	1
18			Nut, Hub Retaining	1	1
19			Bearing (1/2" I.D. x 1-3/8" O.D.)	1	1
20			Screw, Button Head Cap w/ Patch (#10-24 x 1/2)	1	3
21	C	1164035	Kit, Hublock Hardware, Wheel (20" - 24")	1	1
22			Ring, Gear, Hublock	1	1
23			Screw, Button Head Cap w/ Patch (#10-24 x 1/2)	1	3
21	D	1133231-NLA	NLA - Kit, Hublock Hardware, Wheel (20" - 24")	1	1
22			Ring, Gear	1	1
23			NLA - Screw, Socket Head (1/4-28 x 3/4")	1	3

NOTE: A - Includes items 11 - 15. For wheelchairs manufactured before 7/8/11.
 B - Includes items 16 - 20. For wheelchairs manufactured after 7/7/11.
 C - Includes items 22 and 23. For wheelchairs manufactured after 7/7/11.
 D - Includes items 22 and 23. For wheelchairs manufactured before 7/8/11.
 E - Includes items 5 - 10. Used for 16" Wheels only.

Item #1 Rear Wheels (After 7/7/11)

5/8" axle rear wheels are used for fixed front frame models only.

Wheel Style	Wheel Size	Tire Type	Wheel Asm. (w/o Handrim)	Tire	Tube/Insert	Bearing
-------------	------------	-----------	--------------------------	------	-------------	---------

Rear w/o Handrims w/ Hublock Hardware (16" - 24" Wheels)

Item #1 Rear Wheels (After 7/7/11)

5/8" axle rear wheels are used for fixed front frame models only.

Wheel Style	Wheel Size	Tire Type	Wheel Asm. (w/o Handrim)	Tire	Tube/Insert	Bearing
16COM	16 x 1-3/4"	Pneumatic	1166046	1052099	1052100	N/A
16COM	16 x 1-3/4"	Pneumatic w/ Flat Free	1166047	1052099	1052165	N/A
18COM	18 x 1-3/4"	Pneumatic	1074839	1071441	1071440	40117X022
18COM	18 x 1-3/4"	Pneumatic w/ Flat Free	1137256	1071441	N/A	N/A
20COM	20 x 1-3/8"	Pneumatic	1164064 See Note(s) A, B	1017519	1017520	40117X022
20COM	20 x 1-3/8"	Pneumatic w/ Flat Free	1164065 See Note(s) A, B	1017519	1023322	40117X022
20COM	20 x 1-1/4"	Urethane	1164066 See Note(s) A, B	1037774	N/A	40117X022
22COM	22 x 1-3/8"	Pneumatic	1164067 See Note(s) A, B	1018544	1018545	40117X022
22COM	22 x 1-3/8"	Pneumatic w/ Flat Free	1164068 See Note(s) A, B	1018544	1023323	40117X022
22COM	22 x 1-1/4"	Urethane	1164069 See Note(s) A, B	1028250	N/A	40117X022
24COM	24 x 1-3/8"	Pneumatic	1164070 See Note(s) A, B	40176X060	40176X061	40117X022
24COM	24 x 1-3/8"	Pneumatic w/ Flat Free	1164071 See Note(s) A, B	40176X060	1010906	40117X022
24COM	24 x 1-1/4"	Urethane	1164072 See Note(s) B, A	1026904	N/A	40117X022

NOTE: A - These wheels come assembled with the Hub, Retaining Nut, and Bearing.
B - When ordering these wheels, item 21 (1164035) must also be ordered.

Rear w/o Handrims w/ Hublock Hardware (16" - 24" Wheels)

Item #1 Rear Wheels (Before 7/8/11)

5/8" axle rear wheels are used for fixed front frame models only.

Wheel Style	Wheel Size	Tire Type	Wheel Asm. w/o Hdrn.	Tire	Tube/Insert	Outer Bearing	Inner Bearing
18COM	18 x 1-3/4"	Pneumatic	1074839 See Note(s) B	1071441	1071440	40117X022	1104350
18COM	18 x 1-3/4"	Pneumatic w/ Flat Free	1137256 See Note(s) B	1071441	1137255	40117X022	40117X022
20COM	20 x 1-3/8"	Pneumatic	1133222-NLA See Note(s) A	1017519	1017520	40117X022	1104350
20COM	20 x 1-3/8"	Pneumatic w/ Flat Free	1133223-NLA See Note(s) A	1017519	1023322	40117X022	1104350
20COM	20 x 1-3/4"	Urethane	1133224-NLA See Note(s) A	1037774	N/A	40117X022	1104350
22COM	22 x 1-3/8"	Pneumatic	1133225-NLA See Note(s) A	1018544	1018545	40117X022	1104350
22COM	22 x 1-3/8"	Pneumatic w/ Flat Free	1133226-NLA See Note(s) A	1018544	1023323	40117X022	1104350
22COM	22 x 1-3/4"	Urethane	1133227-NLA See Note(s) A	1028250	N/A	40117X022	1104350
24COM	24 x 1-3/8"	Pneumatic	1133228-NLA See Note(s) A	40176X060	40176X061	40117X022	1104350
24COM	24 x 1-3/8"	Pneumatic w/ Flat Free	1133229-NLA See Note(s) A	40176X060	1010906	40117X022	1104350
24COM	24 x 1-1/4"	Urethane	1133230-NLA See Note(s) A	1026904	N/A	40117X022	1104350

NOTE: A - Wheel comes assembled with Hub, Gear Adapter, Retaining Nut, Washer, and Bearings.
B - When ordering a replacement wheel you must order 1164042 for the Hublock Hardware.