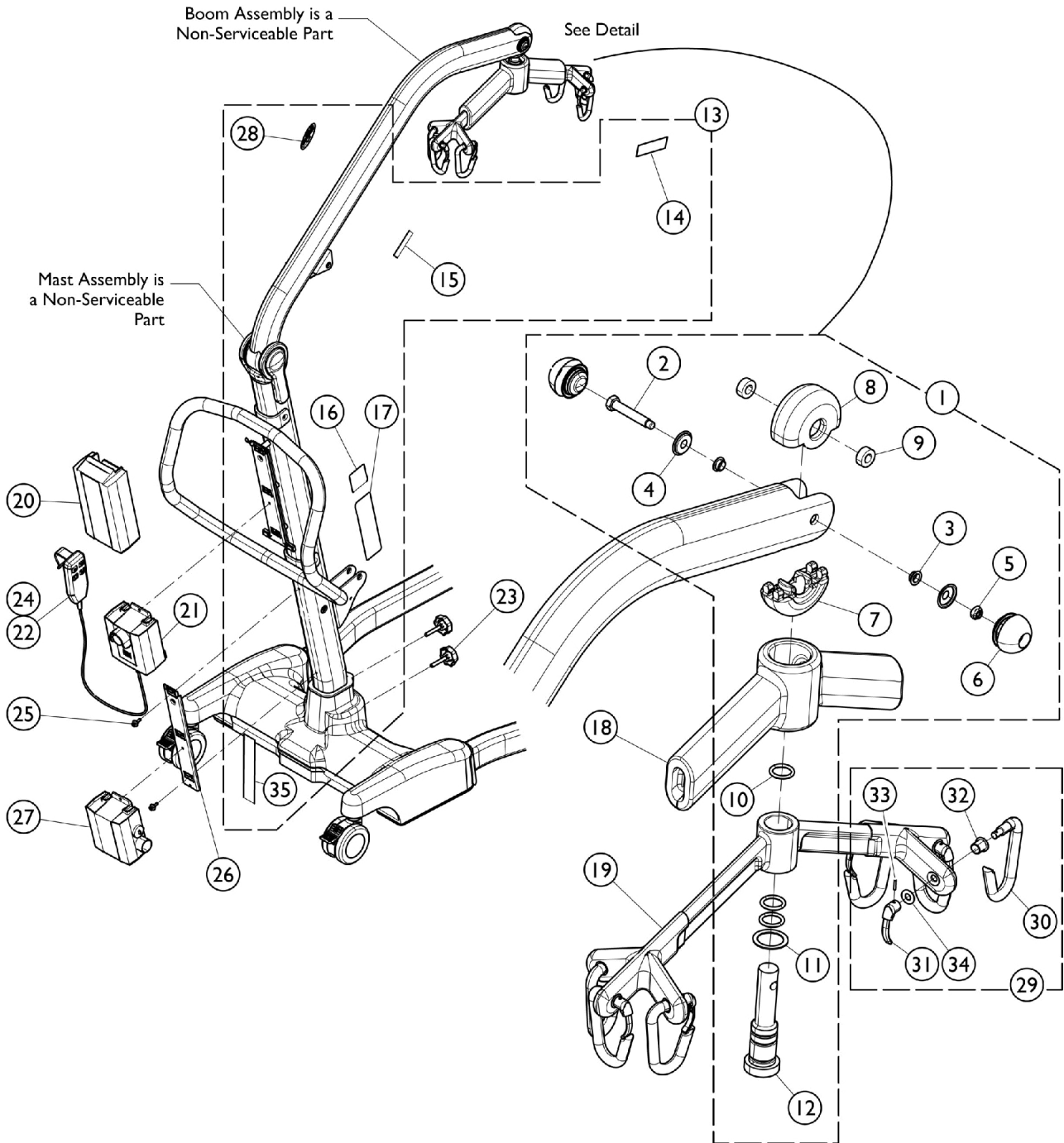


# Jasmine Full Body Lift

## Labels, Hanger Bar, Battery Pack, Controller and Hand Control (After 9/1/2011)



# Jasmine Full Body Lift

## Labels, Hanger Bar, Battery Pack, Controller and Hand Control (After 9/1/2011)

Item Number	Note	Part Number	Description	Quantity Per	
				Package	Assembly
1	A	1161581	Kit, Hanger Bar Hardware	1	1
2			Screw, Shoulder Hex Head (3/8-24 x 2", 5/8-16)	1	1
3			Bearing, Flanged (21/32 x 29/32 x 3/16")	1	2
4			Washer, Caplugs, Boom	1	2
5			Nut, Lock, Hex (5/16-18)	1	1
6			Rubber Cover, Screw Cap, Hanger	1	3
7			Rubber Cover, Boom and Hanger, Bottom	1	1
8			Rubber Cover, Boom and Hanger, Top	1	1
9			Spacer, Nylon (13/32 x 13/16 x 5/16")	1	2
10			O-Ring	1	3
11			Washer, Nylon (1-1/8 x 1-1/2 x 1/16")	1	1
12			Pin, Hanger	1	1
13	B	1169842-NLA	NLA - Kit, Label and Decal, Jasmine	1	1
14			Label, Sling	1	1
15			Decal, Jasmine	1	1
16			Label, Warning Bolt Mast	1	1
17			Label, Warning, Jasmine, 500 Pound	1	1
28			NLA - Decal, Invacare Logo (3.1)	1	1
35			Label, Warning, Mast Installation, Jasmine	1	1
18		1148566-NLA	NLA - Pad, Hanger, Bar	1	1
19		1152392	Hanger Bar Assembly	1	1
20		1152383	Battery Pack	1	1
21	D	1156004	Controller (Linak Number: CBJ1-C001-01) Analog Elec.	1	1
21	E	1156100	Controller (Linak Number: CBJC006-00) Digital Elec.	1	1
22	D	1177606	Pendant, Four Channel w/ Hook (Linak Number: HB30006-XX) Analog Elec.	1	1
22	E	1177596	Pendant, Four Channel w/ Hook (Linak Number: HB30002-XX) Digital Elec.	1	1
23		1148489	Knob, M8	1	2
24		1161593	Package, Rubber Clip	10	1
25		1161589-NLA	NLA - Package, Screw, Charger Bracket and Mast	10	1
26		1078306	Bracket, Wall Mount Charger	1	1
27		1152391	Charger, Wall	1	1
29	C	1155346	Kit, Clips and Hooks - Jasmine Hanger Bar	1	1
30			Hook, Bar Hanger	6	1
31			Bar Hanger Cover Assembly	6	1
32			Bushing, Bar Hanger	6	1
33			Pin, Hook Bar Hanger	6	1
34			Washer	6	1
		1079133	Cord, Power, USA	1	1

# **Jasmine Full Body Lift**

## **Labels, Hanger Bar, Battery Pack, Controller and Hand Control**

### **(After 9/1/2011)**

NOTE: A - Includes items 2 - 12.  
B - Includes items 14 - 17, 28, and 35.  
C - Includes items 30 - 34.  
D - Before 11/17/16  
E - After 11/16/16