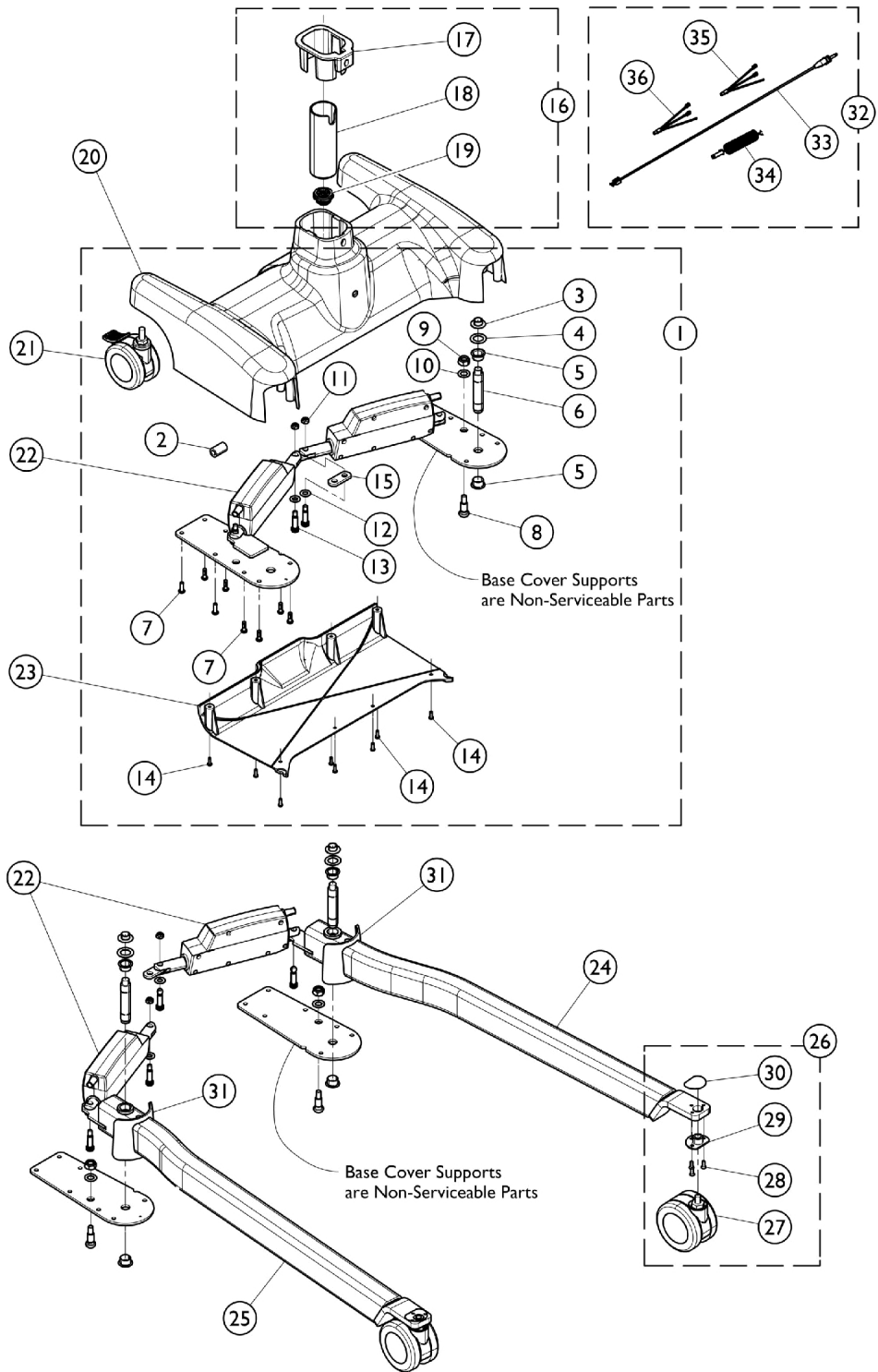


# Roze Stand Up Lift - Base Assembly (After 9/1/2011)



## Roze Stand Up Lift - Base Assembly (After 9/1/2011)

Item Number	Note	Part Number	Description	Quantity Per	
				Package	Assembly
1	A	1171361-NLA	NLA - Kit, Base Hardware	1	1
2			EMI Core	1	1
3			Bushing, Flanged (1/2 x 5/8 x 3/8)	1	2
4			Washer (3/4 x 1-3/16 x 1/32")	1	2
5			Bearing, Teflon, Flanged	1	4
6			Pin (3/4 x 3-3/4")	1	2
7			Screw, Socket Head (1/4-20 x 3/4")	1	16
8			Bolt, Kick Prevent	1	2
9			Nut, Lock, Hex (M12 x 1.75)	1	2
10			Washer (1/2 x 7/8 x 3/64")	1	2
11			Nut, Lock, Hex (5/16-18)	1	2
12			Washer, Nylon (3/8 x 3/4 x 1/16")	1	2
13			Screw, Shoulder, Socket Head (3/8 x 1", 5/16-18)	1	4
14			Screw, Phillips, Pan Head (8-32 x 1/2")	1	8
15			Plate, Actuator	1	1
16	C,E	1171481	Kit, Mast to Base Socket	1	1
17			Shroud, Base	1	1
18			Rubber Tube, Base	1	1
19			Junction Box Assembly	1	1
20		1171524-NLA	NLA - Base, Aluminum	1	1
21		1148605	Caster, Rear w/ M12 Bolt	1	2
22		1171363	Motor, Actuator	1	2
23		1148607	Cover, Base, Plastic - Blue	1	1
24		1146888	Leg Assembly, Stand Up, Roze, White - Right	1	1
25		1146887	Leg Assembly, Stand Up, Roze, White - Left	1	1
26	B	1161582	Kit, Front Caster and Hardware (Pair)	1	1
27			Caster, Front w/ M12 Bolt	1	2
28			Screw, Phillips, Flat Head (M5 x 11mm)	1	6
29			Bushing, Plate Leg	1	2
30			Mylar, Bracket Leg	1	2
31		1161591	Kit, Toe Protection (Pair)	1	1
			Protection, Toe	1	2
32	D	1171360-NLA	NLA - Kit, Controller Wire	1	1
33			Cable, Base Controller	1	1
34			Cable, Base Coil	1	1
35			Wire, Brown, Motor Actuator	1	1
36			Wire, Blue, Motor Actuator	1	1
32	F	1161583	Kit, Controller Wire	1	1
33			Cable, Base to Controller	1	1
35			Wire, Brown, Motor Actuator	1	1
36			Wire, Blue, Motor Actuator	1	1

## Roze Stand Up Lift - Base Assembly (After 9/1/2011)

NOTE: A - Includes Items 2 - 15.  
B - Includes Items 26 - 29.  
C - Includes Items 17 - 19. Special Note: Item 17 mounts inside Jasmine Mast Assembly.  
D - Includes items 33 - 36. Part #1171360 is no longer available. Use part #1161583 as a replacement.  
E - For use on all Roze Lifts manufactured after 9/1/2011.  
F - Includes items 33, 35 and 36. Replaces part #1171360.