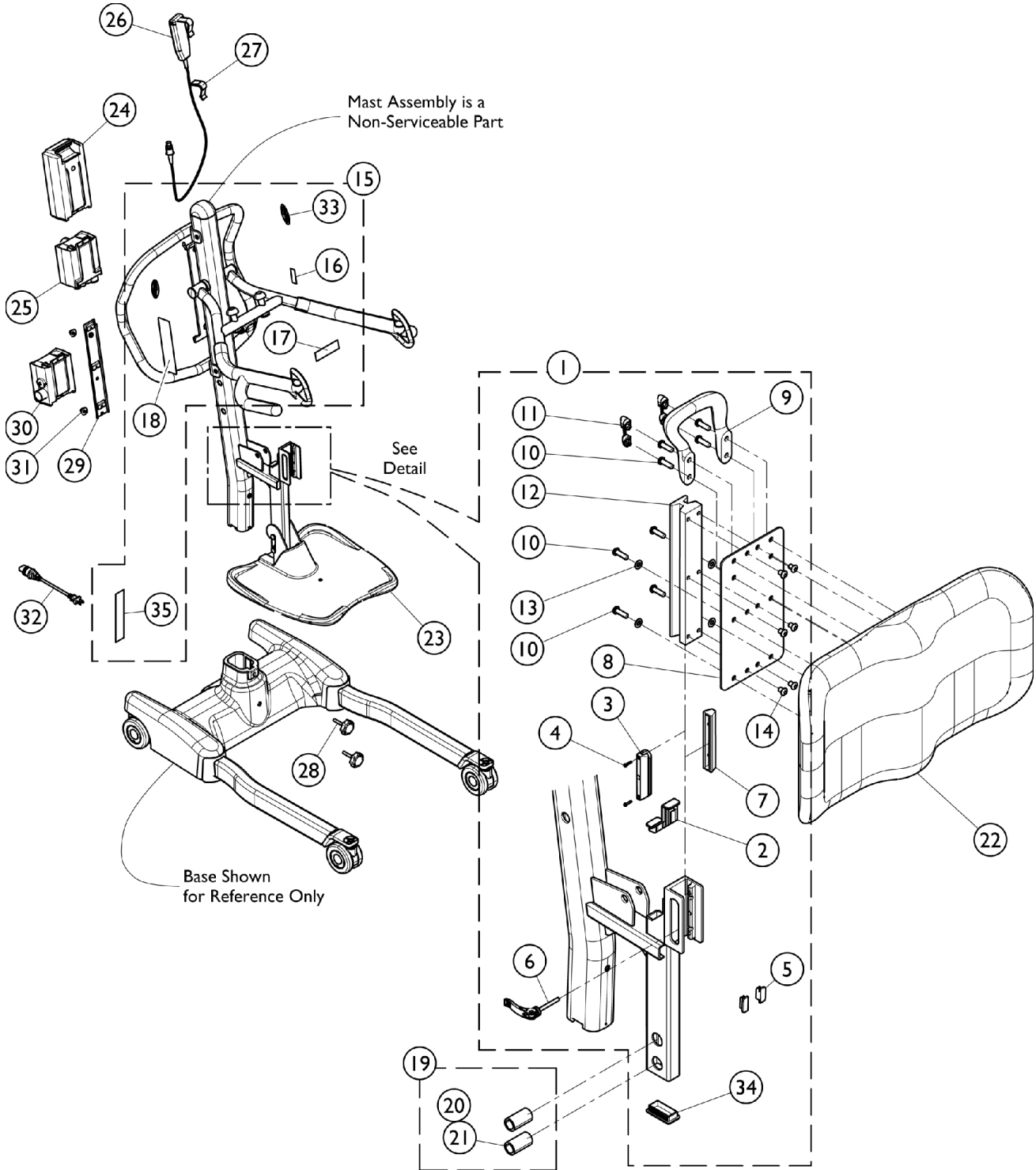


Roze Stand Up Lift

Labels, Hanger Hardware, Battery Pack, Controller and Hand Control (After 9/1/2011)



Roze Stand Up Lift

Labels, Hanger Hardware, Battery Pack, Controller and Hand Control (After 9/1/2011)

Item Number	Note	Part Number	Description	Quantity Per			
				Package	Assembly		
1	A	1161594	Kit, Knee Pad Mounting Hardware	1	1		
2			Cover, Tube, Knee Pad	1	1		
3			Rubber, Knee Pad Fixed	1	1		
4			Screw, Phillips, Pan Head, Machine (M3 x 14mm)	1	4		
5			Cover, Tube Support Knee Pad	1	2		
6			Knob, Quick Release	1	1		
7			Knee Flex Pad Adjustment Assembly	1	1		
8			Plate, Knee Rest, Front	1	1		
9			Handle, Knee Pad	1	1		
10			Screw, Socket Button Head (5/16-18 x 1")	1	8		
11			Rubber, Knee Pad Handle	1	2		
12			Guide Plate, Knee Pad	1	1		
13			Washer, Plain (21/64 x 5/8 x 3/64")	1	4		
14			Screw, Socket Button Head (5/16-18 x 3/8")	1	6		
34	B	1169845	Plug, Tube (1-3/16 x 2-1/4")	1	1		
15			NLA - Kit, Label and Decals, Roze	1	1		
16			Decal, Roze Lift	1	1		
17			Label, Sling	1	1		
18			Label, Warning, Roze 450 Lbs.	1	1		
33			NLA - Decal, Invacare Logo (3.1)	1	1		
35			Label, Warning, Mast Installation	1	1		
19			C	1161595	Kit, Footplate Hanger Hardware	1	1
20					Retaining Ring	1	4
21					Pin, Foot Plate	1	2
22	1148516	Knee Pad Assembly, Blue			1	1	
23	1148520	Footplate Assembly w/ Cover, Blue			1	1	
24	1152383	Battery Pack			1	1	
25	1156004	Controller (Linak Number: CBJ1-C001-01) Analog Elec.			1	1	
26	1177606	Pendant, Four Channel w/ Hook (Linak Number: HB30006-XX) Analog Elec.			1	1	
27	1161593	Package, Rubber Clip			10	1	
28	1148489	Knob, M8			1	2	
29	1078306	Bracket, Wall Mount Charger			1	1	
30	1152391	Charger, Wall			1	1	
31	1161589-NLA	NLA - Package, Screw, Charger Bracket and Mast	10	1			
32	1079133	Cord, Power, USA	1	1			

NOTE: A - Includes Items 2 - 14 and 34.
 B - Includes Items 16, 17, 18, 33, and 35.
 C - Includes Items 20 and 21.