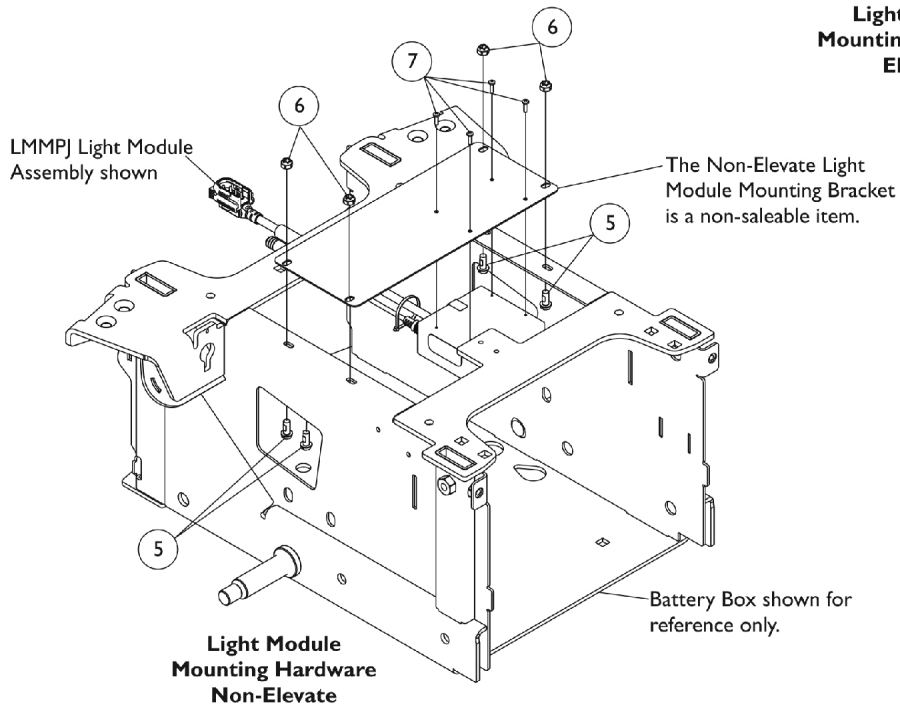
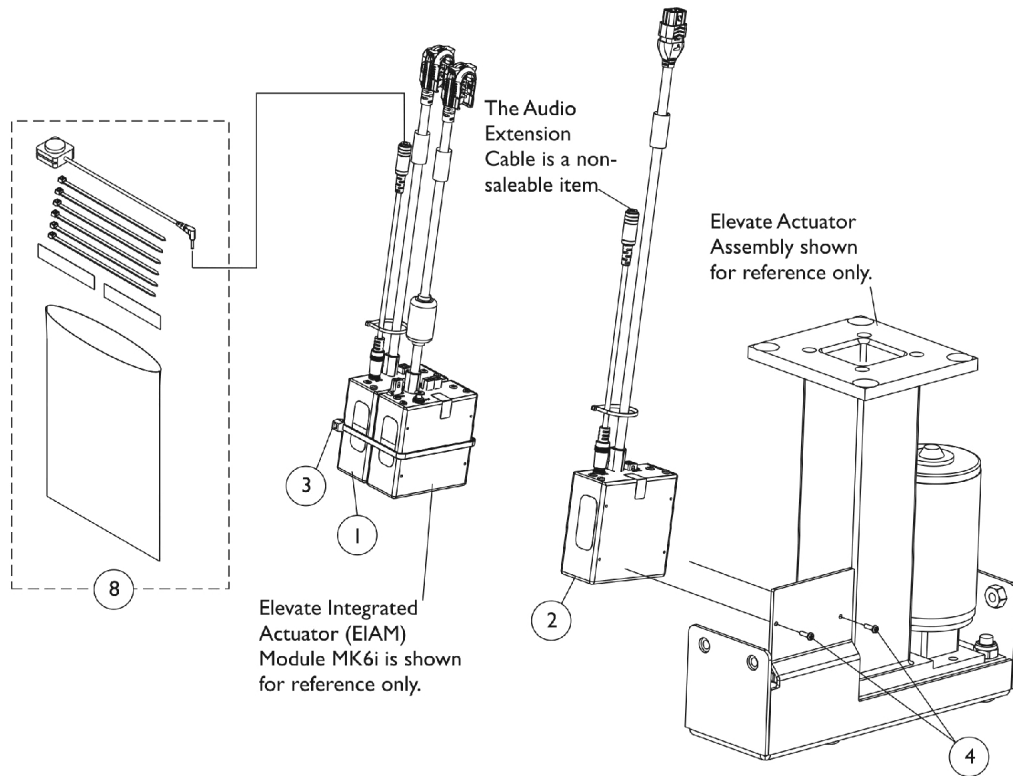


Light Module Assembly w/ Single Push Button Switch Kit (LMMPJ/LMSPJ) - FDX



Light Module Assembly w/ Single Push Button Switch Kit (LMMPJ/LMSPJ) - FDX

Item Number	Note	Part Number	Description	Quantity Per	
				Package	Assembly
1	A	1174873-NLA	NLA - Kit, Light Module Assembly (LMMPJ)	1	1
2	B	1174874-NLA	NLA - Kit, Light Module Assembly (LMSPJ)	1	1
3		1095502-NLA	NLA - Package, Tie Wrap (11-1/2" L)	10	1
4		1156640-NLA	NLA - Screw, Phillips Pan Head Tap (4-40 x 3/8")	1	2
5		1017423	Screw, Slotted Hex Washer Head w/ Patch (#10-32 x 1/2")	1	4
6		1108194-NLA	NLA - Locknut (#10-32)	1	4
7		1052041	Screw, Phillips Pan Head (#4-40 x 3/8")	1	4
8	C	1174878-NLA	NLA - Kit, Single Push Button Switch	1	1
<p>NOTE: A - Kit includes Light Module, (1) 1" Hook Adhesive Fastener, (10) Tie Wraps, Installation Instructions and Power Wheelchair Wiring Guide (not shown). The Hook and Loop Adhesive Back Fasteners attached between the two modules are non-saleable items.</p> <p>B - Kit includes Light Module, (10) Tie Wraps, Installation Instructions and Power Wheelchair Wiring Guide (not shown).</p> <p>C - Kit includes the Single Push Button Switch, (6) Tie Wraps, (1) Hook and Loop Adhesive Back Fastener, (1) Poly Bag, Installation Instructions and Power Wheelchair Wiring Guide. (not shown).</p>					