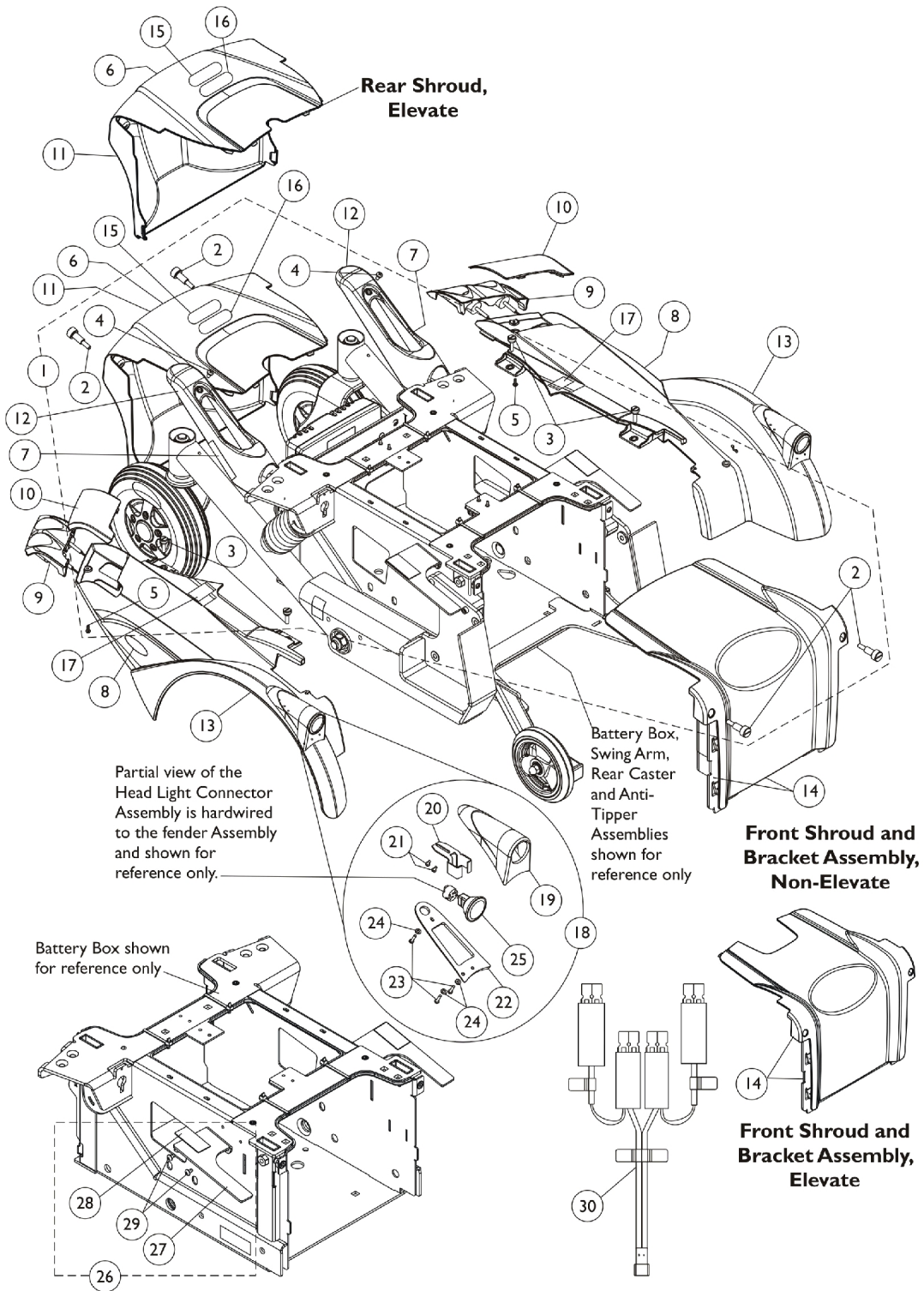


Shrouds and Hardware w/ Lights After 07/10/11



Shrouds and Hardware w/ Lights After 07/10/11

Item Number	Note	Part Number	Description	Quantity Per	
				Package	Assembly
1	A	1168901-NLA	NLA - Kit, Shrouds and Bezel Mounting Hardware	1	1
2			Screw, Thumb w/ Shoulder (M9.5 x 24.13mm, M6 x 1)	1	4
3			Screw, Thumb (M5 x .8 x 12mm)	1	4
4			Screw, Phillips Pan Head Tap (#10-32 x 3/8")	1	2
5			Screw, Phillips Pan Head SEMS w/ Patch (M3 x .5 x 10mm)	1	2
7		1167400-NLA	NLA - Decal, FDX Model, Swing Arm	1	2
8		1168380-NLA	NLA - Decal, Invacare Logo, Fender - Right	1	1
8		1168381-NLA	NLA - Decal, Invacare Logo, Fender - Left	1	1
9	B	1174876	Kit, Tail Light and Bezel Assembly - Right	1	1
9	B	1174875	Kit, Tail Light and Bezel Assembly - Left	1	1
10		60102804	Kit, Cover, Lighting Bezel Lens - Right	1	1
10		60102805	Kit, Cover, Lighting Bezel Lens - Left	1	1
11		See Chart	Item #11 Colored Rear Shroud	1	1
12		See Chart	Item #12 Colored Swing Arm Shroud	1	1
13		See Chart	Item #13 Kit, Colored Fender Shroud w/ Decal and Head Light Assembly	1	1
14		See Chart	Item #14 Colored Front Shroud and Bracket Assembly	1	1
15		1119281-NLA	NLA - Plate, Name, Patent Numbers	1	1
16		1035900	Decal, Transportation	1	1
17		1079203	Decal, Warning Pinch Point	1	2
18	C	1174879	Kit, Head Light Assembly - Right/Left	1	1
19			Housing, Head Light, Black	1	1
20			Bracket, Securing, Black	1	1
21			Screw, Phillips Pan Head (#4-20 x 1/4")	1	2
22			Bottom, Rubber	1	1
23			Screw, Phillips Pan Head (#4-40 x 1/2")	1	3
24			Washer, Plain (1/8 x 1/4 x 1/32")	1	3
25			Light Assembly	1	1
			Instruction Sheet, Installation	1	1
			Power Wheelchair Wiring Guide	1	1
26	D	1168979	Kit, Shroud Bracket and Hardware - Right	1	1
27			Bracket, Shroud, Black - Right	1	1
28			NLA - Fastener, Hook with Adhesive Back (1" W x 2" L)	1	1
29			Screw, Phillips Pan Head Tap (#10-32 x 3/8")	1	2
26	D	1168980	Kit, Shroud Bracket and Hardware - Left	1	1
27			Bracket, Shroud, Black - Left	1	1
28			NLA - Fastener, Hook with Adhesive Back (1" W x 2" L)	1	1
29			Screw, Phillips Pan Head Tap (#10-32 x 3/8")	1	2
30	E	1174877-NLA	NLA - Kit, Light Module Y-Cable Assembly	1	1

Shrouds and Hardware w/ Lights After 07/10/11

NOTE: A - Includes items 2-5.
 B - Tail Lights and Bezel are Hardwired together and individual components are not available. Kit also includes (2) Tie Wraps, Installation Instructions and Power Wheelchair Wiring Guide (not shown).
 C - Includes items 19-25, Installation Instructions and Power Wheelchair Wiring Guide (not shown). Individual components are not available.
 D - Includes items 27-29.
 E - Includes the Light Module Y-Cable Assembly, (10) Tie Wraps, Installation Instructions and Power Wheelchair Wiring Guide (not shown).

Item #6 Reflective Decal is not available for sale individually.

Item #11 Colored Rear Shroud

Description	Wet Black (24P)	Artic White (143P)	Electric Silver (147P)	Electric Red (61P)	Electric Blue (62P)
Rear Shroud w/ Decals, Elevate	1173514-NLA See Note(s) A	1173515-NLA See Note(s) A	1173516 See Note(s) B, A	1173517 See Note(s) A	1173518 See Note(s) A
Rear Shroud w/ Decals, Non-Elevate	1173519 See Note(s) A	1173520 See Note(s) A	1173521-NLA See Note(s) A, B	1173522 See Note(s) A	1173523 See Note(s) A

NOTE: A - The Controller is also covered by the Rear Shroud. Shroud includes items 6, 15 and 16.
 B - As of 11/2/11 Silver Metallic (60P) was replaced with Electric Silver (147P). Wheelchairs manufactured before 11/2/11 must order the Electric Silver (147P) Shroud and Hardware Conversion Kit dated Before 7/11/11.

Item #12 Colored Swing Arm Shroud

Description	Wet Black (24P)	Artic White (143P)	Electric Silver (147P)	Electric Red (61P)	Electric Blue (62P)
Swing Arm Shroud w/ Decal - Right	1173494 See Note(s) A	1173495 See Note(s) A	1173496-NLA See Note(s) B, A	1173497-NLA See Note(s) A	1173498-NLA See Note(s) A
Swing Arm Shroud w/ Decal - Left	1173499 See Note(s) A	1173500 See Note(s) A	1173501 See Note(s) B, A	1173502 See Note(s) A	1173503 See Note(s) A

NOTE: A - Shroud includes item #7 Decal.
 B - As of 11/2/11 Silver Metallic (60P) was replaced with Electric Silver (147P). Wheelchairs manufactured before 11/2/11 must order the Electric Silver (147P) Shroud and Hardware Conversion Kit dated Before 7/11/11.

Shrouds and Hardware w/ Lights After 07/10/11

Item #13 Kit, Colored Fender Shroud w/ Decal and Head Light Assembly

Description	Wet Black (24P)	Artic White (143P)	Electric Silver (147P)	Electric Red (61P)	Electric Blue (62P)
Kit, Fender Shroud w/ Decal and Head Light Assembly - Right	1174880 See Note(s) A2, A1	1174881 See Note(s) A2, A1	1174882 See Note(s) B, A2, A1	1174883 See Note(s) A2, A1	1174884 See Note(s) A2, A1
Kit, Fender Shroud w/ Decal and Head Light Assembly - Left	1174885 See Note(s) A2, A1	1174886 See Note(s) A2, A1	1174887 See Note(s) B, A2, A1	1174888 See Note(s) A2, A1	1174889 See Note(s) A2, A1
<p>NOTE: A1 - Fender Shroud includes item #8 Decal only. Item #17 Decal is not included. When a replacement Fender Shroud is requested, the Head Light Assembly will always be attached to the Fender Shroud also. Only the Head Light Assembly is sold separately as a Kit.</p> <p>A2 - The Fender Shroud also contains the Head Light Connector Assembly that is hardwired to the shroud and is not sold separately. Includes (2) Tie Wraps and Installation Instructions.</p> <p>B - As of 11/2/11 Silver Metallic (60P) was replaced with Electric Silver (147P). Wheelchairs manufactured before 11/2/11 must order the Electric Silver (147P) Shroud and Hardware Conversion Kit dated Before 7/11/11.</p>					

Item #14 Colored Front Shroud and Bracket Assembly

Description	Wet Black (24P)	Artic White (143P)	Electric Silver (147P)	Electric Red (61P)	Electric Blue (62P)
Front Shroud and Bracket Assembly, Elevate	1173482-NLA See Note(s) A	1173483-NLA See Note(s) A	1173484 See Note(s) B, A	1173485 See Note(s) A	1173486 See Note(s) A
Front Shroud and Bracket Assembly, Non-Elevate	1173489 See Note(s) A	1173490 See Note(s) A	1173491 See Note(s) B, A	1173492 See Note(s) A	1173493 See Note(s) A
<p>NOTE: A - Item #14 is sold as a complete assembly only.</p> <p>B - As of 11/2/11 Silver Metallic (60P) was replaced with Electric Silver (147P). Wheelchairs manufactured before 11/2/11 must order the Electric Silver (147P) Shroud and Hardware Conversion Kit dated Before 7/11/11.</p>					