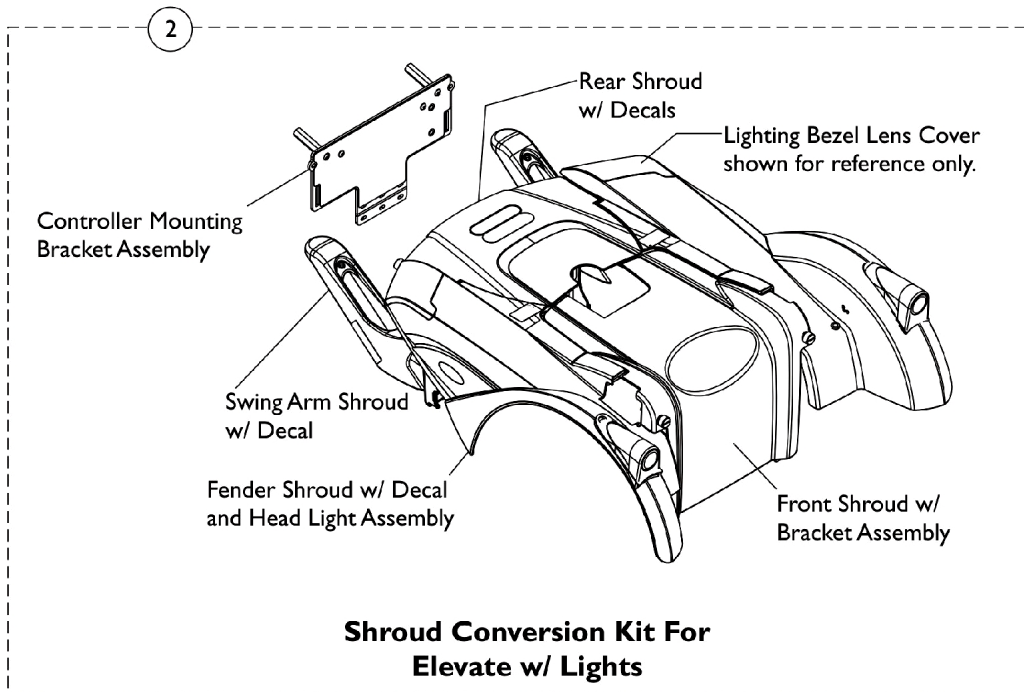
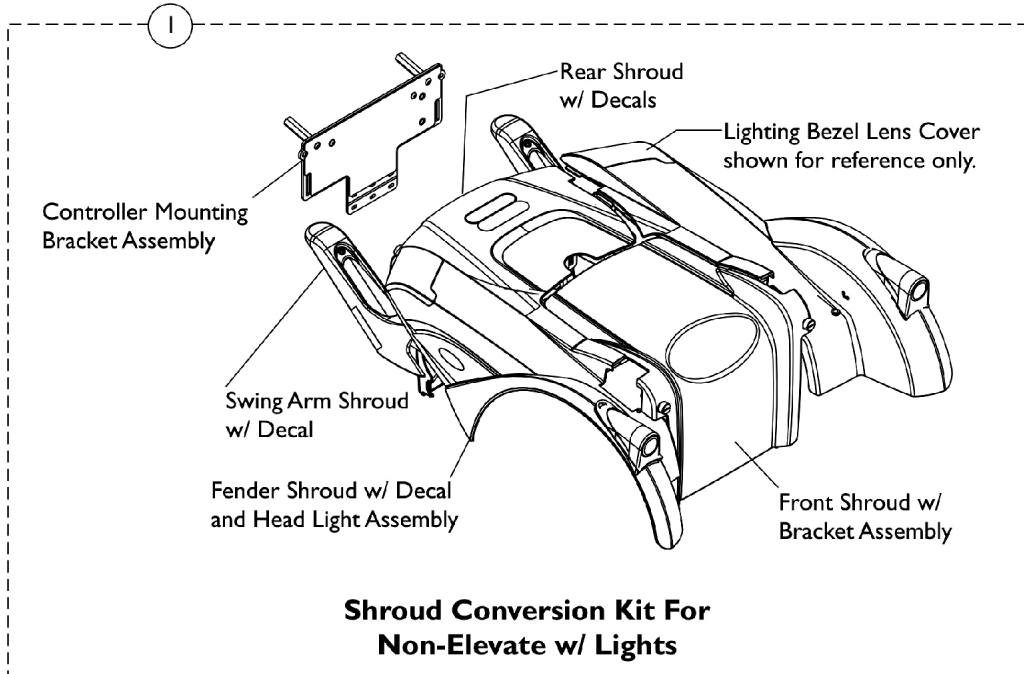


# Shrouds & Hardware - Conversion Kits w/ Lights Before 07/11/11

Shrouds manufactured before 07/11/11 are no longer available. Shroud Conversion Kits must be ordered.  
**NOTE:** Retrofit Kit to add Lights in the field is not available. The wheelchair must be returned to Invacare utilizing the Mechanical Repair Quote Form.



# Shrouds & Hardware - Conversion Kits

## w/ Lights Before 07/11/11

**Shrouds manufactured before 07/11/11 are no longer available. Shroud Conversion Kits must be ordered.**  
**NOTE: Retrofit Kit to add Lights in the field is not available. The wheelchair must be returned to Invacare utilizing the Mechanical Repair Quote Form.**

### Item #1 Shroud Conversion Kit

#### Non-Elevate w/ Lights

Shroud Color	Part Number
Wet Black (24P)	1174620-NLA See Note(s) A
Artic White (143P)	1174621-NLA See Note(s) A
Electric Silver (147P)	1174622-NLA See Note(s) B, A
Electric Red (61P)	1174623-NLA See Note(s) A
Electric Blue (62P)	1174624-NLA See Note(s) A
<p><b>NOTE:</b> A - Conversion Kit includes a revised Controller Mounting Bracket Assembly, Rear Shroud, Swing Arm Shrouds, Fender Shrouds w/ Head Light Assembly, Front Shroud w/ Bracket Assembly, Decals, Shrouds and Bezel Mounting Hardware, and Installation Instructions.</p> <p>B - As of 11/2/11 Silver Metallic (60P) was replaced with Electric Silver (147P). Wheelchairs manufactured before 11/2/11 must order the Electric Silver (147P) Shroud and Hardware Conversion Kit.</p>	

### Item #2 Shroud Conversion Kit

#### Elevate w/ Lights

Shroud Color	Part Number
Wet Black (24P)	1174625-NLA See Note(s) A
Artic White (143P)	1174626-NLA See Note(s) A
Electric Silver (147P)	1174627-NLA See Note(s) B, A
Electric Red (61P)	1174628-NLA See Note(s) A
Electric Blue (62P)	1174629-NLA See Note(s) A
<p><b>NOTE:</b> A - Conversion Kit includes a revised Controller Mounting Bracket Assembly, Rear Shroud, Swing Arm Shrouds, Fender Shrouds w/ Head Light Assembly, Front Shroud w/ Bracket Assembly, Decals, Shrouds and Bezel Mounting Hardware, and Installation Instructions.</p> <p>B - As of 11/2/11 Silver Metallic (60P) was replaced with Electric Silver (147P). Wheelchairs manufactured before 11/2/11 must order the Electric Silver (147P) Shroud and Hardware Conversion Kit.</p>	