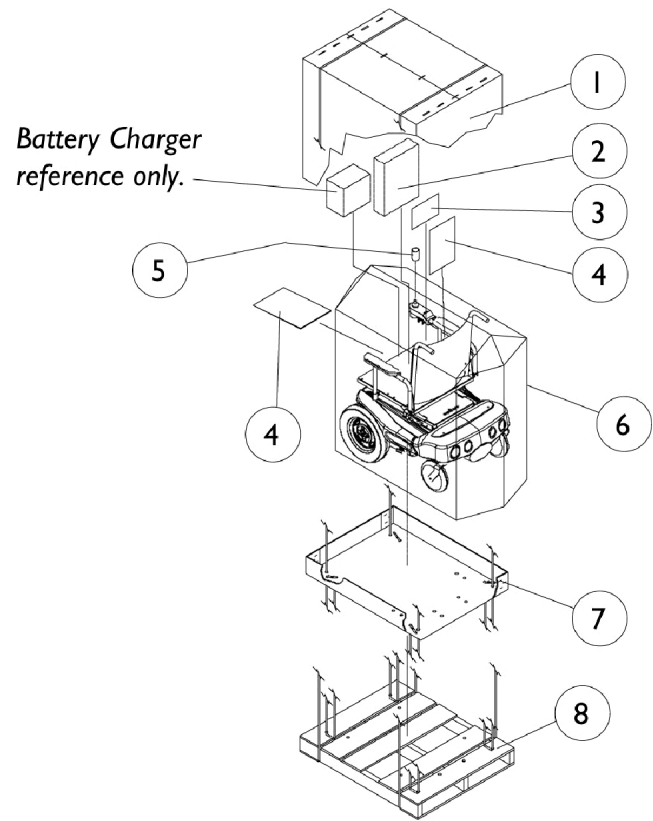
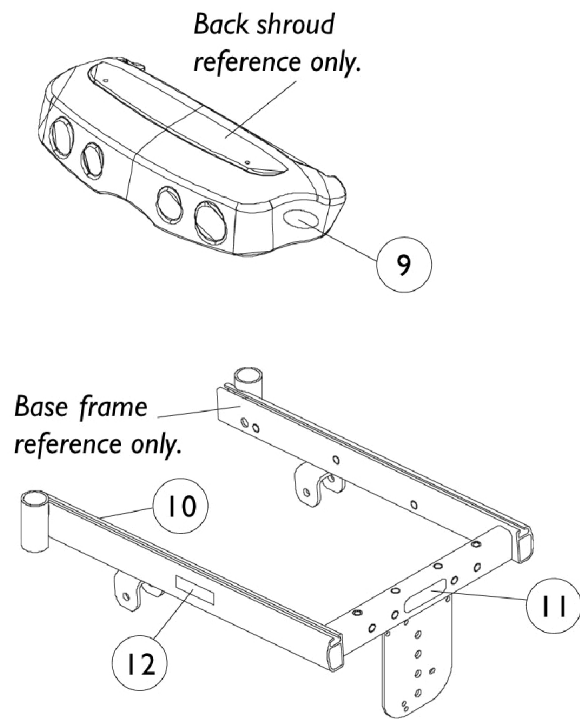


Packaging, Literature and Decals



Packaging, Literature and Decals

Item Number	Note	Part Number	Description	Quantity Per	
				Package	Assembly
1	E	1030364	Carton, Cover	1	1
1	F	1031682	Carton, Cover	1	1
1	G	1036028	Carton, Cover	1	1
1	H	1030365	Carton, Cover	1	1
2		40131X011-NLA	NLA - Carton, Front Riggings	1	1
3		1081227-NLA	NLA - Owner's Manual - Storm Series	1	1
4		40131X161	Insert, Plain Pad	1	2
5	A	1043198-NLA	NLA - Tube, Paper	1	1
6		1015592	Bag, Poly (72" L x 35" W x 19" D)	1	1
7		1030362	Carton, Tray	1	1
8	I	See Note	See Footnote	--	--
9		1095489	Decal, Invacare 3-D Logo (2-1/2" L)	1	2
10		1119281-NLA	NLA - Plate, Name, Patent Numbers	1	1
11		1035900	Decal, Transportation	1	1
12	B	1095228-NLA	NLA - Decal, Model, Black - Arrow	1	2
12		1095229-NLA	NLA - Decal, Model, White - Arrow	1	2
	C,D	1094013-NLA	NLA - Package, Decal, Black - Arrow	1	1
	C,D	1095494-NLA	NLA - Package, Decal, White - Arrow	1	1
	D,J	1012001-NLA	NLA - Carton, Joystick	1	1
	A,D	1079515-NLA	NLA - Kit, T-Nut with Instruction Sheet	1	1
	D	50000X121	Strap, Battery Lift	1	1
	D	00077X031-NLA	NLA - Warranty Card	1	1

NOTE: A - Used with Storm Base Only.
 B - Used for chairs with 29P and 30P frame color.
 C - Decal package includes model, transportation and patent numbers.
 D - Not Shown.
 E - 12"W - 20"W Non-Recliner, Extended, & H.B. Captain Seats 18"W
 F - 16"W - 20"W Recliner & 16"W - 20"W Non-Recliner w/ Medium/Tall Seat-to-Floor
 G - 21"W - 24"W Non-Recliner & Recliner, H.B. Captain Seat 22"W
 H - Base only and all A.S.B.A. seat only models.
 I - Wooden skid not supplied
 J - Order part #40131X011 to use as a replacement Joystick Carton also.

NOTE: When adjusting or replacing parts, please refer to your Owner's Manual for assistance.