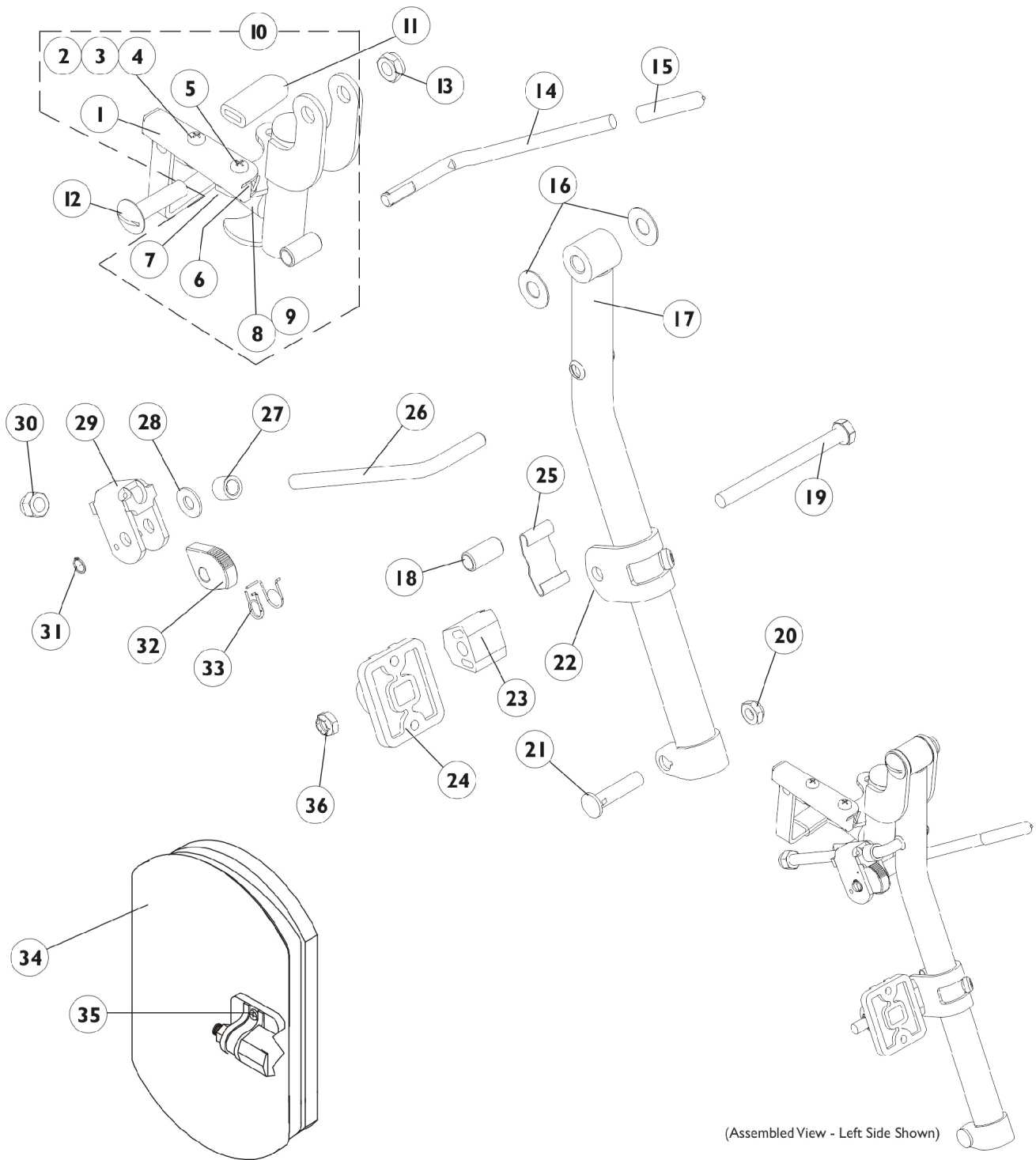


PH904A (Hemi) Legrest Supports

Due to a change to the Legrest Calf Pad size made on 4/23/12, you must also order the hardware kit (1068649) when ordering replacement Calf Pads.



(Assembled View - Left Side Shown)

PH904A (Hemi) Legrest Supports

Due to a change to the Legrest Calf Pad size made on 4/23/12, you must also order the hardware kit (1068649) when ordering replacement Calf Pads.

Item Number	Note	Part Number	Description	Quantity Per	
				Package	Assembly
1	D	1114749-NLA	NLA - Handle, Release, Black - Right	1	1
1	D	1114750-NLA	NLA - Handle, Release, Black - Left	1	1
2		1025716	Screw, Phillips Pan Head (#10-32 x 11/16")	1	1
3		47565X057	Bushing (7/32 x 3/8 x 11/32")	1	1
4		1025735	Locknut (#10-32)	1	1
5		1026114	Screw, Phillips Pan Head (#10-32 x 1/2")	1	1
6		1008935	Spring, Release - Right	1	1
6		1008936	Spring, Release - Left	1	1
7		67005X000	Rivnut (#10-32)	1	1
8		1030979	Screw, Phillips Pan Head Tap (#10-32 x 3/4")	1	1
9		1022874	Bumper	1	1
10	E	1114753	Legrest Support Assembly, Black - Right	1	1
10	E	1114754	Legrest Support Assembly, Black - Left	1	1
11		1006490	Tip, Plastic, Black	1	1
12		11919X000-NLA	NLA - Screw, Slotted Truss Head (3/8-16 x 1-1/2")	1	1
13		40363X000	Hex Nut (3/8"-16)	1	1
14		1037126	Handle, Release	1	1
15		1040060	Tip, Plastic, Black	1	1
16		1058636-NLA	NLA - Washer, Nylon (25/64 x 7/8 x 1/32")	1	2
17	A	8881048851	Tube, Elevating Adjustable Support, Color - Right	1	1
17	A	8881048852	Tube, Elevating Adjustable Support, Color - Left	1	1
18		47328X003	Bushing, Pivot (5/16 x 7/16 x 7/8")	1	1
19		1014807	Screw, Hex Head (5/16-24 x 3-1/4")	1	1
20		1107321	Nut, Low Cap (5/16"-24)	1	1
21		1026030	Bolt, Lug (5/16-24 x 1-3/8")	1	1
22		1110207	Bracket, Calf Pad Mounting, Black	1	1
23		1025133	Spacer, Legrest Pad, Black	1	1
24		04526X019	Plate, Legrest Pad	1	1
25		48823X008	Spring, Leaf	1	1
26		1113030	Bar, Ratchet	1	1
27		47330X003	Spacer (5/16 x 1/2 x 3/8")	1	2
28		1013519	Washer, Nylon (5/16 x 11/16 x 1/16")	1	1
29		04528X002	Bracket, Release, Black	1	1
30		10261X000	Nut, Acorn (5/16-24)	1	1
31		1040831	Ring, Snap	1	1
32		1037125	Cam, Legrest	1	1
33		1037485	Spring, Release	1	1
34	B,G	8881091764	Pad, Legrest, Vinyl - Right/Left	1	1
35	F	1068649	Hardware, Legrest Pad	1	1
			Screw, Phillips Pan Head (#10-32 x 11/16")	1	2
			Screw, Phillips Pan Head (#10-32 x 1")	1	2
			Instruction Sheet, Legrest Pad Mtg.	1	1
36		1025730	Locknut (5/16-24)	1	1
	A,C,H	8881114757	Legrest Support Assembly, Hemi, Color - Right	1	1
	A,C,H	8881114758	Legrest Support Assembly, Hemi, Color - Left	1	1

PH904A (Hemi) Legrest Supports

Due to a change to the Legrest Calf Pad size made on 4/23/12, you must also order the hardware kit (1068649) when ordering replacement Calf Pads.

NOTE: A - Specify 34P flat black frame finish when ordering
B - Specify upholstery color U67 black when ordering
C - Not Shown
D - Includes items 2-4
E - Includes items 1-9
F - Includes Screws and Instruction Sheet.
G - Due to a change to the Legrest Calf Pad size made on 4/23/12, you must also order the hardware kit (1068649) when ordering replacement Calf Pads.
H - Includes items 1-33 and 36.