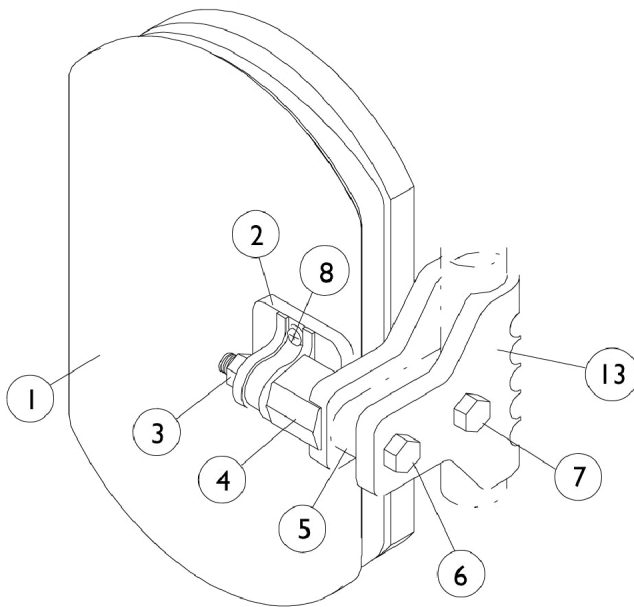
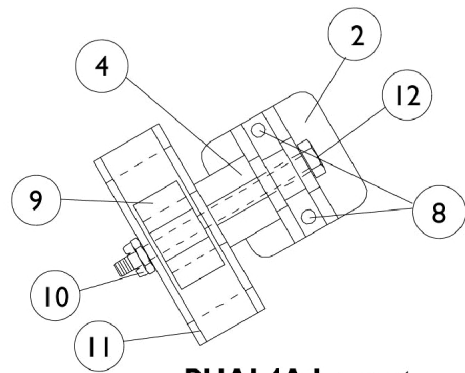


# Calf Pads and Mounting Hardware

NOTE: For replacement calf pads for Power Articulating Legrest, see Power Articulating Legrest page.



**AT5544 Legrest.**



**PHAL4A Legrest**

## Calf Pads and Mounting Hardware

**NOTE: For replacement calf pads for Power Articulating Legrest, see Power Articulating Legrest page.**

Item Number	Note	Part Number	Description	Quantity Per	
				Package	Assembly
1	A,C	8881091759	Pad w/ Cover and Screws, Legrest Vinyl (Pair)	2	1
1	A,C	8881091764	Pad, Legrest, Vinyl - Right/Left	1	1
2		04526X019	Plate, Legrest Pad	1	1
3		7930330-NLA	NLA - Locknut (5/16-24)	25	1
4		1025133	Spacer, Legrest Pad, Black	1	1
5		1032267	Spacer, Legrest Pad Mounting, Black	1	1
6		1037110	Screw, Hex Head (5/16-24 x 3-1/2")	1	1
7		1028514	Screw, Hex Head (5/16-24 x 1-1/2")	1	1
8	B	1066591	Hardware, Legrest Pad	1	1
			Screw, Phillips Pan Head (#10-32 x 11/16")	1	2
			Screw, Phillips Pan Head (#10-32 x 1")	1	2
			Instruction Sheet, Legrest Pad Mtg.	1	1
9		48823X008	Spring, Leaf	1	1
10		7930363-NLA	NLA - Package, Locknut (5/16"-24)	25	2
11		1025104	Bracket, Legrest, Chrome	1	1
12		1014807	Screw, Hex Head (5/16-24 x 3-1/4")	1	1
13		1032266	Bracket, Legrest Pad Mounting, Black	1	1

**NOTE:** A - Specify upholstery color. See page titled "Frame Finishes, Touch-Up Paints and Upholstery Options".  
 B - Item includes Screws and Instruction Sheet.  
 C - Due to a change to the Legrest Calf Pad size made on 4/23/12, you must also order the hardware kit (1066591) when ordering replacement Calf Pads.