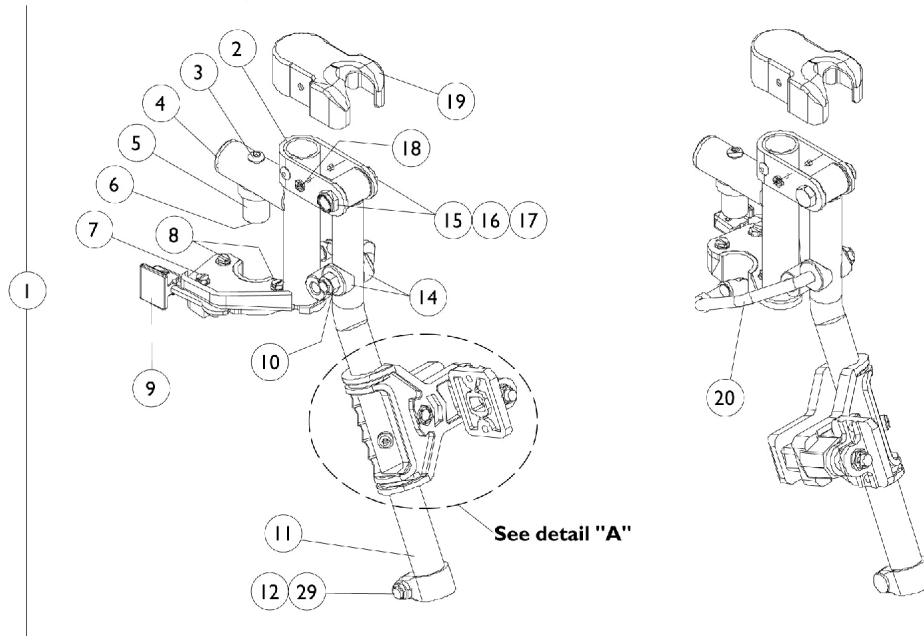


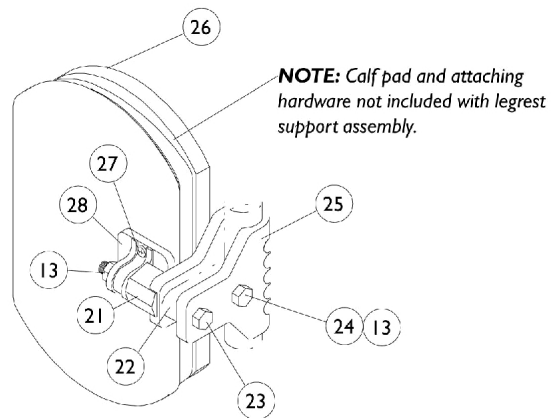
AT5544P Legrest Supports - Mechanical (Sector Style) 16"-22" Wide Chairs

Due to a change to the Legrest Calf Pad size made on 4/23/12, you must also order the hardware kit (1066591) when ordering replacement Calf Pads.



Right Legrest Support Assembly

Left Legrest Support Assembly



Detail
"A"

AT5544P Legrest Supports - Mechanical

(Sector Style) 16"-22" Wide Chairs

Due to a change to the Legrest Calf Pad size made on 4/23/12, you must also order the hardware kit (1066591) when ordering replacement Calf Pads.

Item Number	Note	Part Number	Description	Quantity Per	
				Package	Assembly
1	A	1087050-NLA	NLA - Legrest Support Assembly, Sector, Black - Right	1	1
1	A	1087051-NLA	NLA - Legrest Support Assembly, Sector, Black - Left	1	1
2		1094266-NLA	NLA - Support, Legrest, Black - Right	1	1
2		1094267-NLA	NLA - Support, Legrest, Black - Left	1	1
3		7930301-NLA	NLA - Package, Button Head Cap Screw (1/4-20 x 1-3/4")	25	1
4		1029501	Plug Button, Black (1")	1	1
5		1017148	Pivot, Footrest	1	1
6		7930333	Locknut (1/4-20)	25	1
7		7930314	Package, Screw, Slotted Hex Washer Head (#10-32 x 1/2")	25	1
8		1025451	Screw, Slotted Hex Washer Head (#10-32 x 5/8")	1	2
9		1025454	Housing, Latch - Right	1	1
9		1025455	Housing, Latch - Left	1	1
10		1026158	Locknut (5/16-18)	1	1
11		1043556-NLA	NLA - Tube, Elevating Adjustable Support, Black - Right	1	1
11		1043557-NLA	NLA - Tube, Elevating Adjustable Support, Black - Left	1	1
12		1026030	Bolt, Lug (5/16-24 x 1-3/8")	1	1
13		1025730	Locknut (5/16-24)	1	2
14		1082908-NLA	NLA - Spacer, Coved (5/16 x 29/32 x 7/16")	1	2
15		11919X000-NLA	NLA - Screw, Slotted Truss Head (3/8-16 x 1-1/2")	1	1
16		40363X000	Hex Nut (3/8"-16)	1	1
17		1058636-NLA	NLA - Washer, Nylon (25/64 x 7/8 x 1/32")	1	2
18		1025729	Screw, Phillips Pan Head Tap (#8-32 x 3/8")	1	2
19		1017187	Cover, Top	1	1
20		1092666-NLA	NLA - Rod, Legrest Elevating - Right	1	1
20		1092667-NLA	NLA - Rod, Legrest Elevating - Left	1	1
21		1025133	Spacer, Legrest Pad, Black	1	1
22		1032267	Spacer, Legrest Pad Mounting, Black	1	1
23		1037110	Screw, Hex Head (5/16-24 x 3-1/2")	1	1
24		1028514	Screw, Hex Head (5/16-24 x 1-1/2")	1	1
25		1032266	Bracket, Legrest Pad Mounting, Black	1	1
26	B,D	8881091759	Pad w/ Cover and Screws, Legrest Vinyl (Pair)	2	1
26	B,D	8881091764	Pad, Legrest, Vinyl - Right/Left	1	1
26		01415X000-NLA	NLA - Cover, Legrest Pad	1	1
27	C	1066591	Hardware, Legrest Pad	1	1
			Screw, Phillips Pan Head (#10-32 x 11/16")	1	2
			Screw, Phillips Pan Head (#10-32 x 1")	1	2
			Instruction Sheet, Legrest Pad Mtg.	1	1
28		04526X019	Plate, Legrest Pad	1	1
29		1107321	Nut, Low Cap (5/16"-24)	1	1

AT5544P Legrest Supports - Mechanical (Sector Style) 16"-22" Wide Chairs

Due to a change to the Legrest Calf Pad size made on 4/23/12, you must also order the hardware kit (1066591) when ordering replacement Calf Pads.

NOTE: A - Includes Items 2-25 and 29
B - Specify U67 black upholstery when ordering
C - Item includes Screws and Instruction Sheet.
D - Due to a change to the Legrest Calf Pad size made on 4/23/12, you must also order the hardware kit (1066591) when ordering replacement Calf Pads.