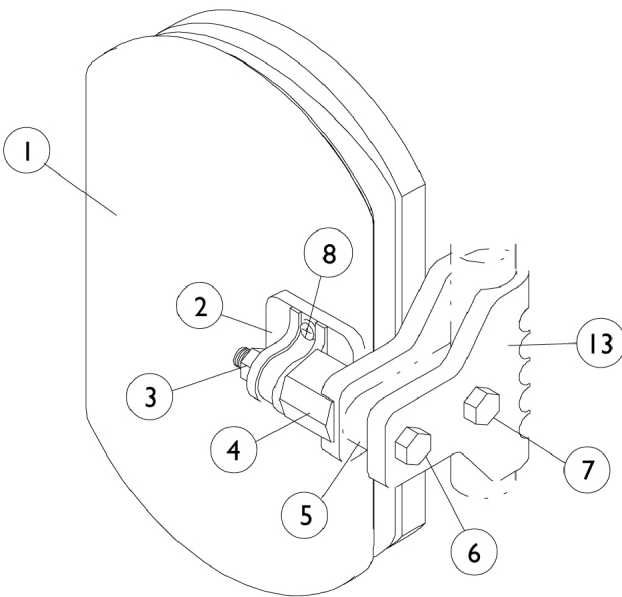
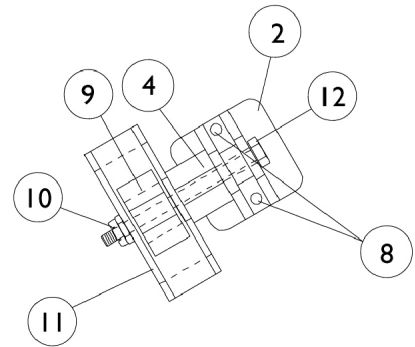


# Calf Pads and Attaching Hardware

Due to a change to the Legrest Calf Pad size made on 4/23/12, you must also order the hardware kit (1066591) when ordering replacement Calf Pads.



P904A,AT5544  
Legrest.



PAS4A/PAL4A  
Articulating Legrest

# Calf Pads and Attaching Hardware

Due to a change to the Legrest Calf Pad size made on 4/23/12, you must also order the hardware kit (1066591) when ordering replacement Calf Pads.

Item Number	Note	Part Number	Description	Quantity Per	
				Package	Assembly
1	A,B,D,G	8881091759	Pad w/ Cover and Screws, Legrest Vinyl (Pair)	2	1
1	A,C,D,G	8881091764	Pad, Legrest, Vinyl - Right/Left	1	1
1	A,E,G	88804529X003	Pad, Legrest, Vinyl - Right	1	1
1	A,E,G	88804529X004	Pad, Legrest, Vinyl - Left	1	1
1		01415X000-NLA	NLA - Cover, Legrest Pad	1	1
2		04526X019	Plate, Legrest Pad	1	1
3		7930330-NLA	NLA - Locknut (5/16-24)	25	1
4		1025133	Spacer, Legrest Pad, Black	1	1
5		1032267	Spacer, Legrest Pad Mounting, Black	1	1
6		1037110	Screw, Hex Head (5/16-24 x 3-1/2")	1	1
7		1028514	Screw, Hex Head (5/16-24 x 1-1/2")	1	1
8		1066591	Hardware, Legrest Pad	1	1
			Screw, Phillips Pan Head (#10-32 x 11/16")	1	2
			Screw, Phillips Pan Head (#10-32 x 1")	1	2
			Instruction Sheet, Legrest Pad Mtg.	1	1
9		48823X008	Spring, Leaf	1	1
10		7930363-NLA	NLA - Package, Locknut (5/16"-24)	25	2
11		1025104	Bracket, Legrest, Chrome	1	1
12		1014807	Screw, Hex Head (5/16-24 x 3-1/4")	1	1
13		1032266	Bracket, Legrest Pad Mounting, Black	1	1
<p>NOTE: A - Specify U67 black upholstery color when ordering.            B - Before 9/5/00            C - After 9/4/00            D - 16-22" Wide            E - 14-15" Wide            G - Due to a change to the Legrest Calf Pad size made on 4/23/12, you must also order the hardware kit (1066591) when ordering replacement Calf Pads.</p>					