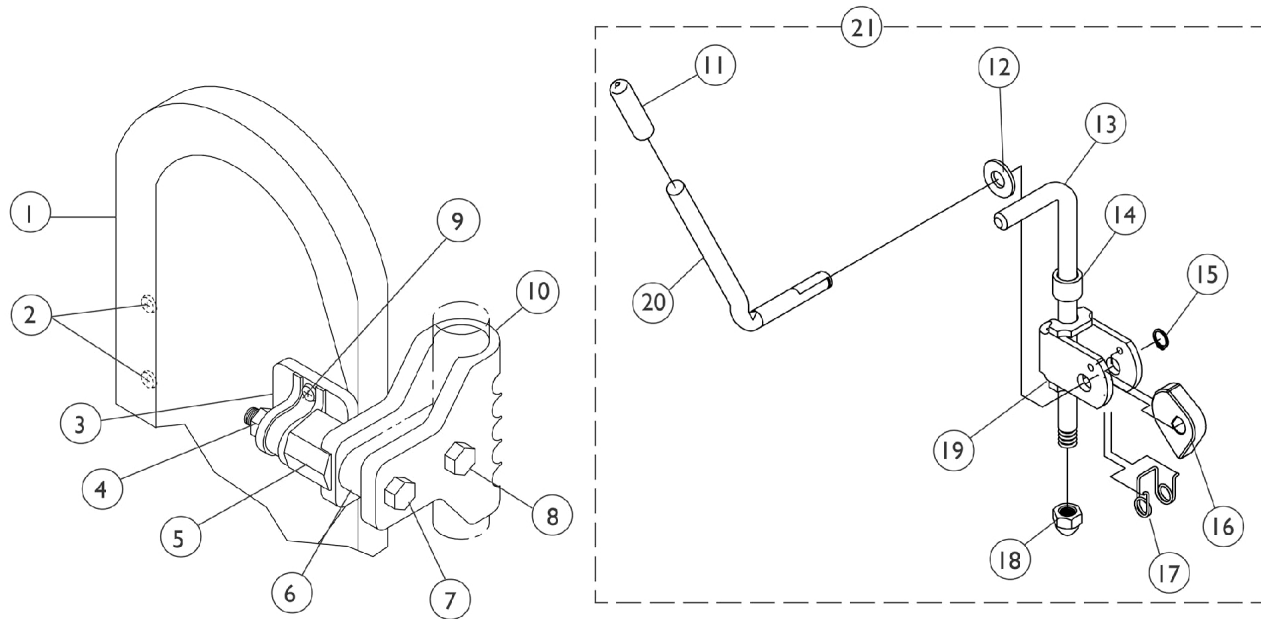


Legrest Calf Pads and Ratchet Assemblies

Due to a change to the Legrest Calf Pad size made on 4/23/12, you must also order the hardware kit (1066591) when ordering replacement Calf Pads.



Legrest Calf Pads and Ratchet Assemblies

Due to a change to the Legrest Calf Pad size made on 4/23/12, you must also order the hardware kit (1066591) when ordering replacement Calf Pads.

Item Number	Note	Part Number	Description	Quantity Per	
				Package	Assembly
1	A,B,E	88804529X003	Pad, Legrest, Vinyl - Right	1	1
1	A,B,E	88804529X004	Pad, Legrest, Vinyl - Left	1	1
1	A,C,E	8881091764	Pad, Legrest, Vinyl - Right/Left	1	1
2		40163X006-NLA	NLA - Screw, Phillips Pan Head (#10-14 x 1/16")	1	2
3		04526X019	Plate, Legrest Pad	1	1
4		1025730	Locknut (5/16-24)	1	1
5		1025133	Spacer, Legrest Pad, Black	1	1
6		1032267	Spacer, Legrest Pad Mounting, Black	1	1
7		1037110	Screw, Hex Head (5/16-24 x 3-1/2")	1	1
8		1028514	Screw, Hex Head (5/16-24 x 1-1/2")	1	1
9	D	1066591	Hardware, Legrest Pad	1	1
			Screw, Phillips Pan Head (#10-32 x 11/16")	1	2
			Screw, Phillips Pan Head (#10-32 x 1")	1	2
			Instruction Sheet, Legrest Pad Mtg.	1	1
10		1032266	Bracket, Legrest Pad Mounting, Black	1	1
11		1040060	Tip, Plastic, Black	1	1
12		1013519	Washer, Nylon (5/16 x 11/16 x 1/16")	1	1
13		42326X001	Bar, Ratchet	1	1
14		47330X003	Spacer (5/16 x 1/2 x 3/8")	1	2
15		1040831	Ring, Snap	1	1
16		1037125	Cam, Legrest	1	1
17		1037485	Spring, Release	1	1
18		10261X000	Nut, Acorn (5/16-24)	1	1
19		04528X002	Bracket, Release, Black	1	1
20		1037126	Handle, Release	1	1
21		1096974	Kit, Elevating Legrest Ratchet Hardware (Pair)	2	1

NOTE: A - Specify U67 upholstery color when ordering.
 B - 14-15" Wide Chairs
 C - 16-22" Wide Chairs
 D - Includes Screws and Instruction Sheet.
 E - Due to a change to the Legrest Calf Pad size made on 4/23/12, you must also order the hardware kit (1066591) when ordering replacement Calf Pads.