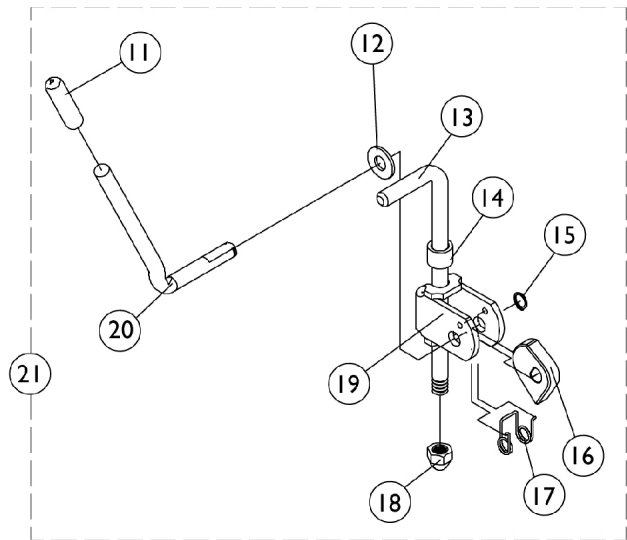
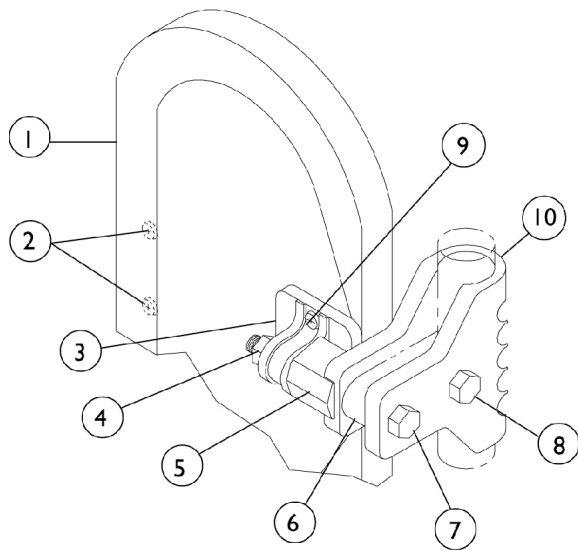


Legrest Calf Pads and Ratchet Assembly

Legrest Support does not include Legrest Pad. Due to a change to the Legrest Calf Pad size made on 4/23/12, you must also order the hardware kit (1066591) when ordering replacement Calf Pads.



Legrest Calf Pads and Ratchet Assembly

Legrest Support does not include Legrest Pad. Due to a change to the Legrest Calf Pad size made on 4/23/12, you must also order the hardware kit (1066591) when ordering replacement Calf Pads.

Item Number	Note	Part Number	Description	Quantity Per	
				Package	Assembly
1	A,B,I	88804529X003	Pad, Legrest, Vinyl - Right	1	1
1	A,B,I	88804529X004	Pad, Legrest, Vinyl - Left	1	1
1	A,C,G,I	8881091764	Pad, Legrest, Vinyl - Right/Left	1	1
2		40163X006-NLA	NLA - Screw, Phillips Pan Head (#10-14 x 1/16")	1	1
3		04526X019	Plate, Legrest Pad	1	1
4		1025730	Locknut (5/16-24)	1	1
5		1025133	Spacer, Legrest Pad, Black	1	1
6		1032267	Spacer, Legrest Pad Mounting, Black	1	1
7		1037110	Screw, Hex Head (5/16-24 x 3-1/2")	1	1
8		1028514	Screw, Hex Head (5/16-24 x 1-1/2")	1	1
9	H	1066591	Hardware, Legrest Pad	1	1
			Screw, Phillips Pan Head (#10-32 x 11/16")	1	2
			Screw, Phillips Pan Head (#10-32 x 1")	1	2
			Instruction Sheet, Legrest Pad Mtg.	1	1
10		1032266	Bracket, Legrest Pad Mounting, Black	1	1
11		1040060	Tip, Plastic, Black	1	2
12		1013519	Washer, Nylon (5/16 x 11/16 x 1/16")	1	2
13	D	42326X004	Bar, Ratchet - Right/Left	1	2
13	E	42326X001	Bar, Ratchet	1	2
14		47330X003	Spacer (5/16 x 1/2 x 3/8")	1	2
15		1040831	Ring, Snap	1	2
16		1037125	Cam, Legrest	1	2
17		1037485	Spring, Release	1	2
18		10261X000	Nut, Acorn (5/16-24)	1	2
19		04528X002	Bracket, Release, Black	1	2
20		1037126	Handle, Release	1	2
21	D,G	1046329	Kit, Elevating Legrest Ratchet Hardware (Pair)	2	1
21	E,G	1096974	Kit, Elevating Legrest Ratchet Hardware (Pair)	2	1
	D,F,J	1042798-NLA	NLA - Instruction Sheet, Ratchet Kit	1	1
	E,F,K	1096943-NLA	NLA - Instruction Sheet, Ratchet Kit	1	1

NOTE: A - Specify U67 upholstery color when ordering.
 B - 14-15" wide chairs
 C - 16-22" wide chairs
 D - ATL4A Articulating Legrests
 E - Used only on Ratchet Style AT5044 Elevating Legrests
 F - Not Shown
 G - Includes items 11-20 plus instruction sheet
 H - Item includes Screws and Instruction Sheet.
 I - Legrest Support does not include Legrest Pad. Due to a change to the Legrest Calf Pad size made on 4/23/12, you must also order the hardware kit (1066591) when ordering replacement Calf Pads.
 J - Item is no longer available from the Invacare Service Parts Department. Refer to the Invacare Website under "Product Literature Search". Enter the part number in the "Keywords" field and download a free PDF version copy.
 K - Item is no longer available from the Invacare Service Parts Department. Refer to the Invacare Website under "Product Literature Search". Enter the part number in the "Keywords" field and download a free PDF version copy.