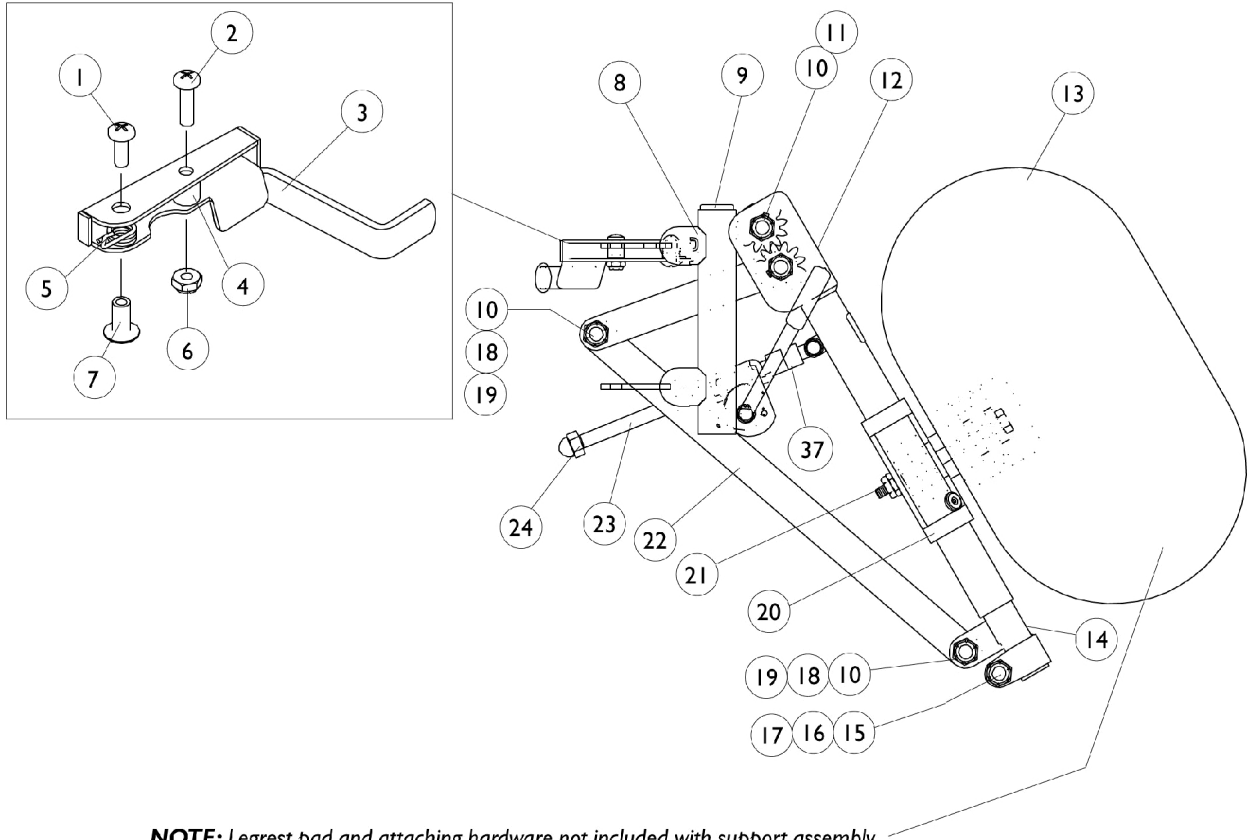
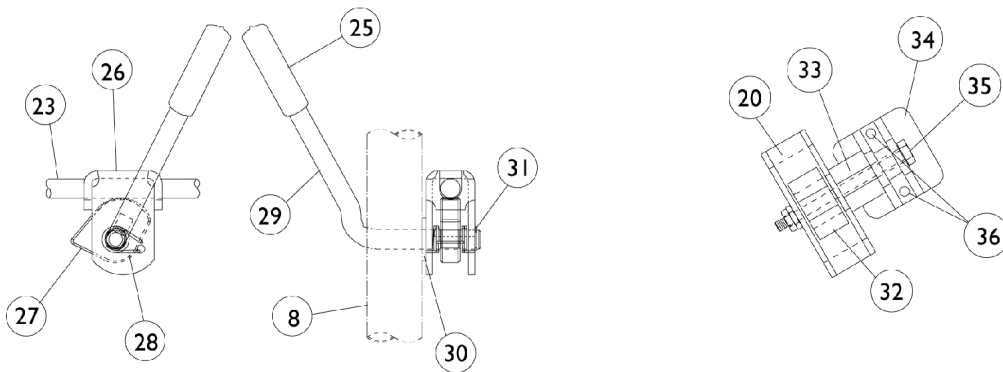


PAS4A/PAL4A Articulating Legrests

Due to a change to the Legrest Calf Pad size made on 4/23/12, you must also order the hardware kit (1066591) when ordering replacement Calf Pads.



NOTE: Legrest pad and attaching hardware not included with support assembly.



PAS4A/PAL4A Articulating Legrests

Due to a change to the Legrest Calf Pad size made on 4/23/12, you must also order the hardware kit (1066591) when ordering replacement Calf Pads.

PAS4A/PAL4A Legrests

| Item Number | Note | Part Number | Description | Quantity Per | |
|-------------|------|---------------|---|--------------|----------|
| | | | | Package | Assembly |
| 1 | | 7930328-NLA | NLA - Package, Screw, Phillips Pan Head (#10-32 x 11/16") | 25 | 1 |
| 2 | | 7930335-NLA | NLA - Package, Screw, Phillips Pan Head (#10-32 x 1/2") | 25 | 1 |
| | B,C | 1026107 | Screw, Phillips Pan Head (#10-32 x 1-3/8") | 1 | 1 |
| | B,C | 1028485-NLA | NLA - Nut, Hex (#10-32) | 1 | 1 |
| 3 | | 1035539 | Handle, Release, Black - Right | 1 | 1 |
| 3 | | 1035540 | Handle, Release, Black - Left | 1 | 1 |
| | B,C | 1006490 | Tip, Plastic, Black | 1 | 1 |
| 4 | | 47565X057 | Bushing (7/32 x 3/8 x 11/32") | 1 | 1 |
| 5 | | 1028707 | Spring, Release - Right | 1 | 1 |
| 5 | | 1028708 | Spring, Release - Left | 1 | 1 |
| 6 | | 7930332-NLA | NLA - Locknut, High Profile (#10-32) | 25 | 1 |
| 7 | | 1028846-NLA | NLA - Rivnut (#10-32) | 1 | 1 |
| 8 | | 1058478-NLA | NLA - Tube, Legrest Support - Right | 1 | 1 |
| 8 | | 1058479-NLA | NLA - Tube, Legrest Support - Left | 1 | 1 |
| 9 | | 1027097 | Plug Button, Black (3/4") | 1 | 1 |
| 10 | | 40363X000 | Hex Nut (3/8"-16) | 1 | 3 |
| 11 | | 1022854-NLA | NLA - Screw, Shoulder Slotted Head (1/2 x 1-1/8", 3/8-16) | 1 | 1 |
| 12 | | 1022877-NLA | NLA - Tube, Support and Drive Link, Chrome - Right | 1 | 1 |
| 12 | | 1022878-NLA | NLA - Tube, Support and Drive Link, Chrome - Left | 1 | 1 |
| 13 | A,F | 8881091759 | Pad w/ Cover and Screws, Legrest Vinyl (Pair) | 2 | 1 |
| 13 | A,F | 8881091764 | Pad, Legrest, Vinyl - Right/Left | 1 | 1 |
| 13 | F | 01415X000-NLA | NLA - Cover, Legrest Pad | 1 | 1 |
| 13 | A,F | 88804529X003 | Pad, Legrest, Vinyl - Right | 1 | 1 |
| 13 | A,F | 88804529X004 | Pad, Legrest, Vinyl - Left | 1 | 1 |
| 14 | | 1022848 | Tube, Slide, Articulating, Chrome - Right | 1 | 1 |
| 14 | | 1022849 | Tube, Slide, Articulating, Chrome - Left | 1 | 1 |
| 15 | | 1027377 | Washer (#20) | 1 | 1 |
| 16 | | 7930363-NLA | NLA - Package, Locknut (5/16"-24) | 25 | 1 |
| 17 | | 11232X009 | Bolt, Lug (5/16-24 x 1-3/8") | 1 | 1 |
| 18 | | 1022866-NLA | NLA - Screw, Socket Button Head (3/8-16 x 3/4") | 1 | 2 |
| 19 | | 1049527 | Washer, Nylon (3/8 x 3/4 x 1/16") | 1 | 2 |
| 20 | | 1025104 | Bracket, Legrest, Chrome | 1 | 1 |
| 21 | | 7930363-NLA | NLA - Package, Locknut (5/16"-24) | 25 | 2 |
| 22 | | 1022846-NLA | NLA - Bar, Link, Black | 1 | 1 |
| 23 | | 1023811-NLA | NLA - Bar, Ratchet - Right | 1 | 1 |
| 23 | | 1023812-NLA | NLA - Bar, Ratchet - Left | 1 | 1 |
| 24 | | 7930336-NLA | NLA - Nut, Acorn (5/16-24) | 25 | 1 |
| 25 | | 1040060 | Tip, Plastic, Black | 1 | 1 |
| 26 | | 04528X002 | Bracket, Release, Black | 1 | 1 |
| 27 | | 1037125 | Cam, Legrest | 1 | 1 |
| 28 | | 1037485 | Spring, Release | 1 | 1 |
| 29 | | 1037126 | Handle, Release | 1 | 1 |

PAS4A/PAL4A Articulating Legrests

Due to a change to the Legrest Calf Pad size made on 4/23/12, you must also order the hardware kit (1066591) when ordering replacement Calf Pads.

| Item Number | Note | Part Number | Description | Quantity Per | |
|---|------|-------------|---|--------------|----------|
| | | | | Package | Assembly |
| 30 | | 7930310-NLA | NLA - Washer, Nylon (5/16 x 11/16 x 1/16") | 25 | 1 |
| 31 | | 1040831 | Ring, Snap | 1 | 1 |
| 32 | | 48823X008 | Spring, Leaf | 1 | 1 |
| 33 | | 1025133 | Spacer, Legrest Pad, Black | 1 | 1 |
| 34 | | 04526X019 | Plate, Legrest Pad | 1 | 1 |
| 35 | | 1014807 | Screw, Hex Head (5/16-24 x 3-1/4") | 1 | 1 |
| 36 | E | 1066591 | Hardware, Legrest Pad | 1 | 1 |
| | | | Screw, Phillips Pan Head (#10-32 x 11/16") | 1 | 2 |
| | | | Screw, Phillips Pan Head (#10-32 x 1") | 1 | 2 |
| | | | Instruction Sheet, Legrest Pad Mtg. | 1 | 1 |
| 37 | | 47330X003 | Spacer (5/16 x 1/2 x 3/8") | 1 | 2 |
| | C,D | 1058482-NLA | NLA - Legrest Support Assembly, Articulating, Adult, Chrome - Right | 1 | 1 |
| | C,D | 1058483-NLA | NLA - Legrest Support Assembly, Articulating, Adult, Chrome - Left | 1 | 1 |
| <p>NOTE: A - Specify frame color when ordering, see page titled "Frame Finishes, Touch-Up Paints and Upholstery Options." B - These items are only required on Release Handles for chairs built before 10/1/00 C - Not Shown D - Chrome 14" to 20" E - Item includes Screws and Instruction Sheet. F - Due to a change to the Legrest Calf Pad size made on 4/23/12, you must also order the hardware kit (1066591) when ordering replacement Calf Pads.</p> | | | | | |