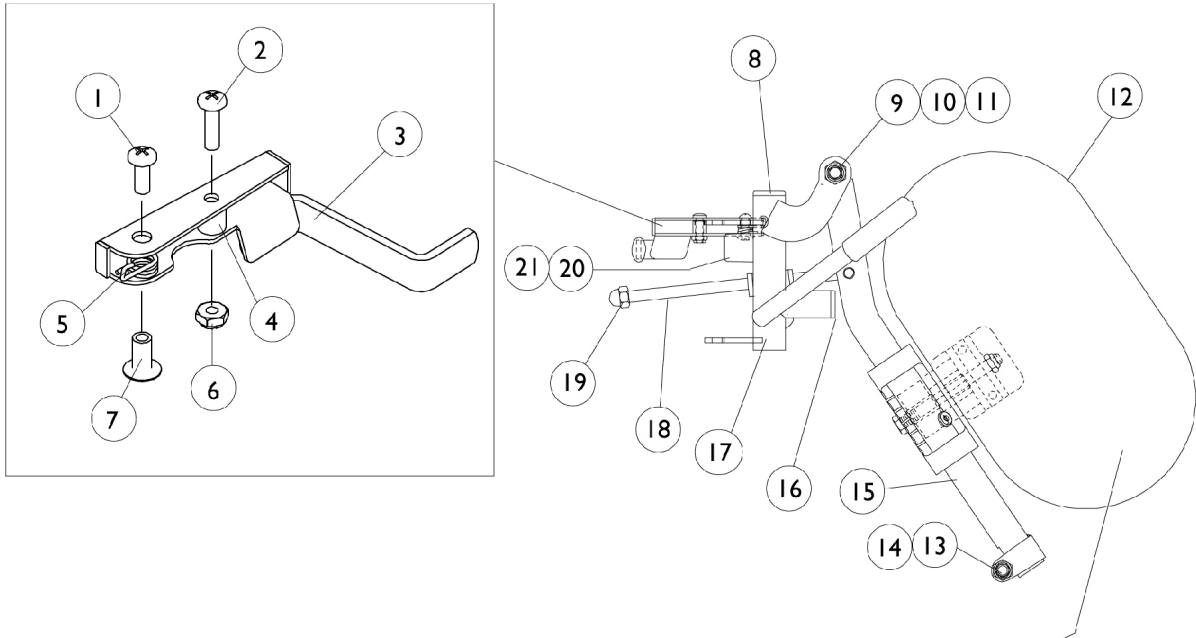
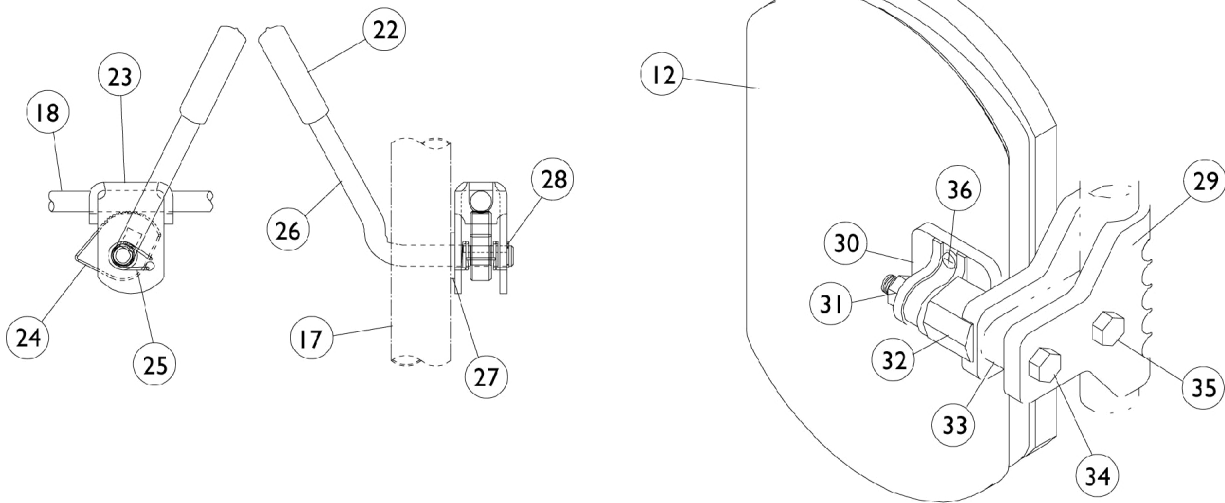


P904A Legrest Supports

Due to a change to the Legrest Calf Pad size made on 4/23/12, you must also order the hardware kit (1066591) when ordering replacement Calf Pads.



NOTE: Legrest pad and attaching hardware not included with support assembly.



P904A Legrest Supports

Due to a change to the Legrest Calf Pad size made on 4/23/12, you must also order the hardware kit (1066591) when ordering replacement Calf Pads.

P904A Legrest

Item Number	Note	Part Number	Description	Quantity Per	
				Package	Assembly
1		7930328-NLA	NLA - Package, Screw, Phillips Pan Head (#10-32 x 11/16")	25	2
2		7930335-NLA	NLA - Package, Screw, Phillips Pan Head (#10-32 x 1/2")	25	1
3		1035539	Handle, Release, Black - Right	1	1
3		1035540	Handle, Release, Black - Left	1	1
	C,D	1006490	Tip, Plastic, Black	1	1
4		47565X057	Bushing (7/32 x 3/8 x 11/32")	1	1
5		1028707	Spring, Release - Right	1	1
5		1028708	Spring, Release - Left	1	1
6		7930332-NLA	NLA - Locknut, High Profile (#10-32)	25	1
7		1028846-NLA	NLA - Rivnut (#10-32)	1	1
8		1027095	Plug Button, Black (7/8")	1	1
9		11919X000-NLA	NLA - Screw, Slotted Truss Head (3/8-16 x 1-1/2")	1	1
10		1058636-NLA	NLA - Washer, Nylon (25/64 x 7/8 x 1/32")	1	2
11		40363X000	Hex Nut (3/8"-16)	1	1
12	A,E,J	8881091759	Pad w/ Cover and Screws, Legrest Vinyl (Pair)	2	1
12	A,F,J	8881091764	Pad, Legrest, Vinyl - Right/Left	1	1
12	J	01415X000-NLA	NLA - Cover, Legrest Pad	1	1
12	A,J	88804529X003	Pad, Legrest, Vinyl - Right	1	1
12	A,J	88804529X004	Pad, Legrest, Vinyl - Left	1	1
13		7930330-NLA	NLA - Locknut (5/16-24)	25	3
14		1026030	Bolt, Lug (5/16-24 x 1-3/8")	1	1
15		04526X040-NLA	NLA - Tube, Elevating Support, Chrome - Right	1	1
15		04526X041-NLA	NLA - Tube, Elevating Support, Chrome - Left	1	1
15	B	8881048851	Tube, Elevating Adjustable Support, Color - Right	1	1
15	B	8881048852	Tube, Elevating Adjustable Support, Color - Left	1	1
16		1027097	Plug Button, Black (3/4")	1	1
17		1058484-NLA	NLA - Tube, Legrest Support, Chrome - Right	1	1
17		1058485-NLA	NLA - Tube, Legrest Support, Chrome - Left	1	1
17	B	8881058664-NL A	NLA - Tube, Legrest Support, Color - Right	1	1
17	B	8881058665-NL A	NLA - Tube, Legrest Support, Color - Left	1	1
18		42326X004	Bar, Ratchet - Right/Left	1	1
19		7930336-NLA	NLA - Nut, Acorn (5/16-24)	25	1
20		1022874	Bumper	1	1
21		1030979	Screw, Phillips Pan Head Tap (#10-32 x 3/4")	1	1
22		1040060	Tip, Plastic, Black	1	1
23		04528X002	Bracket, Release, Black	1	1
24		1037125	Cam, Legrest	1	1
25		1037485	Spring, Release	1	1
26		1037126	Handle, Release	1	1
27		7930310-NLA	NLA - Washer, Nylon (5/16 x 11/16 x 1/16")	25	1
28		1040831	Ring, Snap	1	1

P904A Legrest Supports

Due to a change to the Legrest Calf Pad size made on 4/23/12, you must also order the hardware kit (1066591) when ordering replacement Calf Pads.

Item Number	Note	Part Number	Description	Quantity Per	
				Package	Assembly
29		1032266	Bracket, Legrest Pad Mounting, Black	1	1
30		04526X019	Plate, Legrest Pad	1	1
31		7930330-NLA	NLA - Locknut (5/16-24)	25	1
32		1025133	Spacer, Legrest Pad, Black	1	1
33		1032267	Spacer, Legrest Pad Mounting, Black	1	1
34		1037110	Screw, Hex Head (5/16-24 x 3-1/2")	1	1
35		1028514	Screw, Hex Head (5/16-24 x 1-1/2")	1	1
36	I	1066591	Hardware, Legrest Pad	1	1
			Screw, Phillips Pan Head (#10-32 x 11/16")	1	2
			Screw, Phillips Pan Head (#10-32 x 1")	1	2
			Instruction Sheet, Legrest Pad Mtg.	1	1
	B,C,G	8881058646-NL A	NLA - Legrest Support Assembly, Adult, Color - Right	1	1
	B,C,G	8881058647-NL A	NLA - Legrest Support Assembly, Adult, Color - Left	1	1
	C,H	1058488-NLA	NLA - Legrest Support Assembly, Adult, Silver Vein - Right	1	1
	C,H	1058489-NLA	NLA - Legrest Support Assembly, Adult, Silver Vein - Left	1	1
<p>NOTE: A - Specify upholstery color when ordering, see page titled "Frame Finishes, Touch-Up Paints and Upholstery Options." B - Specify frame color when ordering, see page titled "Frame Finishes, Touch-Up Paints and Upholstery Options." C - Not Shown. D - Before 10/1/00 only E - Before 9/5/00 F - After 9/4/00 G - Color 14" to 20" H - 14" to 20". As of 7/6/07, chrome finish option is discontinued and no longer available. I - Item includes Screws and Instruction Sheet. J - Due to a change to the Legrest Calf Pad size made on 4/23/12, you must also order the hardware kit (1066591) when ordering replacement Calf Pads.</p>					