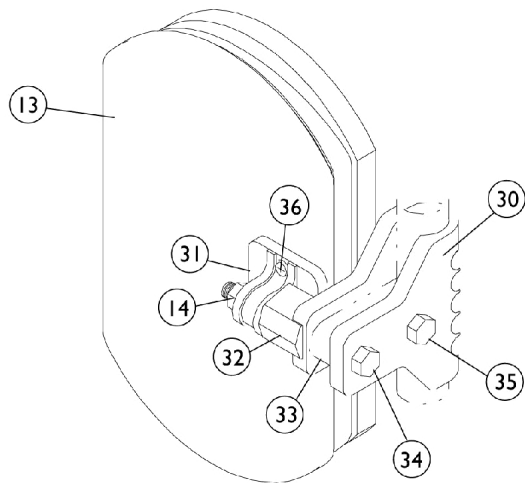
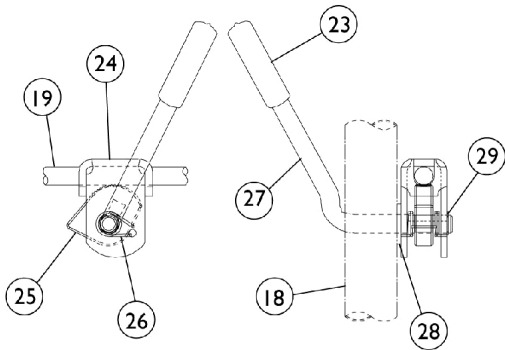
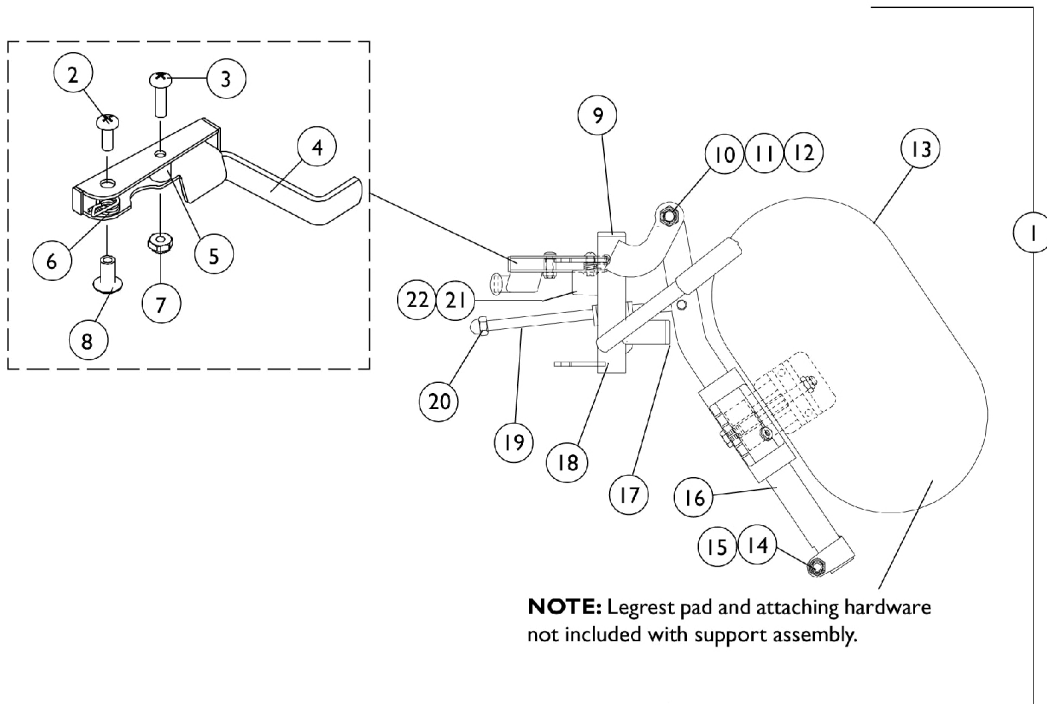


P904A Legrest Supports (Before 9/1/02)

NOTE: Front rigging attachment kit (FRKTM5) must be present when using legrest.

Due to a change to the Legrest Calf Pad size made on 4/23/12, you must also order the hardware kit (1066591) when ordering replacement Calf Pads.



P904A Legrest Supports

(Before 9/1/02)

NOTE: Front rigging attachment kit (FRKTM5) must be present when using legrest.

Due to a change to the Legrest Calf Pad size made on 4/23/12, you must also order the hardware kit (1066591) when ordering replacement Calf Pads.

Item Number	Note	Part Number	Description	Quantity Per	
				Package	Assembly
1		1108644-NLA	NLA - Legrest Support Assembly, Adult, Black - Right	1	1
1		1108645-NLA	NLA - Legrest Support Assembly, Adult, Black - Left	1	1
2		1025716	Screw, Phillips Pan Head (#10-32 x 11/16")	1	2
3		1026114	Screw, Phillips Pan Head (#10-32 x 1/2")	1	1
4		1035539	Handle, Release, Black - Right	1	1
4		1035540	Handle, Release, Black - Left	1	1
5		47565X057	Bushing (7/32 x 3/8 x 11/32")	1	1
6		1028707	Spring, Release - Right	1	1
6		1028708	Spring, Release - Left	1	1
7		1025735	Locknut (#10-32)	1	1
8		1028846-NLA	NLA - Rivnut (#10-32)	1	1
9		1027095	Plug Button, Black (7/8")	1	1
10		11919X000-NLA	NLA - Screw, Slotted Truss Head (3/8-16 x 1-1/2")	1	1
11		1058636-NLA	NLA - Washer, Nylon (25/64 x 7/8 x 1/32")	1	2
12		40363X000	Hex Nut (3/8"-16)	1	1
13	A,D	8881091764	Pad, Legrest, Vinyl - Right/Left	1	1
14		1025730	Locknut (5/16-24)	1	3
15		1026030	Bolt, Lug (5/16-24 x 1-3/8")	1	1
16		1043556-NLA	NLA - Tube, Elevating Adjustable Support, Black - Right	1	1
16		1043557-NLA	NLA - Tube, Elevating Adjustable Support, Black - Left	1	1
17		1027097	Plug Button, Black (3/4")	1	1
18	B	1108642-NLA	NLA - Legrest Support Tube Assembly, Adult, Black - Right	1	1
18	B	1108643-NLA	NLA - Legrest Support Tube Assembly, Adult, Black - Left	1	1
19		42326X004	Bar, Ratchet - Right/Left	1	1
20		10261X000	Nut, Acorn (5/16-24)	1	1
21		1022874	Bumper	1	1
22		1030979	Screw, Phillips Pan Head Tap (#10-32 x 3/4")	1	1
23		1040060	Tip, Plastic, Black	1	1
24		04528X002	Bracket, Release, Black	1	1
25		1037125	Cam, Legrest	1	1
26		1037485	Spring, Release	1	1
27		1037126	Handle, Release	1	1
28		1013519	Washer, Nylon (5/16 x 11/16 x 1/16")	1	1
29		1040831	Ring, Snap	1	1
30		1032266	Bracket, Legrest Pad Mounting, Black	1	1
31		04526X019	Plate, Legrest Pad	1	1
32		1025133	Spacer, Legrest Pad, Black	1	1

P904A Legrest Supports (Before 9/1/02)

NOTE: Front rigging attachment kit (FRKTM5) must be present when using legrest.

Due to a change to the Legrest Calf Pad size made on 4/23/12, you must also order the hardware kit (1066591) when ordering replacement Calf Pads.

Item Number	Note	Part Number	Description	Quantity Per	
				Package	Assembly
33		1032267	Spacer, Legrest Pad Mounting, Black	1	1
34		1037110	Screw, Hex Head (5/16-24 x 3-1/2")	1	1
35		1028514	Screw, Hex Head (5/16-24 x 1-1/2")	1	1
36	C	1066591	Hardware, Legrest Pad	1	1
			Screw, Phillips Pan Head (#10-32 x 11/16")	1	2
			Screw, Phillips Pan Head (#10-32 x 1")	1	2
			Instruction Sheet, Legrest Pad Mtg.	1	1

NOTE: A - Specify upholstery color U67 Black when ordering.
 B - No longer available as a service part individually, use Item 1 (1108644 or 1108645) as the replacement.
 C - Item includes Screws and Instruction Sheet.
 D - Due to a change to the Legrest Calf Pad size made on 4/23/12, you must also order the hardware kit (1066591) when ordering replacement Calf Pads.