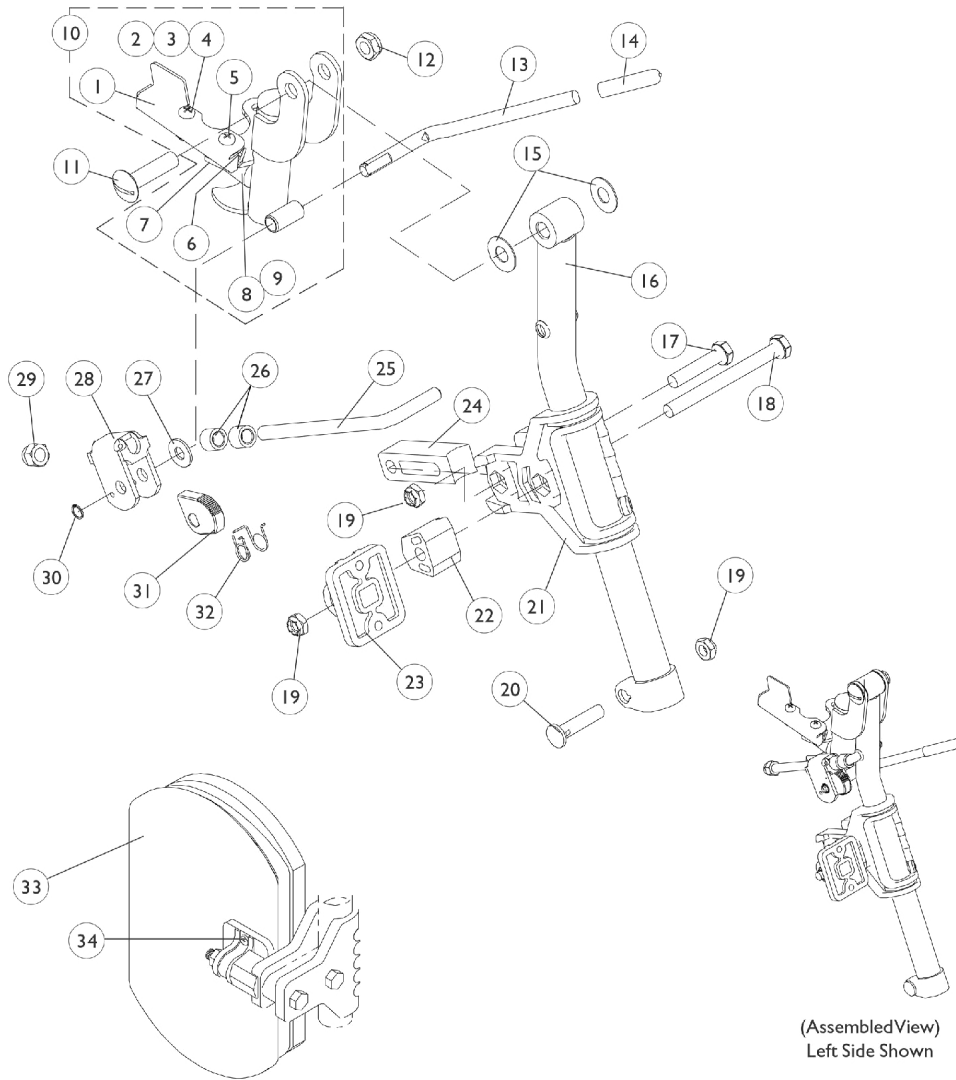


PH904A (Hemi) Legrest Supports (9/1/02-1/5/03) Color

NOTE: Front hemi rigging attachment kit (1114997) must be present when using legrest.

Due to a change to the Legrest Calf Pad size made on 4/23/12, you must also order the hardware kit (1068649) when ordering replacement Calf Pads.



PH904A (Hemi) Legrest Supports

(9/1/02-1/5/03) Color

NOTE: Front hemi rigging attachment kit (1114997) must be present when using legrest.

Due to a change to the Legrest Calf Pad size made on 4/23/12, you must also order the hardware kit (1068649) when ordering replacement Calf Pads.

Item Number	Note	Part Number	Description	Quantity Per	
				Package	Assembly
1	A	1031470-NLA	NLA - Handle, Release, Black - Left	1	1
1	A	1031469-NLA	NLA - Handle, Release, Black - Right	1	1
2		1025716	Screw, Phillips Pan Head (#10-32 x 11/16")	1	1
3		47565X057	Bushing (7/32 x 3/8 x 11/32")	1	1
4		1025735	Locknut (#10-32)	1	1
5		1026114	Screw, Phillips Pan Head (#10-32 x 1/2")	1	1
6		1008935	Spring, Release - Right	1	1
6		1008936	Spring, Release - Left	1	1
7		67005X000	Rivnut (#10-32)	1	1
8		1030979	Screw, Phillips Pan Head Tap (#10-32 x 3/4")	1	1
9		1022874	Bumper	1	1
10	D	1113041-NLA	NLA - Legrest Support Tube Assembly, Hemi, Black - Right	1	1
10	D	1113042-NLA	NLA - Legrest Support Tube Assembly, Hemi, Black - Left	1	1
11		11919X000-NLA	NLA - Screw, Slotted Truss Head (3/8-16 x 1-1/2")	1	1
12		40363X000	Hex Nut (3/8"-16)	1	1
13		1037126	Handle, Release	1	1
14		1040060	Tip, Plastic, Black	1	1
15		1058636-NLA	NLA - Washer, Nylon (25/64 x 7/8 x 1/32")	1	2
16	B	8881048851	Tube, Elevating Adjustable Support, Color - Right	1	1
16	B	8881048852	Tube, Elevating Adjustable Support, Color - Left	1	1
17		1028514	Screw, Hex Head (5/16-24 x 1-1/2")	1	1
18		1037110	Screw, Hex Head (5/16-24 x 3-1/2")	1	1
19		1025730	Locknut (5/16-24)	1	3
20		1026030	Bolt, Lug (5/16-24 x 1-3/8")	1	1
21		1032266	Bracket, Legrest Pad Mounting, Black	1	1
22		1025133	Spacer, Legrest Pad, Black	1	1
23		04526X019	Plate, Legrest Pad	1	1
24		1032267	Spacer, Legrest Pad Mounting, Black	1	1
25		1113030	Bar, Ratchet	1	1
26		47330X003	Spacer (5/16 x 1/2 x 3/8")	1	2
27		1013519	Washer, Nylon (5/16 x 11/16 x 1/16")	1	1
28		04528X002	Bracket, Release, Black	1	1
29		10261X000	Nut, Acorn (5/16-24)	1	1
30		1040831	Ring, Snap	1	1
31		1037125	Cam, Legrest	1	1
32		1037485	Spring, Release	1	1
33	C,H	8881091764	Pad, Legrest, Vinyl - Right/Left	1	1
34	G	1068649	Hardware, Legrest Pad	1	1
			Screw, Phillips Pan Head (#10-32 x 11/16")	1	2
			Screw, Phillips Pan Head (#10-32 x 1")	1	2

PH904A (Hemi) Legrest Supports

(9/1/02-1/5/03) Color

NOTE: Front hemi rigging attachment kit (1114997) must be present when using legrest.

Due to a change to the Legrest Calf Pad size made on 4/23/12, you must also order the hardware kit (1068649) when ordering replacement Calf Pads.

Item Number	Note	Part Number	Description	Quantity Per	
				Package	Assembly
			Instruction Sheet, Legrest Pad Mtg.	1	1
	F,I	1114997	Kit, Front Rigging Hanger Attachment	1	1
			NLA - Bag, Poly Zip-Lip (13" L x 9" W)	1	1
			NLA - Instruction Sheet, Front Rigging Hanger	1	1
			Front Rigging Hanger Assembly w/ Plug Button, Hemi, Black - Right	1	1
			Front Rigging Hanger Assembly w/ Plug Button, Hemi, Black - Left	1	1
			Locknut (1/4-20)	1	4
			NLA - Spacer (1/4 x 3/8 x 3/16")	1	4
			Screw, Hex Head (1/4-20 x 1-1/2")	1	4
			Carton, Shipper	1	1
	B,E	8881113043	Legrest Support Assembly, Hemi, Color - Right	1	1
	B,E	8881113044	Legrest Support Assembly, Hemi, Color - Left	1	1

NOTE: A - Includes items 2-4
 B - Specify 34P flat black frame finish when ordering.
 C - Specify Upholstery color U67 Black when ordering.
 D - Includes #1 and 5-9
 E - See pictorial for reference.
 F - Not Shown
 G - Includes Screws and Instruction Sheet.
 H - Due to a change to the Legrest Calf Pad size made on 4/23/12, you must also order the hardware kit (1068649) when ordering replacement Calf Pads.
 I - Part number 1110523 is no longer available from the Invacare Service Parts Department. Refer to the Invacare Website under "Product Literature Search". Enter the part number in the "Keywords" field and download a free PDF version copy.