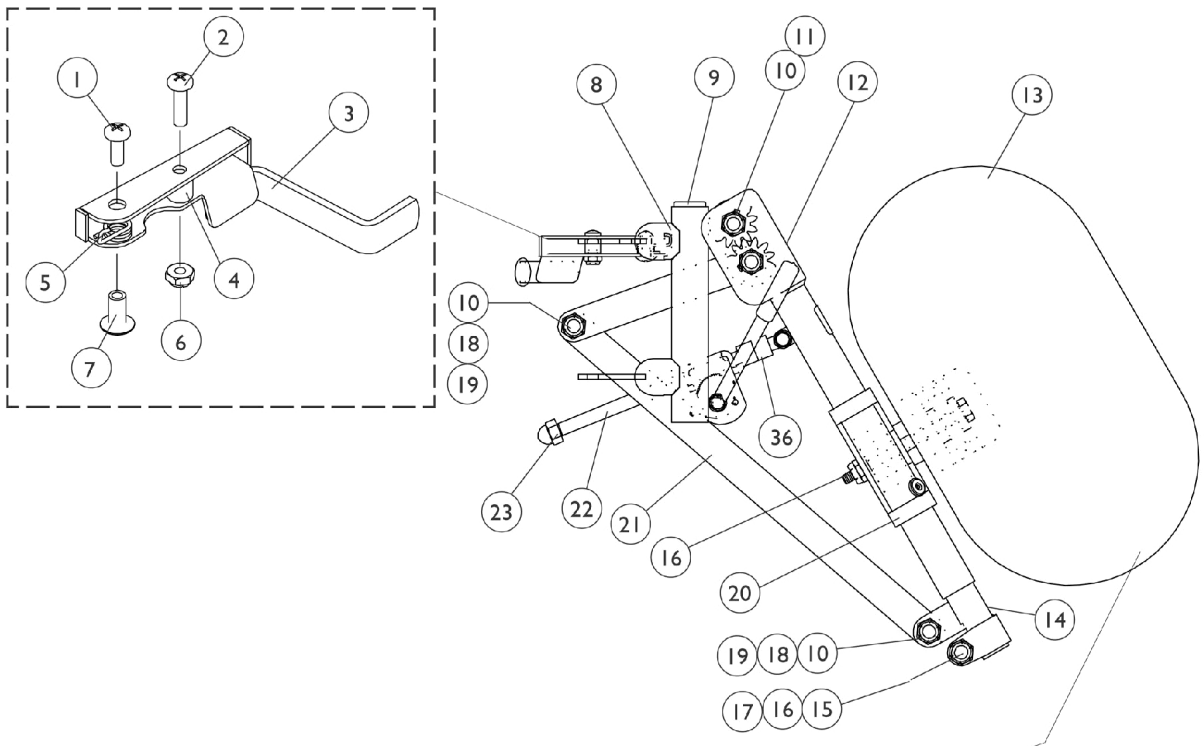


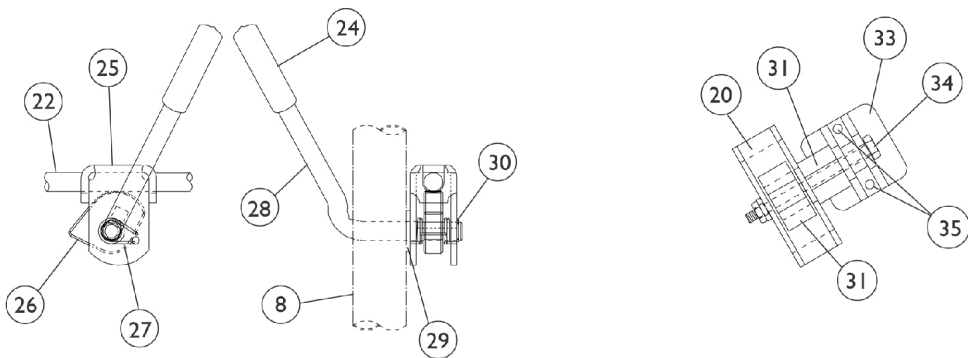
PAL4A Articulating Legrest

Before 9/1/02
Chrome

Due to a change to the Legrest Calf Pad size made on 4/23/12, you must also order the hardware kit (1066591) when ordering replacement Calf Pads.



NOTE: Legrest pad and attaching hardware not included with support assembly.



PAL4A Articulating Legrest

Before 9/1/02

Chrome

Due to a change to the Legrest Calf Pad size made on 4/23/12, you must also order the hardware kit (1066591) when ordering replacement Calf Pads.

Item Number	Note	Part Number	Description	Quantity Per	
				Package	Assembly
1		1025706-NLA	NLA - Screw, Phillips Oval Head (#10-16 x 7/8")	1	1
2		1026114	Screw, Phillips Pan Head (#10-32 x 1/2")	1	1
3		1035539	Handle, Release, Black - Right	1	1
3		1035540	Handle, Release, Black - Left	1	1
4		47565X057	Bushing (7/32 x 3/8 x 11/32")	1	1
5		1028707	Spring, Release - Right	1	1
5		1028708	Spring, Release - Left	1	1
6		1025735	Locknut (#10-32)	1	1
7		1028846-NLA	NLA - Rivnut (#10-32)	1	1
8		1058478-NLA	NLA - Tube, Legrest Support - Right	1	1
8		1058479-NLA	NLA - Tube, Legrest Support - Left	1	1
9		1027097	Plug Button, Black (3/4")	1	1
10		40363X000	Hex Nut (3/8"-16)	1	3
11		1022854-NLA	NLA - Screw, Shoulder Slotted Head (1/2 x 1-1/8", 3/8-16)	1	1
12		1022877-NLA	NLA - Tube, Support and Drive Link, Chrome - Right	1	1
12		1022878-NLA	NLA - Tube, Support and Drive Link, Chrome - Left	1	1
13	A,D	8881091764	Pad, Legrest, Vinyl - Right/Left	1	1
14		1022848	Tube, Slide, Articulating, Chrome - Right	1	1
14		1022849	Tube, Slide, Articulating, Chrome - Left	1	1
15		1027377	Washer (#20)	1	1
16		60264X001	Locknut (5/16-24)	1	1
17		11232X009	Bolt, Lug (5/16-24 x 1-3/8")	1	1
18		1022866-NLA	NLA - Screw, Socket Button Head (3/8-16 x 3/4")	1	2
19		1049527	Washer, Nylon (3/8 x 3/4 x 1/16")	1	2
20		1025104	Bracket, Legrest, Chrome	1	1
21		1022846-NLA	NLA - Bar, Link, Black	1	1
22		1023811-NLA	NLA - Bar, Ratchet - Right	1	1
22		1023812-NLA	NLA - Bar, Ratchet - Left	1	1
23		10261X000	Nut, Acorn (5/16-24)	1	1
24		1040060	Tip, Plastic, Black	1	1
25		04528X002	Bracket, Release, Black	1	1
26		1037125	Cam, Legrest	1	1
27		1037485	Spring, Release	1	1
28		1037126	Handle, Release	1	1
29		1013519	Washer, Nylon (5/16 x 11/16 x 1/16")	1	1
30		1040831	Ring, Snap	1	1
31		48823X008	Spring, Leaf	1	1
32		1025133	Spacer, Legrest Pad, Black	1	1
33		04526X019	Plate, Legrest Pad	1	1
34		1014807	Screw, Hex Head (5/16-24 x 3-1/4")	1	1

PAL4A Articulating Legrest

Before 9/1/02

Chrome

Due to a change to the Legrest Calf Pad size made on 4/23/12, you must also order the hardware kit (1066591) when ordering replacement Calf Pads.

Item Number	Note	Part Number	Description	Quantity Per	
				Package	Assembly
35	C	1066591	Hardware, Legrest Pad	1	1
			Screw, Phillips Pan Head (#10-32 x 11/16")	1	2
			Screw, Phillips Pan Head (#10-32 x 1")	1	2
			Instruction Sheet, Legrest Pad Mtg.	1	1
36		47328X003	Bushing, Pivot (5/16 x 7/16 x 7/8")	1	2
	B	1058482-NLA	NLA - Legrest Support Assembly, Articulating, Adult, Chrome - Right	1	1
	B	1058483-NLA	NLA - Legrest Support Assembly, Articulating, Adult, Chrome - Left	1	1
NOTE: A - Specify upholstery color U67 Black when ordering B - Not Shown C - Includes Screws and Instruction Sheet. D - Due to a change to the Legrest Calf Pad size made on 4/23/12, you must also order the hardware kit (1066591) when ordering replacement Calf Pads.					