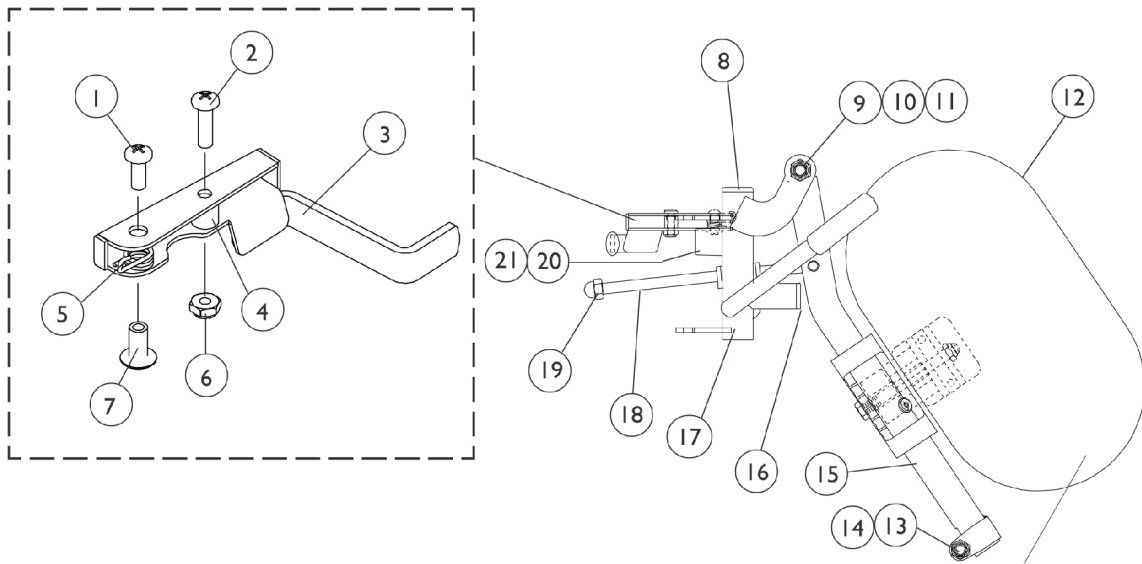
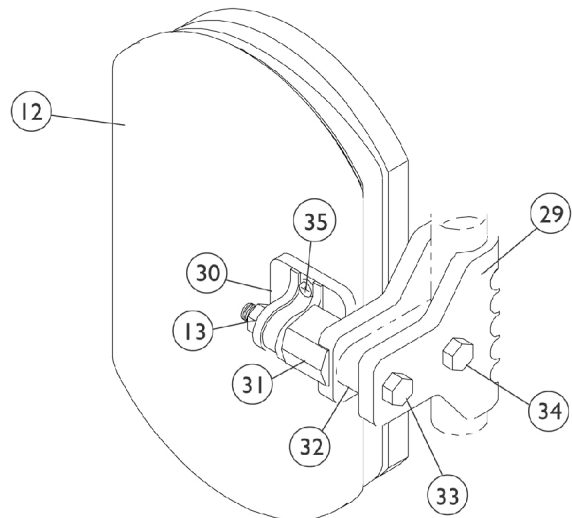
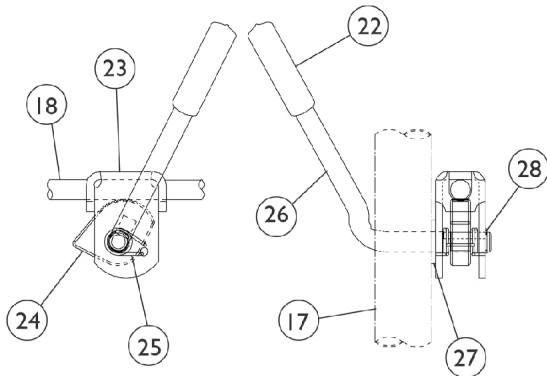


# PZH904A Legrest (Before 9/1/02) Color

Due to a change to the Legrest Calf Pad size made on 4/23/12, you must also order the hardware kit (1066591) when ordering replacement Calf Pads.



**NOTE:** Legrest pad and attaching hardware not included with support assembly.



## PZH904A Legrest (Before 9/1/02) Color

**Due to a change to the Legrest Calf Pad size made on 4/23/12, you must also order the hardware kit (1066591) when ordering replacement Calf Pads.**

Item Number	Note	Part Number	Description	Quantity Per	
				Package	Assembly
1		1025716	Screw, Phillips Pan Head (#10-32 x 11/16")	1	2
2		1026114	Screw, Phillips Pan Head (#10-32 x 1/2")	1	1
3		1035539	Handle, Release, Black - Right	1	1
3		1035540	Handle, Release, Black - Left	1	1
4		47565X057	Bushing (7/32 x 3/8 x 11/32")	1	1
5		1028707	Spring, Release - Right	1	1
5		1028708	Spring, Release - Left	1	1
6		1025735	Locknut (#10-32)	1	1
7		1028846-NLA	NLA - Rivnut (#10-32)	1	1
8		1027095	Plug Button, Black (7/8")	1	1
9		11919X000-NLA	NLA - Screw, Slotted Truss Head (3/8-16 x 1-1/2")	1	1
10		1058636-NLA	NLA - Washer, Nylon (25/64 x 7/8 x 1/32")	1	1
11		40363X000	Hex Nut (3/8"-16)	1	2
12	A,E	8881091764	Pad, Legrest, Vinyl - Right/Left	1	1
13		1025730	Locknut (5/16-24)	1	1
14		1026030	Bolt, Lug (5/16-24 x 1-3/8")	1	3
15	B	8881048851	Tube, Elevating Adjustable Support, Color - Right	1	1
15	B	8881048852	Tube, Elevating Adjustable Support, Color - Left	1	1
16		1027097	Plug Button, Black (3/4")	1	1
17	B	8881058664-NL A	NLA - Tube, Legrest Support, Color - Right	1	1
17	B	8881058665-NL A	NLA - Tube, Legrest Support, Color - Left	1	1
18		42326X004	Bar, Ratchet - Right/Left	1	1
19		10261X000	Nut, Acorn (5/16-24)	1	1
20		1022874	Bumper	1	1
21		1030979	Screw, Phillips Pan Head Tap (#10-32 x 3/4")	1	1
22		1040060	Tip, Plastic, Black	1	1
23		04528X002	Bracket, Release, Black	1	1
24		1037125	Cam, Legrest	1	1
25		1037485	Spring, Release	1	1
26		1037126	Handle, Release	1	1
27		1013519	Washer, Nylon (5/16 x 11/16 x 1/16")	1	1
28		1040831	Ring, Snap	1	1
29		1032266	Bracket, Legrest Pad Mounting, Black	1	1
30		04526X019	Plate, Legrest Pad	1	1
31		1025133	Spacer, Legrest Pad, Black	1	1
32		1032267	Spacer, Legrest Pad Mounting, Black	1	1
33		1037110	Screw, Hex Head (5/16-24 x 3-1/2")	1	1
34		1028514	Screw, Hex Head (5/16-24 x 1-1/2")	1	1
35	D	1066591	Hardware, Legrest Pad	1	1
			Screw, Phillips Pan Head (#10-32 x 11/16")	1	2
			Screw, Phillips Pan Head (#10-32 x 1")	1	2
			Instruction Sheet, Legrest Pad Mtg.	1	1

# PZH904A Legrest (Before 9/1/02) Color

**Due to a change to the Legrest Calf Pad size made on 4/23/12, you must also order the hardware kit (1066591) when ordering replacement Calf Pads.**

Item Number	Note	Part Number	Description	Quantity Per	
				Package	Assembly
	B,C	8881058646-NL A	NLA - Legrest Support Assembly, Adult, Color - Right	1	1
	B,C	8881058647-NL A	NLA - Legrest Support Assembly, Adult, Color - Left	1	1
NOTE: A - Specify upholstery color U67 Black when ordering. B - Specify 34P flat black frame finish when ordering. C - Not Shown D - Includes Screws and Instruction Sheet. E - Due to a change to the Legrest Calf Pad size made on 4/23/12, you must also order the hardware kit (1066591) when ordering replacement Calf Pads.					