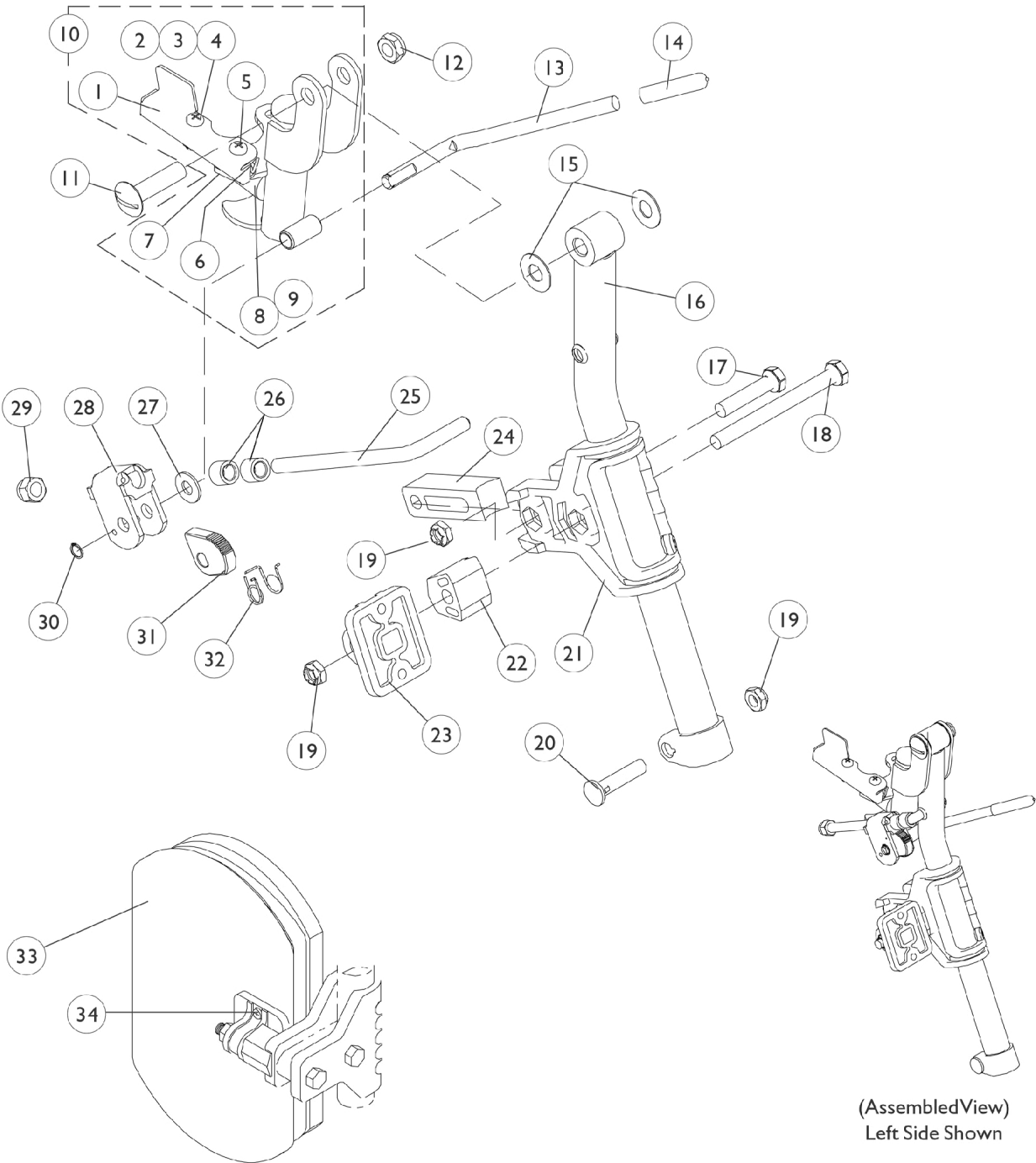


PH904A (Hemi) Legrest Supports

9/1/02-1/5/03

Color

Due to a change to the Legrest Calf Pad size made on 4/23/12, you must also order the hardware kit (1068649) when ordering replacement Calf Pads.



PH904A (Hemi) Legrest Supports

9/1/02-1/5/03

Color

Due to a change to the Legrest Calf Pad size made on 4/23/12, you must also order the hardware kit (1068649) when ordering replacement Calf Pads.

Item Number	Note	Part Number	Description	Quantity Per	
				Package	Assembly
1	A	1031470-NLA	NLA - Handle, Release, Black - Left	1	1
1	A	1031469-NLA	NLA - Handle, Release, Black - Right	1	1
2		1025716	Screw, Phillips Pan Head (#10-32 x 11/16")	1	1
3		47565X057	Bushing (7/32 x 3/8 x 11/32")	1	1
4		1025735	Locknut (#10-32)	1	1
5		1026114	Screw, Phillips Pan Head (#10-32 x 1/2")	1	1
6		1008935	Spring, Release - Right	1	1
6		1008936	Spring, Release - Left	1	1
7		67005X000	Rivnut (#10-32)	1	1
8		1030979	Screw, Phillips Pan Head Tap (#10-32 x 3/4")	1	1
9		1022874	Bumper	1	1
10	D	1113041-NLA	NLA - Legrest Support Tube Assembly, Hemi, Black - Right	1	1
10	D	1113042-NLA	NLA - Legrest Support Tube Assembly, Hemi, Black - Left	1	1
11		11919X000-NLA	NLA - Screw, Slotted Truss Head (3/8-16 x 1-1/2")	1	1
12		40363X000	Hex Nut (3/8"-16)	1	1
13		1037126	Handle, Release	1	1
14		1040060	Tip, Plastic, Black	1	1
15		1058636-NLA	NLA - Washer, Nylon (25/64 x 7/8 x 1/32")	1	2
16	B	8881048851	Tube, Elevating Adjustable Support, Color - Right	1	1
16	B	8881048852	Tube, Elevating Adjustable Support, Color - Left	1	1
17		1028514	Screw, Hex Head (5/16-24 x 1-1/2")	1	1
18		1037110	Screw, Hex Head (5/16-24 x 3-1/2")	1	1
19		1025730	Locknut (5/16-24)	1	3
20		1026030	Bolt, Lug (5/16-24 x 1-3/8")	1	1
21		1032266	Bracket, Legrest Pad Mounting, Black	1	1
22		1025133	Spacer, Legrest Pad, Black	1	1
23		04526X019	Plate, Legrest Pad	1	1
24		1032267	Spacer, Legrest Pad Mounting, Black	1	1
25		1113030	Bar, Ratchet	1	1
26		47330X003	Spacer (5/16 x 1/2 x 3/8")	1	2
27		1013519	Washer, Nylon (5/16 x 11/16 x 1/16")	1	1
28		04528X002	Bracket, Release, Black	1	1
29		10261X000	Nut, Acorn (5/16-24)	1	1
30		1040831	Ring, Snap	1	1
31		1037125	Cam, Legrest	1	1
32		1037485	Spring, Release	1	1
33	C,F	8881091764	Pad, Legrest, Vinyl - Right/Left	1	1
34	E	1068649	Hardware, Legrest Pad	1	1
			Screw, Phillips Pan Head (#10-32 x 11/16")	1	2
			Screw, Phillips Pan Head (#10-32 x 1")	1	2

PH904A (Hemi) Legrest Supports

9/1/02-1/5/03
Color

Due to a change to the Legrest Calf Pad size made on 4/23/12, you must also order the hardware kit (1068649) when ordering replacement Calf Pads.

Item Number	Note	Part Number	Description	Quantity Per	
				Package	Assembly
			Instruction Sheet, Legrest Pad Mtg.	1	1
	B	8881113043	Legrest Support Assembly, Hemi, Color - Right	1	1
	B	8881113044	Legrest Support Assembly, Hemi, Color - Left	1	1
NOTE: A - Includes items 2-4 B - Specify 34P flat black frame finish when ordering C - Not Shown D - Includes Items 1 and 5-9 E - Includes Screws and Instruction Sheet. F - Due to a change to the Legrest Calf Pad size made on 4/23/12, you must also order the hardware kit (1068649) when ordering replacement Calf Pads.					