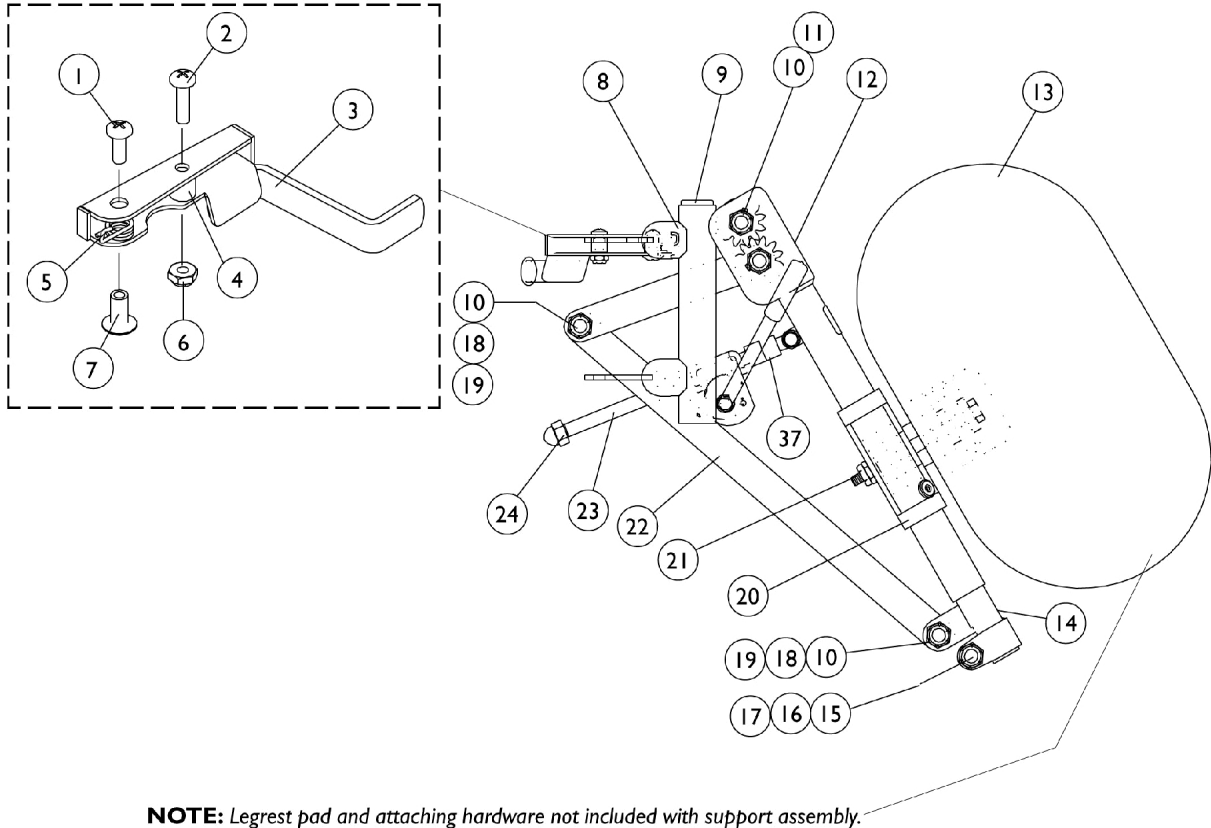


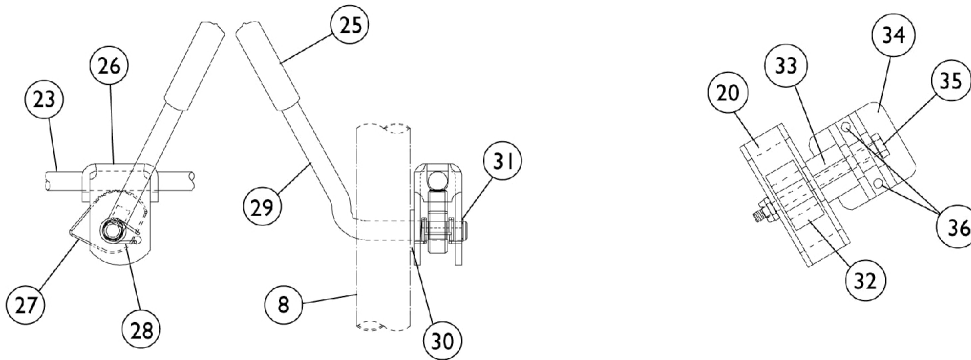
PAS4A/PAL4A Articulating Legrest

Chrome 14-20" Wide

Due to a change to the Legrest Calf Pad size made on 4/23/12, you must also order the hardware kit (1066591) when ordering replacement Calf Pads.



NOTE: Legrest pad and attaching hardware not included with support assembly.



PAS4A/PAL4A Articulating Legrest

Chrome 14-20" Wide

Due to a change to the Legrest Calf Pad size made on 4/23/12, you must also order the hardware kit (1066591) when ordering replacement Calf Pads.

Item Number	Note	Part Number	Description	Quantity Per	
				Package	Assembly
1		7930328-NLA	NLA - Package, Screw, Phillips Pan Head (#10-32 x 11/16")	25	1
2		7930335-NLA	NLA - Package, Screw, Phillips Pan Head (#10-32 x 1/2")	25	1
3		1035539	Handle, Release, Black - Right	1	1
3		1035540	Handle, Release, Black - Left	1	1
4		47565X057	Bushing (7/32 x 3/8 x 11/32")	1	1
5		1028707	Spring, Release - Right	1	1
5		1028708	Spring, Release - Left	1	1
6		7930332-NLA	NLA - Locknut, High Profile (#10-32)	25	1
7		1028846-NLA	NLA - Rivnut (#10-32)	1	1
8		1058478-NLA	NLA - Tube, Legrest Support - Right	1	1
8		1058479-NLA	NLA - Tube, Legrest Support - Left	1	1
9		1027097	Plug Button, Black (3/4")	1	1
10		40363X000	Hex Nut (3/8"-16)	1	1
11		1022854-NLA	NLA - Screw, Shoulder Slotted Head (1/2 x 1-1/8", 3/8-16)	1	1
12		1022877-NLA	NLA - Tube, Support and Drive Link, Chrome - Right	1	1
12		1022878-NLA	NLA - Tube, Support and Drive Link, Chrome - Left	1	1
13	B,A	8881091764	Pad, Legrest, Vinyl - Right/Left	1	1
13		1041806	Pad, Legrest, Two Piece Plastic	1	1
13	C,A,F	88804529X003	Pad, Legrest, Vinyl - Right	1	1
13	C,A,F	88804529X004	Pad, Legrest, Vinyl - Left	1	1
14		1022848	Tube, Slide, Articulating, Chrome - Right	1	1
14		1022849	Tube, Slide, Articulating, Chrome - Left	1	1
15		1027377	Washer (#20)	25	1
16		7930363-NLA	NLA - Package, Locknut (5/16"-24)	1	1
17		11232X009	Bolt, Lug (5/16-24 x 1-3/8")	1	1
18		1022866-NLA	NLA - Screw, Socket Button Head (3/8-16 x 3/4")	1	2
19		1049527	Washer, Nylon (3/8 x 3/4 x 1/16")	1	2
20		1025104	Bracket, Legrest, Chrome	1	1
21		7930363-NLA	NLA - Package, Locknut (5/16"-24)	25	2
22		1022846-NLA	NLA - Bar, Link, Black	1	1
23		1023811-NLA	NLA - Bar, Ratchet - Right	1	1
23		1023812-NLA	NLA - Bar, Ratchet - Left	1	1
24		7930336-NLA	NLA - Nut, Acorn (5/16-24)	25	1
25		1040060	Tip, Plastic, Black	1	1
26		04528X002	Bracket, Release, Black	1	1
27		1037125	Cam, Legrest	1	1
28		1037485	Spring, Release	1	1
29		1037126	Handle, Release	1	1
30		7930310-NLA	NLA - Washer, Nylon (5/16 x 11/16 x 1/16")	25	1
31		1040831	Ring, Snap	1	1
32		48823X008	Spring, Leaf	1	1
33		1025133	Spacer, Legrest Pad, Black	1	1

PAS4A/PAL4A Articulating Legrest Chrome 14-20" Wide

Due to a change to the Legrest Calf Pad size made on 4/23/12, you must also order the hardware kit (1066591) when ordering replacement Calf Pads.

Item Number	Note	Part Number	Description	Quantity Per	
				Package	Assembly
34		04526X019	Plate, Legrest Pad	1	1
35		1014807	Screw, Hex Head (5/16-24 x 3-1/4")	1	1
36	E	1066591	Hardware, Legrest Pad	1	1
37	D	47328X003	Screw, Phillips Pan Head (#10-32 x 11/16")	1	2
			Screw, Phillips Pan Head (#10-32 x 1")	1	2
			Instruction Sheet, Legrest Pad Mtg.	1	1
			Bushing, Pivot (5/16 x 7/16 x 7/8")	1	2
			NLA - Legrest Support Assembly, Articulating, Adult, Chrome - Right	1	1
	D	1058483-NLA	NLA - Legrest Support Assembly, Articulating, Adult, Chrome - Left	1	1

NOTE: A - Specify upholstery color U67 Black when ordering.
 B - 16-20" Wide Chairs
 C - 14" Wide Chairs
 D - Not Shown
 E - Includes Screws and Instruction Sheet.
 F - Due to a change to the Legrest Calf Pad size made on 4/23/12, you must also order the hardware kit (1066591) when ordering replacement Calf Pads.