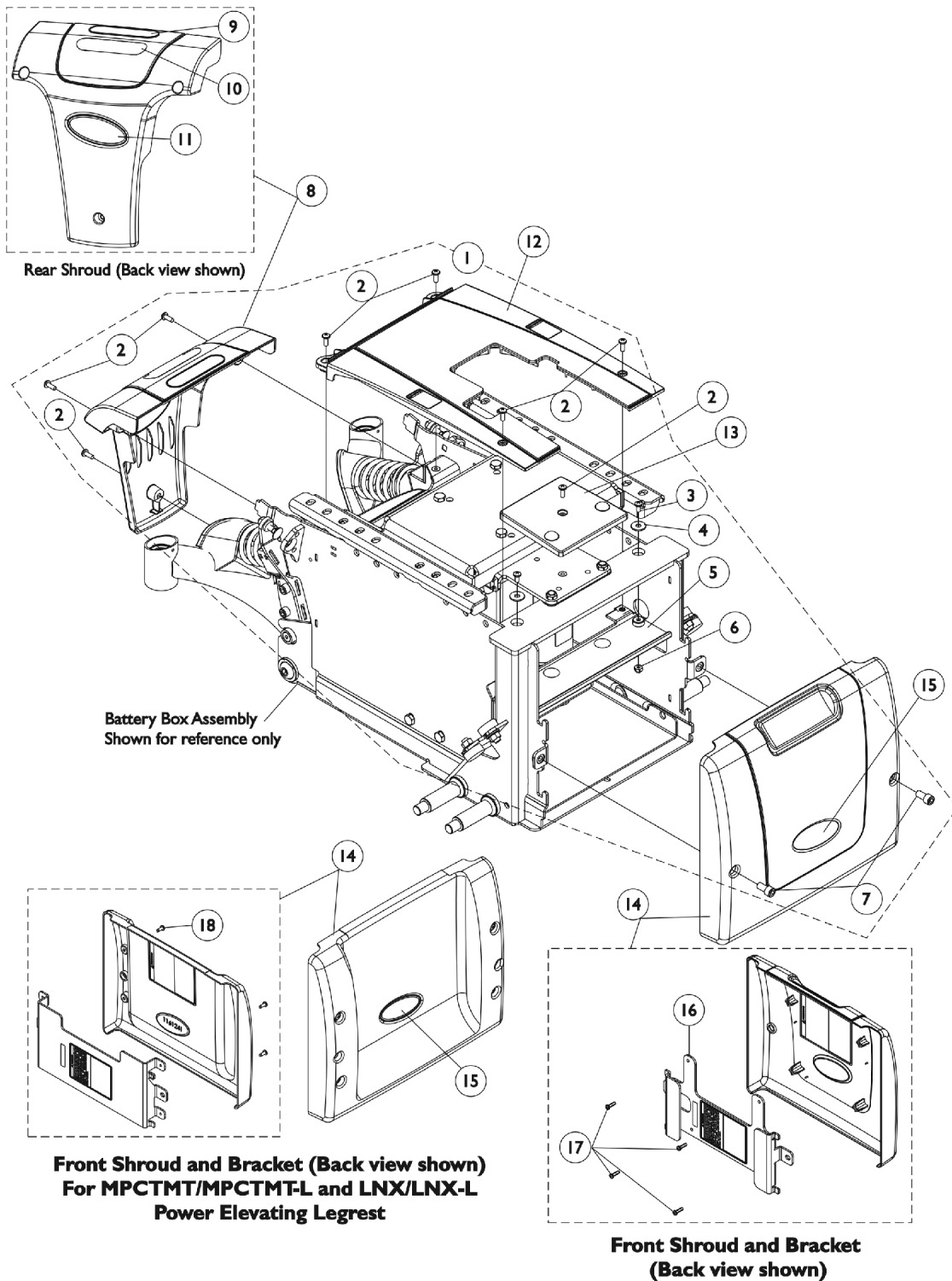


Shrouds and Hardware

(Narrow Battery Box After 1/3/08) & Wide Battery Box (CGE/CGTE/CGTRE) -
TDX SP/SP-GT/SR



Shrouds and Hardware

(Narrow Battery Box After 1/3/08) & Wide Battery Box (CGE/CGTE/CGTRE) - TDX SP/SP-GT/SR

Item Number	Note	Part Number	Description	Quantity Per	
				Package	Assembly
1	A,E	1147162	Kit, Shroud Hardware, Elevate, Narrow Battery Box	1	1
2			Screw, Phillips Pan Head (#10-32 x 1/2")	1	7
3			Screw, Phillips Pan Head (#10-32 x 3/8")	1	2
4			Washer (1/4 x 23/32 x 1/16")	1	2
5			Shroud, Isolation	1	1
6			Locknut (#10-32)	1	2
7			Screw, Socket Head w/ Patch (5/16-18 x 5/8")	1	2
1	A,F	1134250	Kit, Shroud Hardware, Elevate, Wide Battery Box	1	1
2			Screw, Phillips Pan Head (#10-32 x 1/2")	1	7
3			Screw, Phillips Pan Head (#10-32 x 3/8")	1	2
4			Washer (1/4 x 23/32 x 1/16")	1	2
5			Shroud, Isolation (For GP24/3-22NF Batteries)	1	1
6			Locknut (#10-32)	1	2
7			Screw, Socket Head w/ Patch (5/16-18 x 5/8")	1	2
8		1144648	Shroud w/ Decal - Rear	1	1
9		1119281-NLA	NLA - Plate, Name, Patent Numbers	1	1
10		1035900	Decal, Transportation	1	1
12		1148235	Shroud w/ Decal, Center, Elevate, Narrow Battery Box	1	1
12		1153546	Shroud w/ Decal, Center, Elevate, Wide Battery Box	1	1
13	D	1121693	Shroud, Bracket Support (Elevate)	1	1
2		1026114	Screw, Phillips Pan Head (#10-32 x 1/2")	1	1
14	B	1149789	Front Shroud and Bracket Assembly, Elevate, Narrow Battery Box	1	1
14	B	1149790	Front Shroud and Bracket Assembly, Elevate, Wide Battery Box	1	1
14	C	1160942	Front Shroud and Bracket Assembly, Elevate, Narrow Battery Box	1	1
14	C	1160943	Front Shroud and Bracket Assembly, Elevate, Wide Battery Box	1	1
16		1153876-NLA	NLA - Bracket with Decals, Front Shroud, Narrow Battery Box	1	1
16		1153877	Bracket with Decals, Front Shroud, Wide Battery Box	1	1
17		1114276	Screw, Phillips Pan Head (#8-16 x 5/8")	1	4
18		1028484	Screw, Phillips Pan Head Tap (#10-32 x 1/2")	1	4

NOTE: A - Includes items 2-7.
 B - Includes Front Shroud and items 16 and 17.
 C - Includes Front Shroud, Bracket, items 15 and 18. This Front Shroud is used for MPCTMT/MPCTMT-L and LNX/LNX-L Power Elevating Legrest only.
 D - Order item #2 Phillips Pan Head Screw to attach the Elevate Support Bracket Shroud.
 E - For 22NF Batteries.
 F - For GP24 Batteries.

Item #11 and #15 Reflective Decal is not available for sale individually.