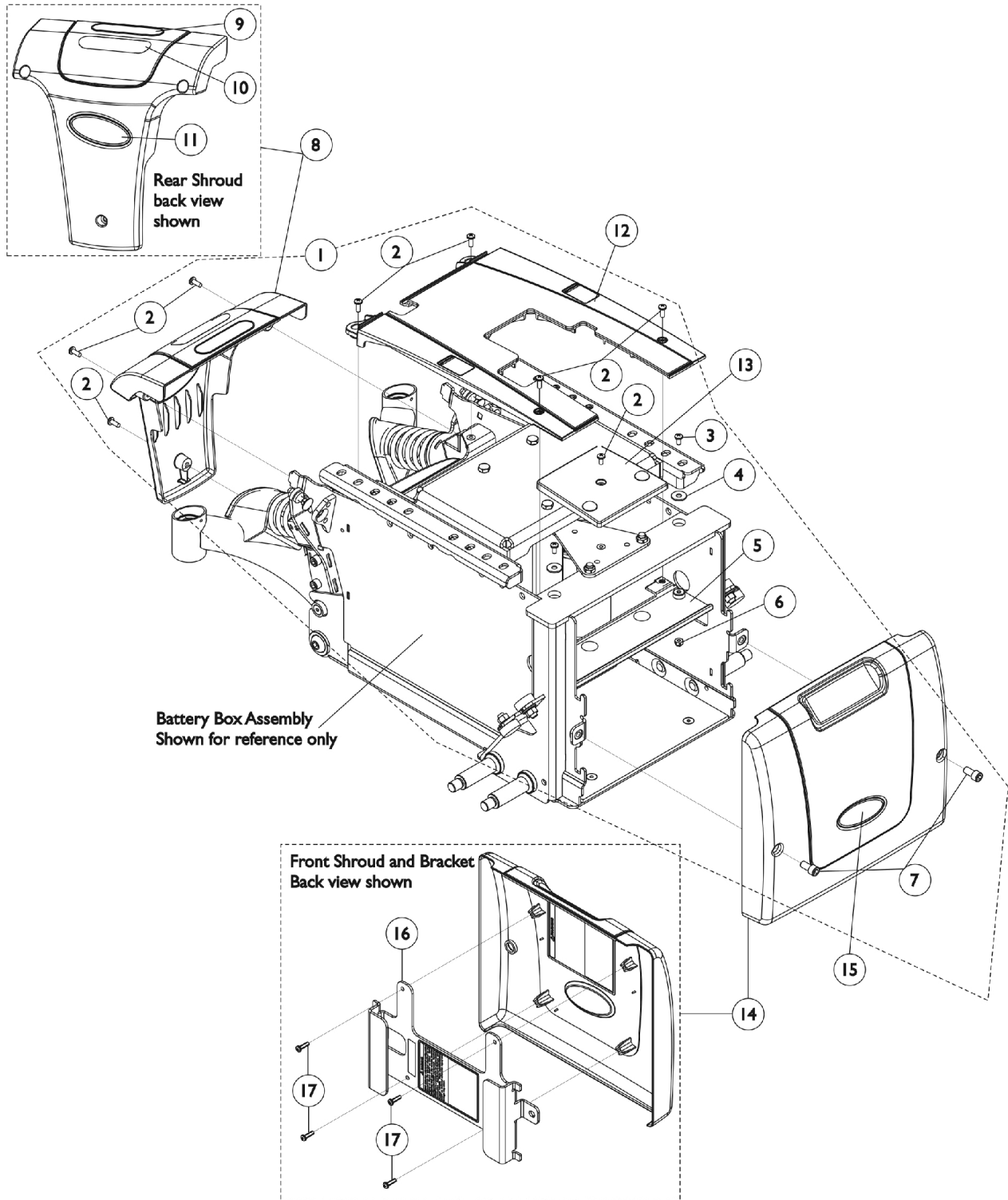


# Shrouds and Hardware

## Narrow Battery Box (CGE) Before 1/4/08



## Shrouds and Hardware

### Narrow Battery Box (CGE) Before 1/4/08

Item Number	Note	Part Number	Description	Quantity Per	
				Package	Assembly
1	A,D	1147162	Kit, Shroud Hardware, Elevate, Narrow Battery Box	1	1
2			Screw, Phillips Pan Head (#10-32 x 1/2")	1	8
3			Screw, Phillips Pan Head (#10-32 x 3/8")	1	2
4			Washer (1/4 x 23/32 x 1/16")	1	2
5			Shroud, Isolation	1	1
6			Locknut (#10-32)	1	2
7			Screw, Socket Head w/ Patch (5/16-18 x 5/8")	1	2
8		1144648	Shroud w/ Decal - Rear	1	1
9		1119281-NLA	NLA - Plate, Name, Patent Numbers	1	1
10		1035900	Decal, Transportation	1	1
12	C	1148235	Shroud w/ Decal, Center, Elevate, Narrow Battery Box	1	1
13		1121693	Shroud, Bracket Support (Elevate)	1	1
14	B	1147101-NLA	NLA - Front Shroud and Bracket Assembly (Elevate) Narrow Battery Box	1	1
16		1148233-NLA	NLA - Kit, Shroud Bracket w/ Decals, Black - Front (Narrow Battery Box)	1	1
17		1114276	Screw, Phillips Pan Head (#8-16 x 5/8")	1	4

NOTE: A - Includes items 2-7  
B - Includes Front Shroud and items 16 and 17  
C - After 1/3/08 two side cut outs were added to the Center Shroud and is backward compatible for chairs manufactured before 1/4/08  
D - For 22NF Batteries.

Item #11 and #15 Reflective Decal is not available for sale individually.