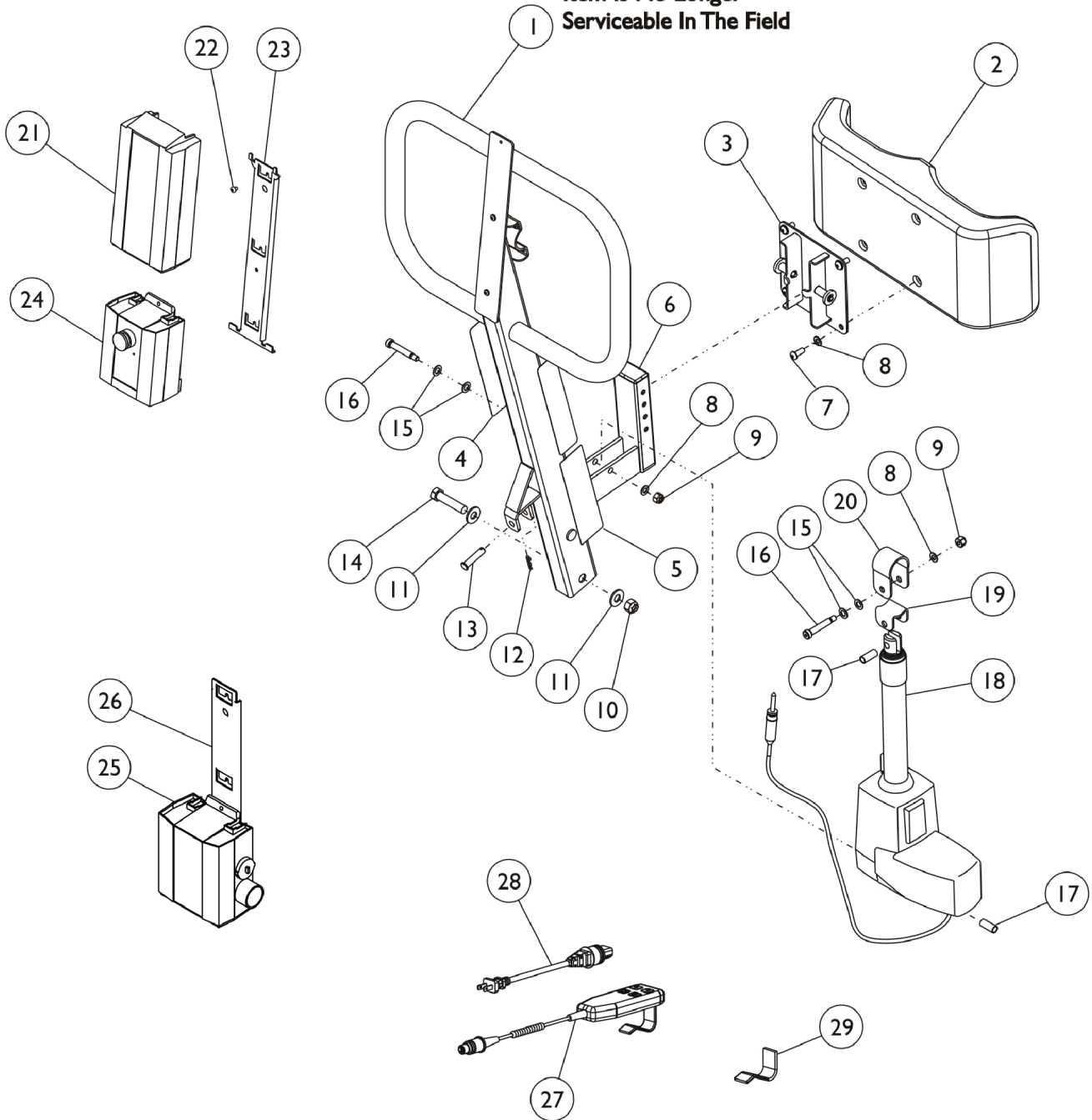


Mast Assembly - RPS350-2 (Before 7/2/10)

Item Is No Longer Serviceable In The Field



Mast Assembly - RPS350-2 (Before 7/2/10)

Item Number	Note	Part Number	Description	Quantity Per	
				Package	Assembly
1	C	See Note	See Footnote	1	1
2		1070803	Pad, Knee	1	1
3		1097071	Mounting, Pad	1	1
4		1073705-NLA	NLA - Decal, Reliant 350 Logo	1	2
5		1073699-NLA	NLA - Decal, Warning - Reliant 350	1	1
6		1065360	Cap, End, Black (1-1/4 x 2")	1	1
7		1071955	Screw, Socket Button Head (5/16-18 x 3/4")	1	4
8		1025704	Washer, Flat (5/16 x 5/8 x 1/16")	1	6
9		1064267	Locknut (5/16-18)	1	2
10		1078981	Locknut (1/2-13)	1	1
11		1068305	Washer (1/2")	1	2
12	D,F	51000M743	Pin, Hitch (3/8 x 1-3/16")	1	1
13	D,E	1142010	Pin, Clevis (10mm x 44mm)	1	1
14		1078979	Screw, Hex Head (1/2-13 x 2-1/4")	1	1
15		1065214	Washer, Flat (3/8 x 11/16 x 1/16")	1	4
16		1064455	Screw, Shoulder Hex Socket Head (3/8 x 1-3/4", 5/16-18)	1	2
17		1064443	Bushing (3/8 x 15/32 x 1-3/32")	1	2
18	B	1078974	Actuator Motor	1	1
19		1071833-NLA	NLA - Bracket, Drive, Grey - Lower	1	1
20		1071832-NLA	NLA - Bracket, Drive, Grey - Upper	1	1
21		1078276	Battery Pack, Linak	1	1
22		1078980	Screw, Phillips Pan Head (#10-24 x 1/4")	1	3
23		1078284	Bracket, Battery - Electric Only	1	1
24		1132050	Controller, Linak	1	1
25	H	1078274	Charger, Electric Only w/o Power Cord	1	1
26		1078306	Bracket, Wall Mount Charger	1	1
27	G	1132051	NLA - Pendant, Four Channel w/ Hook	1	1
27		1177605	Pendant, Four Channel w/ Hook	1	1
28		1079133	Cord, Power, USA	1	1
29		1161593	Package, Rubber Clip	10	1
30	A	1078982	Strap, Leg	1	1
	I	1079815	Kit, Charger - USA Only	1	1
21			Battery Pack, Linak	1	1
25			Charger, Electric Only w/o Power Cord	1	1
26			Bracket, Wall Mount Charger	1	1
28			Cord, Power, USA	1	1

NOTE: A - Not Shown.
B - As of 1-28-2010, the pull ring changed to a pull handle.
C - Item is no longer serviceable in the field.
D - Used to Attach Acutator Motor, Part # 1132028 to Mast. See category titled, "Base Assembly - RPS350-2", for Reference.
E - 1142010 is now available from The Aftermarket Group (TAG) under part number TAG1142010.
F - This item is also a component of Actuator Mounting Hardware Kit (1177625)
G - No Longer Available. See part #1177605 as a replacement.
H - Power Cord not included with Charger.
I - Includes items 21,25,26,28