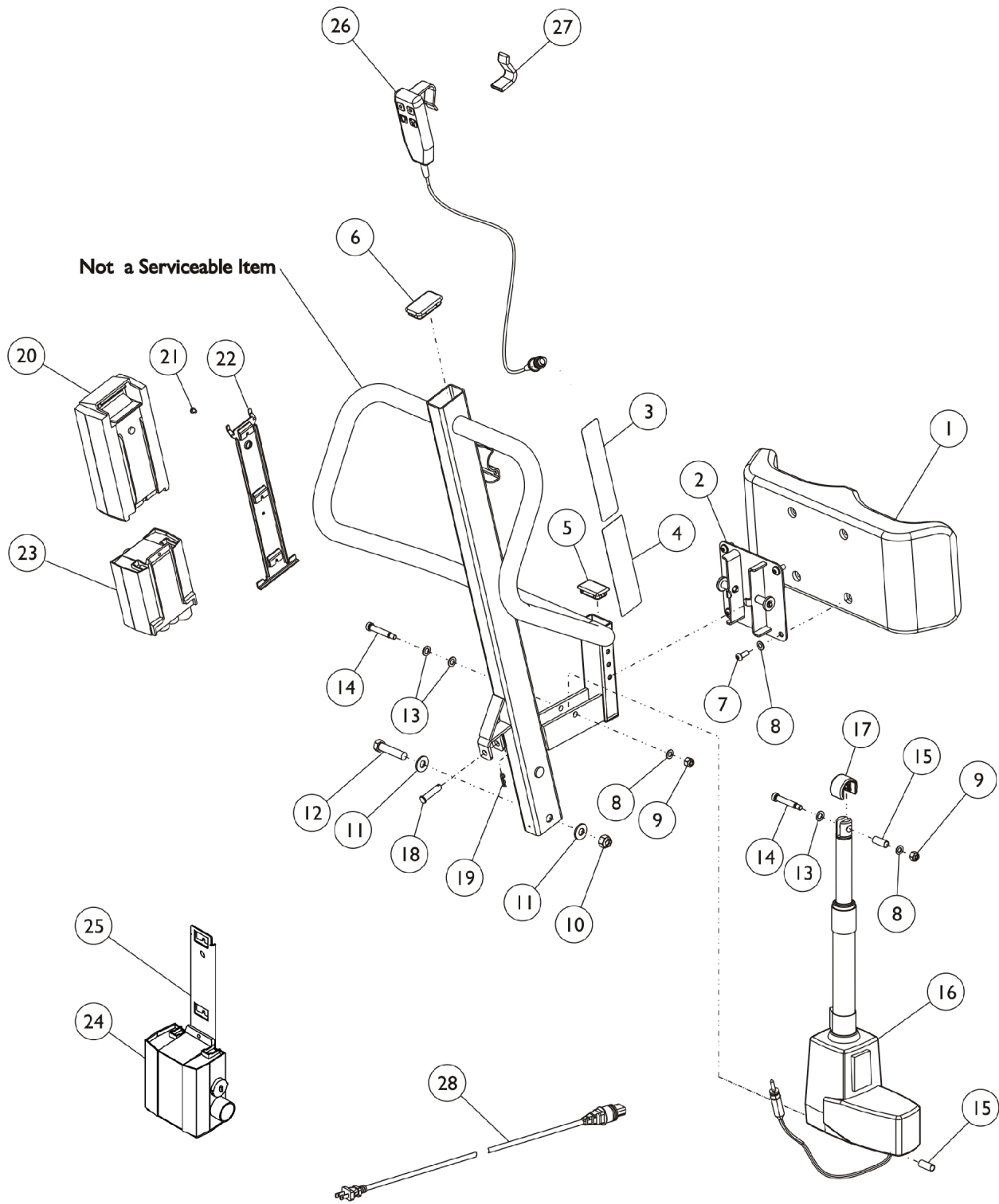


Mast Assembly - RPS350-2 (After 7/1/10)



Mast Assembly - RPS350-2 (After 7/1/10)

Item Number	Note	Part Number	Description	Quantity Per	
				Package	Assembly
1		1070803	Pad, Knee	1	1
2		1097071	Mounting, Pad	1	1
3		1073705-NLA	NLA - Decal, Reliant 350 Logo	1	1
4		1073699-NLA	NLA - Decal, Warning - Reliant 350	1	1
5		1065360	Cap, End, Black (1-1/4 x 2")	1	1
6		1065361	Cap, End, Black (1-1/2 x 2-1/2")	1	1
7		1071955	Screw, Socket Button Head (5/16-18 x 3/4")	1	4
8		1025704	Washer, Flat (5/16 x 5/8 x 1/16")	1	6
9		1064267	Locknut (5/16-18)	1	2
10		1078981	Locknut (1/2-13)	1	1
11		1068305	Washer (1/2")	1	2
12		1078979	Screw, Hex Head (1/2-13 x 2-1/4")	1	1
13		1065214	Washer, Flat (3/8 x 11/16 x 1/16")	1	3
14		1064455	Screw, Shoulder Hex Socket Head (3/8 x 1-3/4", 5/16-18)	1	2
15		1064443	Bushing (3/8 x 15/32 x 1-3/32")	1	2
16	B	1156180	Actuator, Motor	1	1
17		1155357	Cap, Actuator	1	1
18	C,D	1142010	Pin, Clevis (10mm x 44mm)	1	1
19	C,E	51000M743	Pin, Hitch (3/8 x 1-3/16")	1	1
20		1078276	Battery Pack, Linak	1	1
21		1078980	Screw, Phillips Pan Head (#10-24 x 1/4")	1	3
22		1078284	Bracket, Battery - Electric Only	1	1
23		1132050	Controller, Linak	1	1
24	G	1078274	Charger, Electric Only w/o Power Cord	1	1
25		1078306	Bracket, Wall Mount Charger	1	1
26	F	1132051	NLA - Pendant, Four Channel w/ Hook	1	1
26		1177605	Pendant, Four Channel w/ Hook	1	1
27		1161593	Package, Rubber Clip	10	1
28		1079133	Cord, Power, USA	1	1
29	A	1078982	Strap, Leg	1	1
	H	1079815	Kit, Charger - USA Only	1	1
20			Battery Pack, Linak	1	1
24			Charger, Electric Only w/o Power Cord	1	1
25			Bracket, Wall Mount Charger	1	1
28			Cord, Power, USA	1	1

NOTE: A - Not Shown.
 B - This item is for all Lifts manufactured after 7/1/2010 only. Please check for serial number of lift before ordering. Part does not work on lifts manufactured before 7/1/2010.
 C - Used to Attach Acuator Motor, Part # 1132028 to Mast. See category titled, "Base Assembly - RPS350-2", for Reference.
 D - 1142010 is now available from The Aftermarket Group (TAG) under part number TAG1142010.
 E - This item is also a component of Actuator Mounting Hardware Kit (1177625)
 F - No Longer Available. See part #1177605 as a replacement.
 G - Power Cord not included with Charger.
 H - Includes items 20,25,24,28