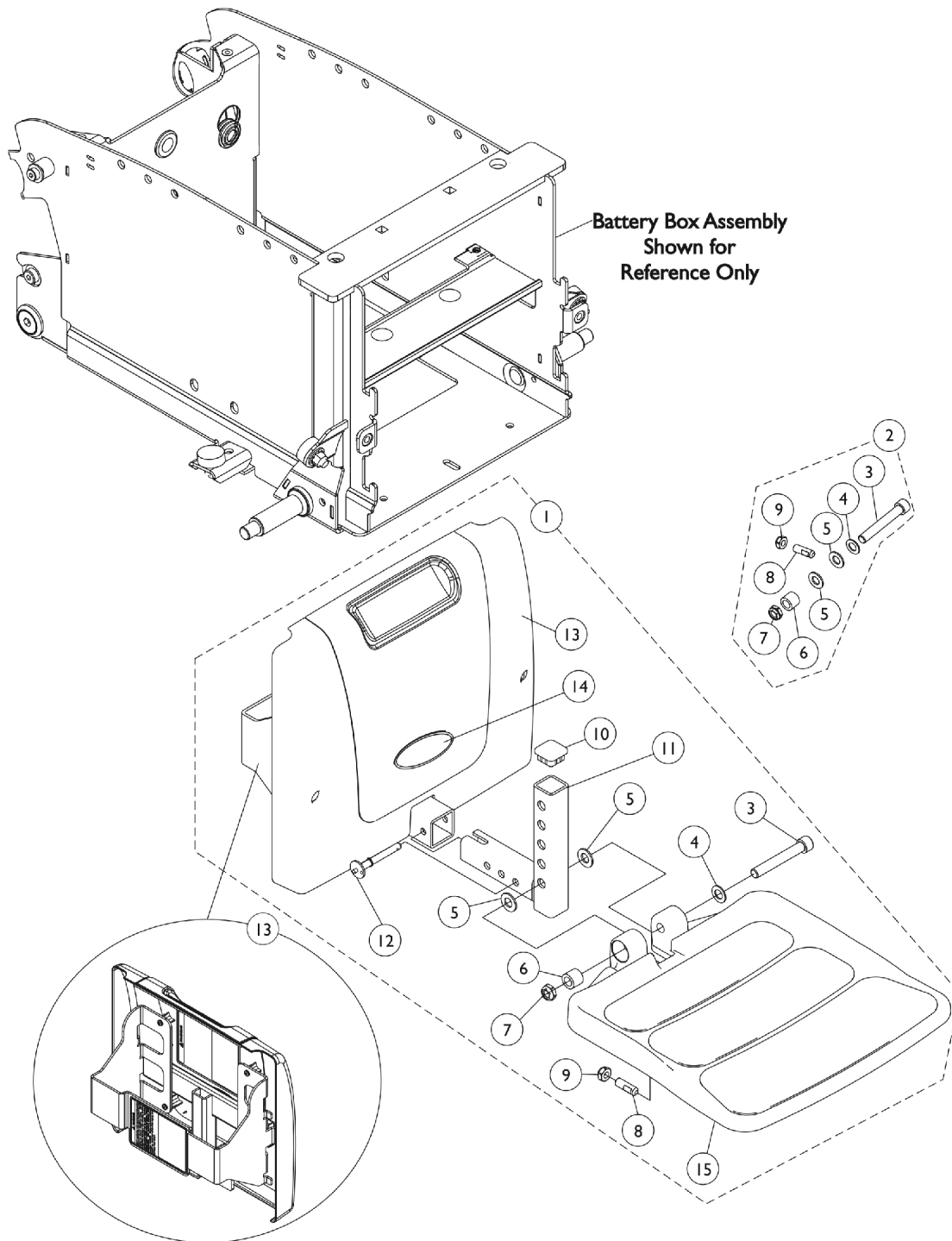


# 90FB Flip-Up Removable Footboard Assembly After 01/11/12



**Rear view of Shroud  
w/ Decal and Bracket Assembly**

## 90FB Flip-Up Removable Footboard Assembly After 01/11/12

Item Number	Note	Part Number	Description	Quantity Per	
				Package	Assembly
1	A	1170604	Kit, 90FB Footboard, Bracket, Shroud, Decals and Hardware	1	1
2	B	1147134	Kit, Footboard Mounting Hardware	1	1
3			Screw, Socket Head (3/8-16 x 2-1/2")	1	1
4			Washer, Flat (3/8 x 11/16 x 1/16")	1	1
5			Washer, Nylon (3/8 x 3/4 x 1/16")	1	2
6			Bushing (3/8 x 5/8 x 1/2")	1	1
7			Locknut, Low Profile (3/8-16)	1	1
8			Screw, Set Socket Flat Point (5/16-18 x 1")	1	1
9			Locknut (5/16-18)	1	1
10				1105038	Plug Button, Black (1" Square)
11	C	1106369	Bracket, Footboard Support, Black	1	1
12		1109011	Pin, Quick Release	1	1
13	D	1170600	Front Shroud and Bracket Assembly, 90FB	1	1
14		1090147-NLA	NLA - Decal, Invacare Medallion - Large	1	1
15		1114311	Footboard w/ Cover (11-1/4" W x 11-1/2" L)	1	1
		1154294-NLA	NLA - Owner's Manual, TDX SI/SI-HD Base	1	1
<p>NOTE: A - Includes items 3-15. Refer to the owner's manual (not shown) part #1154294 for Installation Instructions.            B - Includes items 3-9            C - Item #10 Plug Button is not included with the Footboard Support Bracket.            D - Includes item #14 Decal. The Front Shroud and Bracket Assembly are not sold separately</p>					