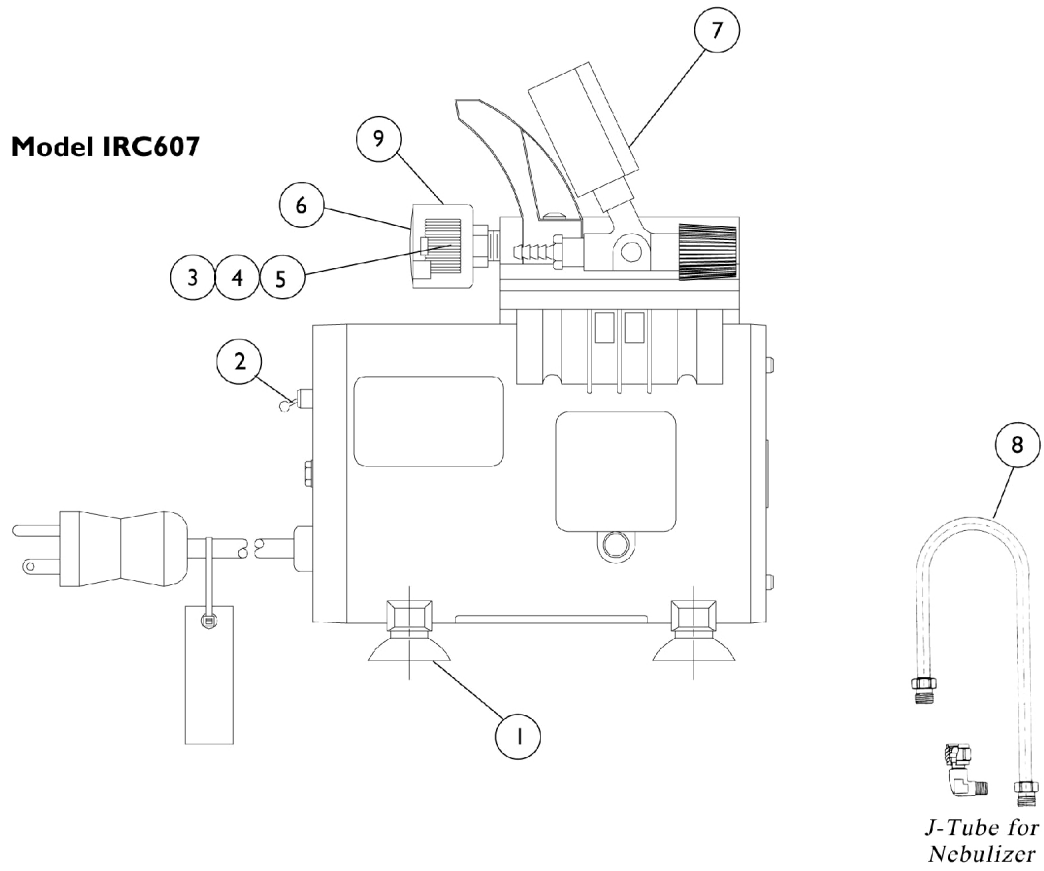


Compressor - 50PSI

Model - IRC607



Compressor - 50PSI Model - IRC607

Item Number	Note	Part Number	Description	Quantity Per	
				Package	Assembly
1	C	624266-NLA	NLA - Foot, Suction Cup	1	4
1		624496	Foot, Suction Cup	1	4
2		602136-NLA	NLA - Switch, On/Off	1	1
3		641034-NLA	NLA - Filter, Foam, Grey	1	1
4		641042-NLA	NLA - Filter, Felt	1	1
5		660710-NLA	NLA - Filter Body	1	1
6		660767-NLA	NLA - Cap, Filter Body	9	1
7		638122	Gauge, Pressure	1	1
8		IRC5070	J-Tube with DISS* Connector Assembly, Nebulizer	1	1
9	A	661575	Inlet Filter Assembly	1	1
	B	636960-NLA	NLA - Instruction Sheet, 50 PSI Compressor	1	1
	B	653016	Carton, 50PSI Compressor	1	1

NOTE: A - Includes Items 3-6
B - Not Shown
C - Part is no longer serviceable in the field as of 06/30/11. Use 624496 as its replacement.