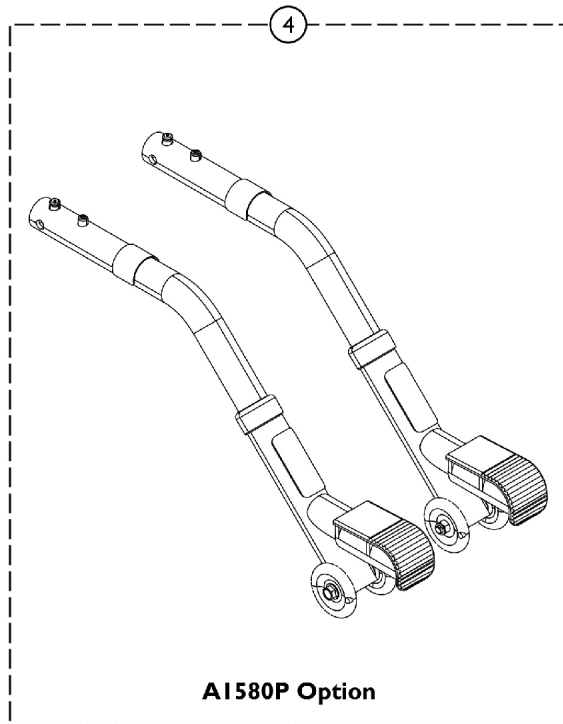
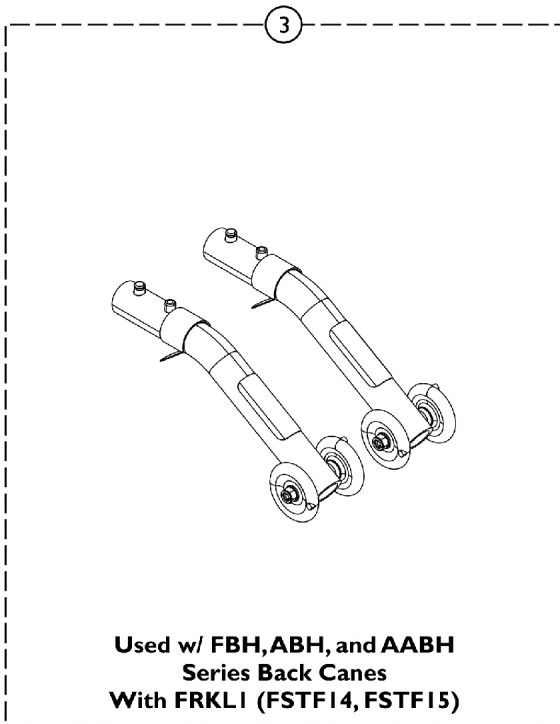
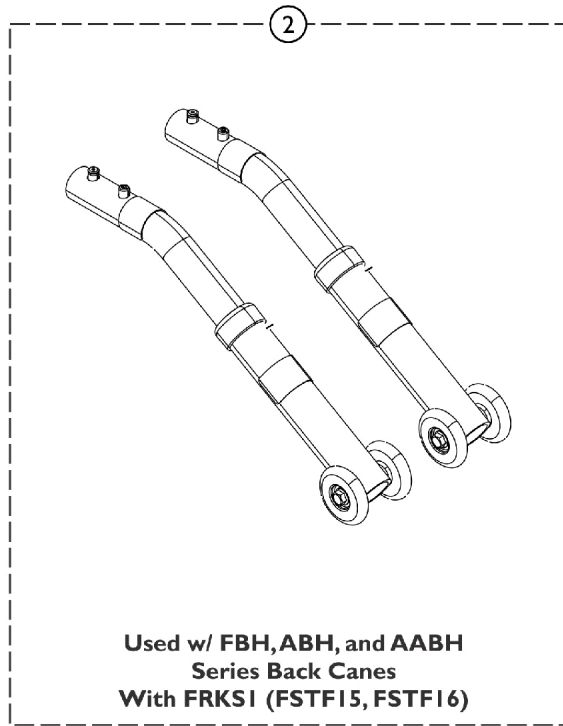
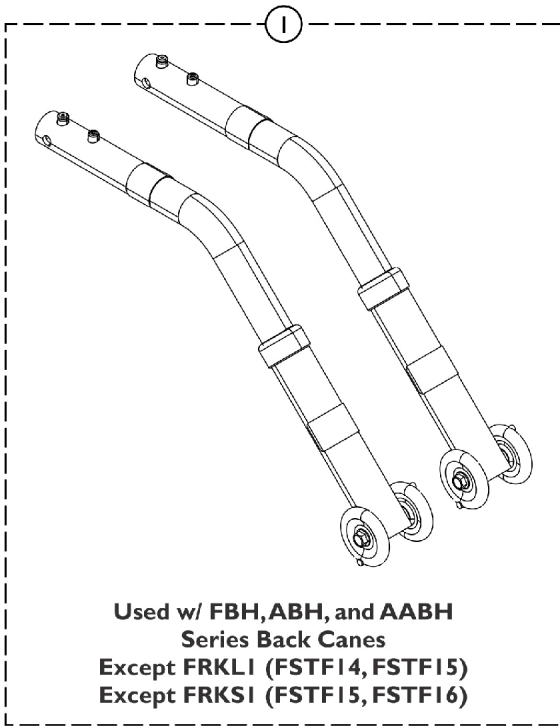


# Anti-Tippers (A1580, A1580P)



## Anti-Tippers (A1580, A1580P)

Item Number	Note	Part Number	Description	Quantity Per	
				Package	Assembly
1	A	1147653	Anti-Tip Assembly (Pair)	2	1
			Tube, Anti Tip Assembly	1	2
			NLA - Label, Warning, Anti-Tip	1	2
			NLA - Label, Warning, Anti-Tip	1	2
2	B	1173073	Anti-Tip Assembly, Low Seat to Floor (Pair)	2	1
			Tube, Anti-Tip Assembly, Low Seat to Floor	1	2
			NLA - Label, Warning, Anti-Tip	1	2
			NLA - Label, Warning, Anti-Tip	1	2
3	C	1173027	Anti-Tip Assembly, Super Low Seat to Floor (Pair)	2	1
			NLA - Tube, Anti-Tip Assembly, Super Low	1	2
			NLA - Label, Warning, Anti-Tip	1	2
			NLA - Label, Warning, Anti-Tip	1	2
4		1173028	Anti-Tip Assembly w/ Tipping Aid (Pair)	2	1
			Tube, Anti-Tip Assembly	1	2
			Tube, Anti-Tip Assembly w/ Tipping Aid	1	2
			Cap, Foot Support	1	2
			Screw, Hex Head Cap (M5 x .8 x 45mm)	1	2
			Wheel, 37.6	1	4
			Nut, Lock (M5 x .8)	1	2
			Spring, Torsion with Button Lock	1	2
			Button, Spring	1	2
			NLA - Anti-Rattle (1")	1	2
	NLA - Label, Warning, Anti-Tip	1	2		
	NLA - Label, Warning, Anti-Tip	1	2		
	D	1147676	Cap Kit, Step Tube	1	1
			Cap, Tube 25	1	2
See Chart			1	1	
Anti-Tipper Cross Reference			1	1	

NOTE: A - Used with FBH, ABH, and AABH Series Back Canes, except Chairs with FRKL1 and FRKS1 Forks.  
 B - Used with FBH, ABH, and AABH Series Back Canes and FRKS1 Forks.  
 C - Used with FBH, ABH, and AABH Series Back Canes and FRKL1 Forks.  
 D - Not shown in illustration, includes Tube Cap (2).

### Anti-Tipper Cross Reference

	FBH, ABH, and AABH Series Except for FRKL1 (RSTF14-15) Except for FRKS1 (RSTF15-16)	FBH, ABH, and AABH Series For FRKS1 (RSTF15-16)	FBH, ABH, and AABH Series For FRKL1 (RSTF14-15)	A1580P
Anti-Tipper Part No.	1147653	1173073	1173027	1173028