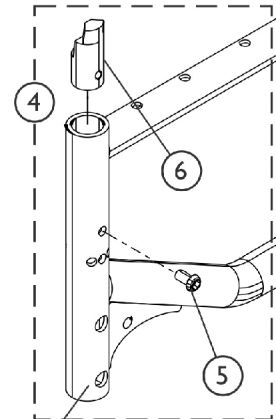
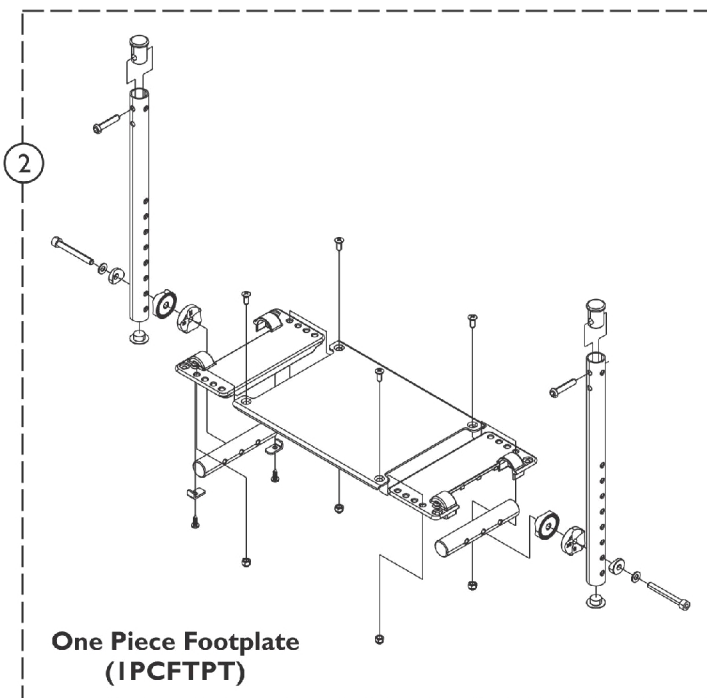
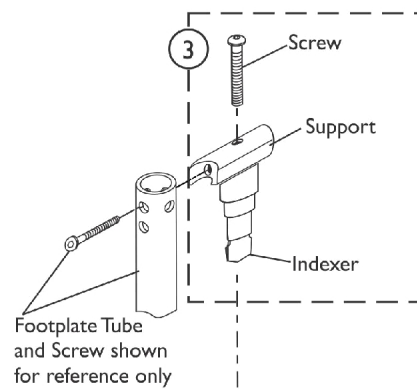
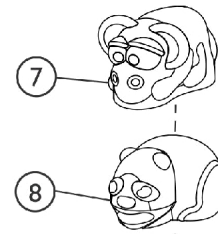
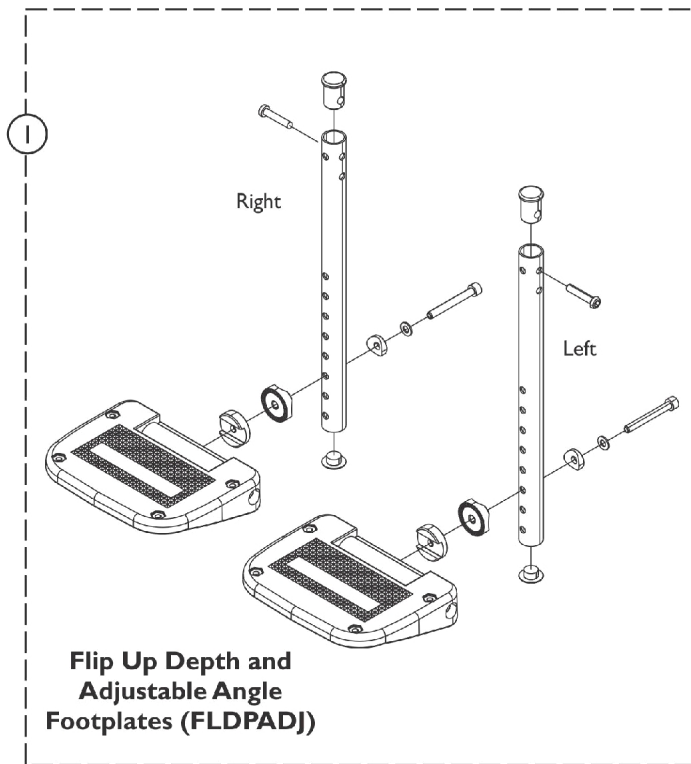


Footplate Assembly and 90 Degree Lift Off Pivot Hanger (90STRLIFT w/ FLDADJ Footrests or 1PCFTPT)



Partial view of side frame shown for reference only

Footplate Assembly and 90 Degree Lift Off Pivot Hanger (90STRLIFT w/ FLDADJ Footrests or 1PCFTPT)

Item Number	Note	Part Number	Description	Quantity Per	
				Package	Assembly
1	A	1512289	Footplate Assembly w/ Hardware, Adjustable (10 - 11" W)	2	1
1	A	1512291	Footplate Assembly w/ Hardware, Adjustable (12 - 13" W)	2	1
1	A	1512287	Footplate Assembly w/ Hardware, Adjustable (14" W)	2	1
1	A	1512410	Footplate Assembly w/ Hardware, Adjustable (15" W)	2	1
2		1528773	Footboard Assembly w/ Hardware, 90 Degree (8 - 11" W)	1	1
2		1528818	Footboard Assembly w/ Hardware, 90 Degree (12 - 15" W)	1	1
3	A,B	1513492	Lift Off Pivot Hanger Assembly, 90 Degree	2	1
4	C	1497559	Kit, Insert, Legrest	1	1
5			Screw, Socket Button Head (M6 x 1 x 12mm)	1	1
6			Insert, Legrest Orienter	1	1
7	A	1511844	Cover, Hanger, 90 Degree, Monkey	2	1
8	A	1511843	Cover, Hanger, 90 Degree, Panda	2	1
NOTE: A - Accommodates both the right and left side of the wheelchair. B - Includes 2 ea. Screws, Supports and Indexers C - Includes items 5 and 6					