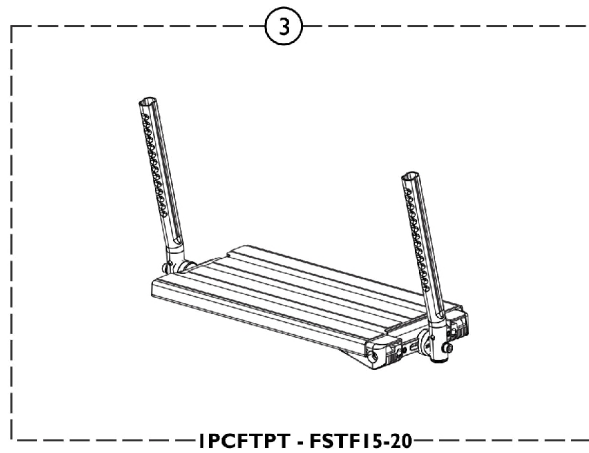
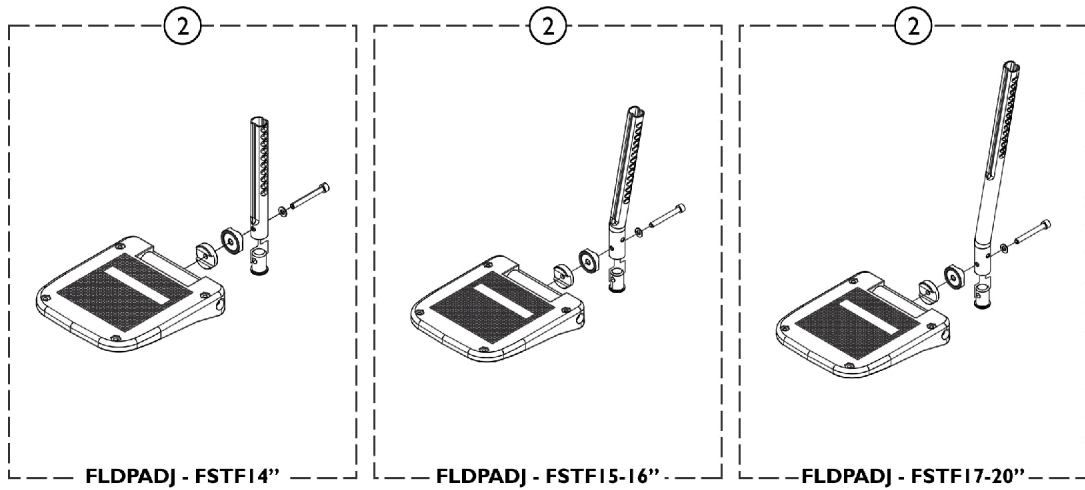
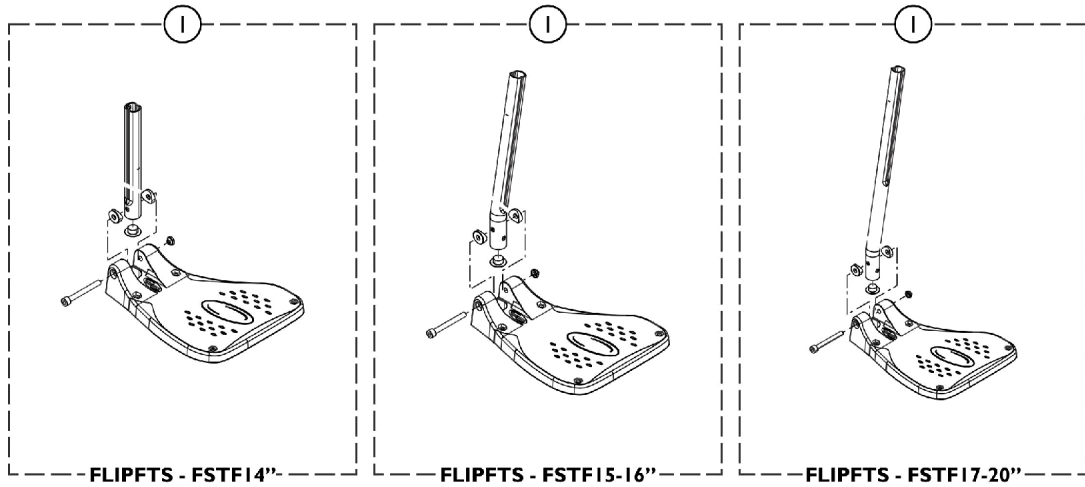


Footplate Assembly - Adult Standard (FLIPFTS, FLDPADJ, and 1PCFTPT)



Footplate Assembly - Adult Standard (FLIPFTS, FLDPADJ, and 1PCFTPT)

Item Number	Note	Part Number	Description	Quantity Per	
				Package	Assembly
1		See Chart	#1 Footplate Assembly, Flip Up (FLIPFTS)	1	2
2		See Chart	#2 Footplate Assembly, Flip Up Depth and Adjustable Angle (FLDPADJ)	1	2
3		See Chart	#3 One Piece Footplate Assembly (1PCFTPT)	1	1

#1 Footplate Assembly, Flip Up (FLIPFTS)

Footplate Type	Seat to Floor Height	15 - 16" W Left	15 - 16" W Right	17 - 18" W Left	17 - 18" W Right	19 - 20" W Left	19 - 20" W Right
FLIPFTS	14"	1169119	1169120	1169121	1169122	1169123	1169124
FLIPFTS	15 - 16"	1530620	1530614	1530622	1530616	1530623	1530617
FLIPFTS	17 - 20"	1530633	1530630	1530634	1530631	1530635	1530632

#2 Footplate Assembly, Flip Up Depth and Adjustable Angle (FLDPADJ)

Footplate Type	Chair Width	Seat to Floor Height FSTF14"	Seat to Floor Height FSTF15-16"	Seat to Floor Height FSTF17-20"
FLDPADJ	15" W - Left	1169131	1428657	1440816
FLDPADJ	15" W - Right	1169125	1428651	1440810
FLDPADJ	16" W - Left	1169132	1428658	1440817
FLDPADJ	16" W - Right	1169126	1428652	1440811
FLDPADJ	17" W - Left	1169133	1428659	1440818
FLDPADJ	17" W - Right	1169127	1428653	1440812
FLDPADJ	18" W - Left	1169134	1428660	1440819
FLDPADJ	18" W - Right	1169128	1428654	1440813
FLDPADJ	19" W - Left	1169135	1428661	1440820
FLDPADJ	19" W - Right	1169129	1428655	1440814
FLDPADJ	20" W - Left	1169136	1428662	1440821
FLDPADJ	20" W - Right	1169130	1428656	1440815

Footplate Assembly - Adult Standard (FLIPFTS, FLDPADJ, and 1PCFTPT)

#3 One Piece Footplate Assembly (1PCFTPT)

Footplate Type	Seat to Floor Height	15" W	16" W	17" W	18" W	19" W	20" W
1PCFTPT	15 - 20"	1496945	1496946	1496947	1496948	1496949	1496953