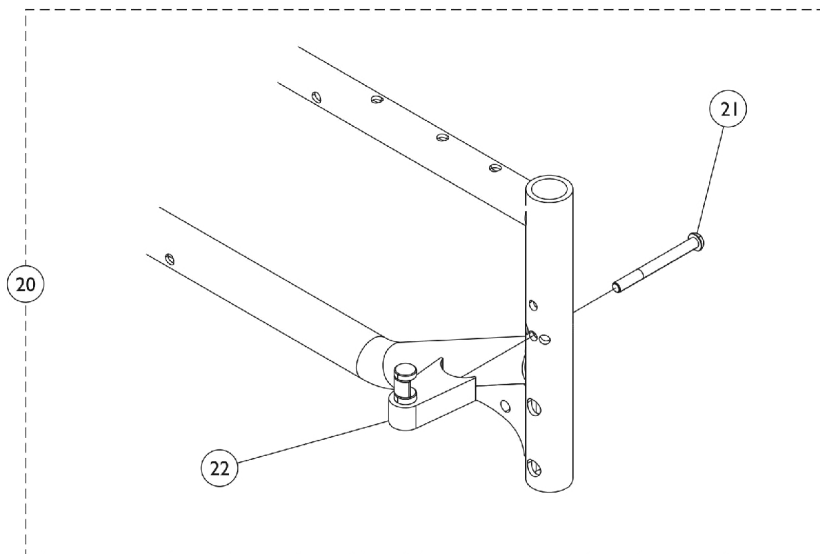
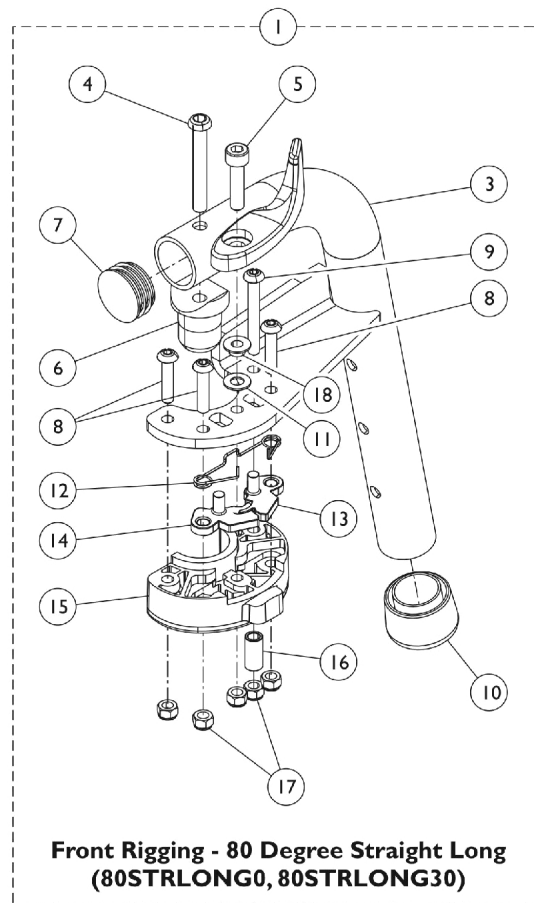
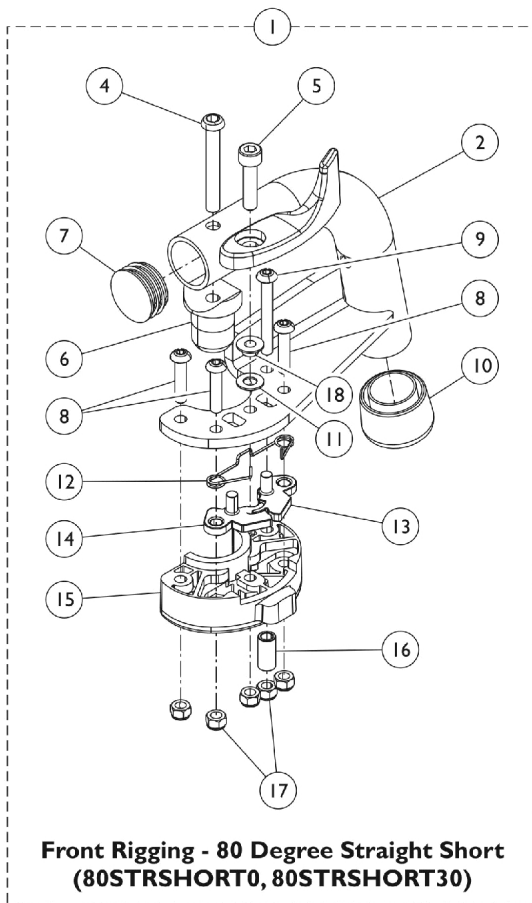


Front Riggings - Junior 80 Degree Swing Hangers



Front Riggings - Junior 80 Degree Swing Hangers

Item Number	Note	Part Number	Description	Quantity Per	
				Package	Assembly
1	A	8881514392	Hanger Assembly w/ Hardware, 80 Degree, Long - Right	1	1
3			Hanger Bar, 80 Degree, Long, Color - Right	1	1
4			Screw (M6 x 45mm)	1	1
5			Screw (M5 x .8 x 25mm)	1	1
6			Pivot, Hanger, 80 Degree	1	1
7			Cap, Cylinder, Hanger	1	1
8			Screw (M5 x .8 x 23mm)	1	3
9			Screw (M5 x .8 x 40mm)	1	1
10			Collar, Anti-Rattle	1	1
11			Washer (M6 x 12mm x 0.8mm)	1	1
12			Spring, Double	1	1
13			Lock, Latch Release, Female	1	1
14			Lock, Latch Release, Male	1	1
15			Housing, Latch	1	1
16			Bushing, Latch Housing	1	1
17			Nut, Lock (M5 x .8)	1	5
18			Bushing, Latch	1	1
1	A	8881514393	Hanger Assembly w/ Hardware, 80 Degree, Long - Left	1	1
3			Hanger Bar, 80 Degree, Long, Color - Left	1	1
4			Screw (M6 x 45mm)	1	1
5			Screw (M5 x .8 x 25mm)	1	1
6			Pivot, Hanger, 80 Degree	1	1
7			Cap, Cylinder, Hanger	1	1
8			Screw (M5 x .8 x 23mm)	1	3
9			Screw (M5 x .8 x 40mm)	1	1
10			Collar, Anti-Rattle	1	1
11			Washer (M6 x 12mm x 0.8mm)	1	1
12			Spring, Double	1	1
13			Lock, Latch Release, Female	1	1
14			Lock, Latch Release, Male	1	1
15			Housing, Latch	1	1
16			Bushing, Latch Housing	1	1
17			Nut, Lock (M5 x .8)	1	5
18			Bushing, Latch	1	1
20	B	1169143	Kit, Hardware, Block Sector	1	1
21			Screw (M6 x 1 x 60mm)	1	1
22			Position Latch	1	1

NOTE: A - Includes items 3, and 4-19.
 B - Includes items 21 and 22.