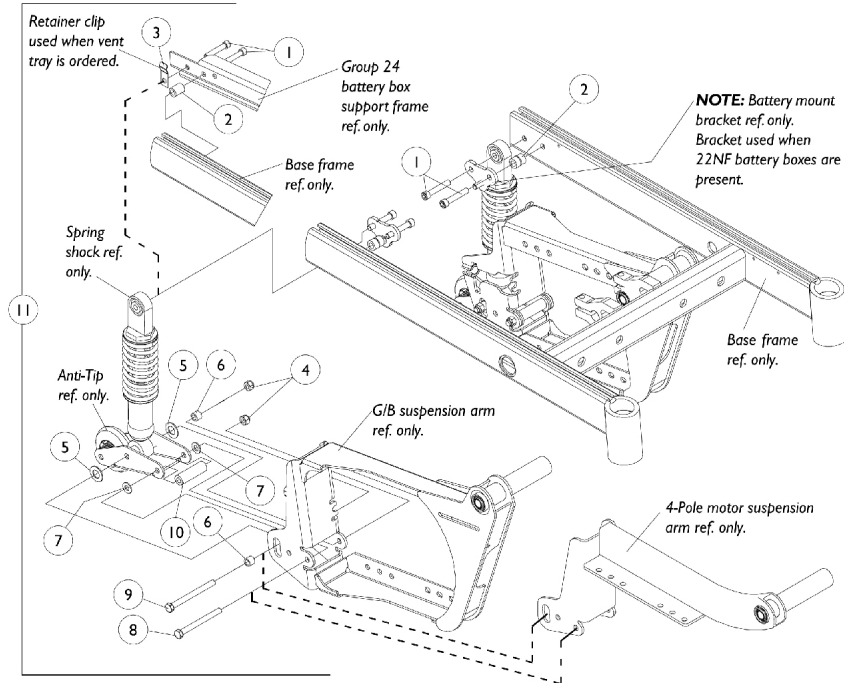


Shock Suspension Mounting Hardware

All Shock Absorbers

NOTE: Gearless/Brushless and 4-pole motor suspension arms use the same shock suspension mounting hardware.



Item Number	Note	Part Number	Description	Quantity Per	
				Package	Assembly
1		1104845	Screw, Socket Head w/ Patch (5/16-18 x 1-3/4")	1	4
2	C	1104881	Spacer (3/8 x 5/8 x 3/4")	1	2
2	D	1039649-NLA	NLA - Spacer (3/8 x 5/8 x 25/32")	1	2
3		1049550-NLA	NLA - Clip, Retainer	1	2
4		1026158	Locknut (5/16-18)	1	4
5		1031673-NLA	NLA - Washer, Nylon (35/64 x 1 x 1/16")	1	4
6		1104856	Spacer (5/16 x 1/2 x 3/8")	1	4
7		1026032	Washer, Nylon (11/32 x 11/16 x 1/16")	1	4
8		1070397-NLA	NLA - Screw, Hex Head (5/16-18 x 3-1/4")	1	2
9		1105474-NLA	NLA - Screw, Hex Head (5/16-18 x 3-1/2")	1	2
10		1104847	Spacer (5/16 x 5/8 x 2")	1	2
11	A,C	1104868-NLA	NLA - Hardware, Shock Mounting	2	1
11	B,D	1105546-NLA	NLA - Hardware, Shock Mounting	2	1

NOTE: A - Includes items 1, 2 and 4-10 (Pair)
 B - Includes items 1-10 (Pair)
 C - For 22NF batteries and (Group 24 batteries without a vent tray)
 D - Group 24 batteries with a vent tray that is ordered with a Tarsys 2G Powered Seating System. Does not apply to Formula CG Powered Seating System