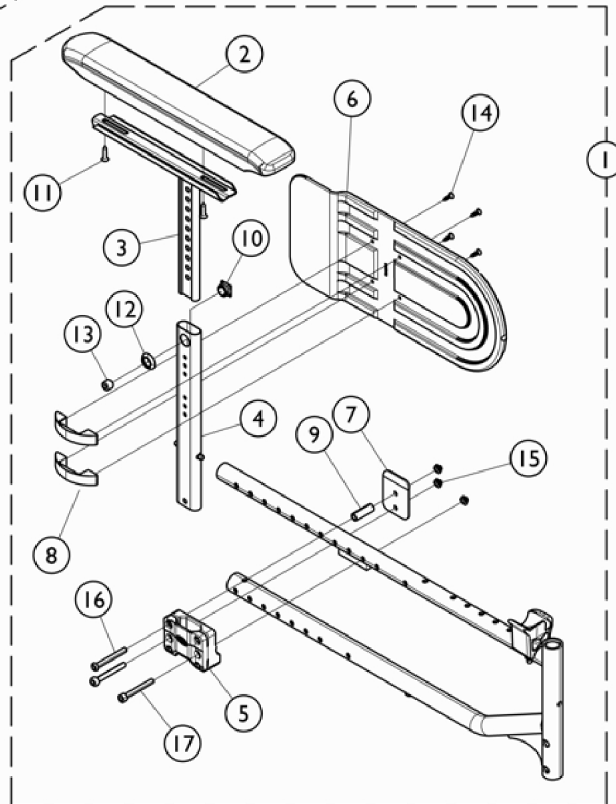
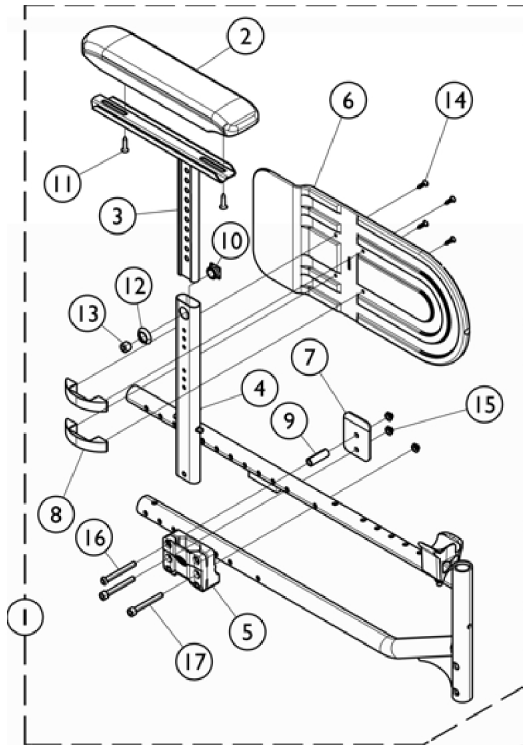


# Arms - T Style Adjustable - Heavy Duty

Desk Length (TAD), Full Length (TAF)



## Arms - T Style Adjustable - Heavy Duty Desk Length (TAD), Full Length (TAF)

Item Number	Note	Part Number	Description	Quantity Per	
				Package	Assembly
1	A	1478770	T-Arm Assembly w/ Hardware, Desk Length, Heavy Duty - Right	1	1
2			Arm Pad, Desk Length	1	1
3			Tube, Armrest - Right	1	1
4			NLA - Support, Armrest	1	1
5			Guard, Side, Clothing	1	1
6			Support, T Arm, Heavy Duty	1	1
7			Spacer, Nylon	1	1
8			Plug Button, Black (3/4")	1	2
9			Screw, Socket, Button Head (M5 x 35mm)	1	2
10			Screw, Phillips Flat Head (#4-40 x 3/8")	1	1
11			Screw (M40 x 14mm)	1	2
12			Nut, Double, Plastic	1	1
13			Screw, Socket Button Head (M6 x 53mm)	1	1
14			Screw, Socket Head (M6 x 50)	1	2
15			NLA - Locknut (M6 x 1)	1	4
1	A	1478771	T-Arm Assembly w/ Hardware, Desk Length, Heavy Duty - Left	1	1
2			Arm Pad, Desk Length	1	1
3			Tube, Armrest, Black - Left	1	1
4			NLA - Support, Armrest	1	1
5			Guard, Side, Clothing	1	1
6			Support, T Arm, Heavy Duty	1	1
7			Spacer, Nylon	1	1
8			Plug Button, Black (3/4")	1	2
9			Screw, Socket, Button Head (M5 x 35mm)	1	2
10			Screw, Phillips Flat Head (#4-40 x 3/8")	1	1
11			Screw (M40 x 14mm)	1	2
12			Nut, Double, Plastic	1	1
13			Screw, Socket Button Head (M6 x 53mm)	1	1
14			Screw, Socket Head (M6 x 50)	1	2
15			NLA - Locknut (M6 x 1)	1	4
1	B	1487439	T-Arm Assembly, Central w/ Hardware, Full Length, Heavy Duty - Left	1	1
2			Pad, Arm, Full Length	1	1
3			Arm Pad Mounting Assembly - Left	1	1
4			Tube, Mounting, Adjustable	1	1
5			NLA - Support, Armrest	1	1
6			Guard, Clothing	1	1
7			Support, T Arm, Heavy Duty	1	1
8			Bracket, Clothing Guard	1	2
9			Spacer, Nylon	1	1
10			Nut, Square, Armrest	1	1
11			Screw, Countersunk (M4.8)	1	2
12			Bushing, Armrest	1	1
13			Screw, Socket Head (M12 x 12.5)	1	1

## Arms - T Style Adjustable - Heavy Duty Desk Length (TAD), Full Length (TAF)

Item Number	Note	Part Number	Description	Quantity Per	
				Package	Assembly
14			Screw (M4.2 - 16 8.8)	1	4
15			NLA - Locknut (M6 x 1)	1	3
16			Screw, Socket Button Head (M6 x 53mm)	1	1
17			Screw, Socket Head (M6 x 50)	1	2
1	B	1487440	T-Arm Assembly, Central w/ Hardware, Full Length, Heavy Duty - Right	1	1
2			Pad, Arm, Full Length	1	1
3			Arm Pad Mounting Assembly - Right	1	1
4			Tube, Mounting, Adjustable	1	1
5			NLA - Support, Armrest	1	1
6			Guard, Clothing	1	1
7			Support, T Arm, Heavy Duty	1	1
8			Bracket, Clothing Guard	1	2
9			Spacer, Nylon	1	1
10			Nut, Square, Armrest	1	1
11			Screw, Countersunk (M4.8)	1	2
12			Bushing, Armrest	1	1
13			Screw, Socket Head (M12 x 12.5)	1	1
14			Screw (M4.2 - 16 8.8)	1	4
15			NLA - Locknut (M6 x 1)	1	3
16			Screw, Socket Button Head (M6 x 53mm)	1	1
17			Screw, Socket Head (M6 x 50)	1	2
NOTE: A - Includes items 2 - 15. B - Includes items 2 - 17.					