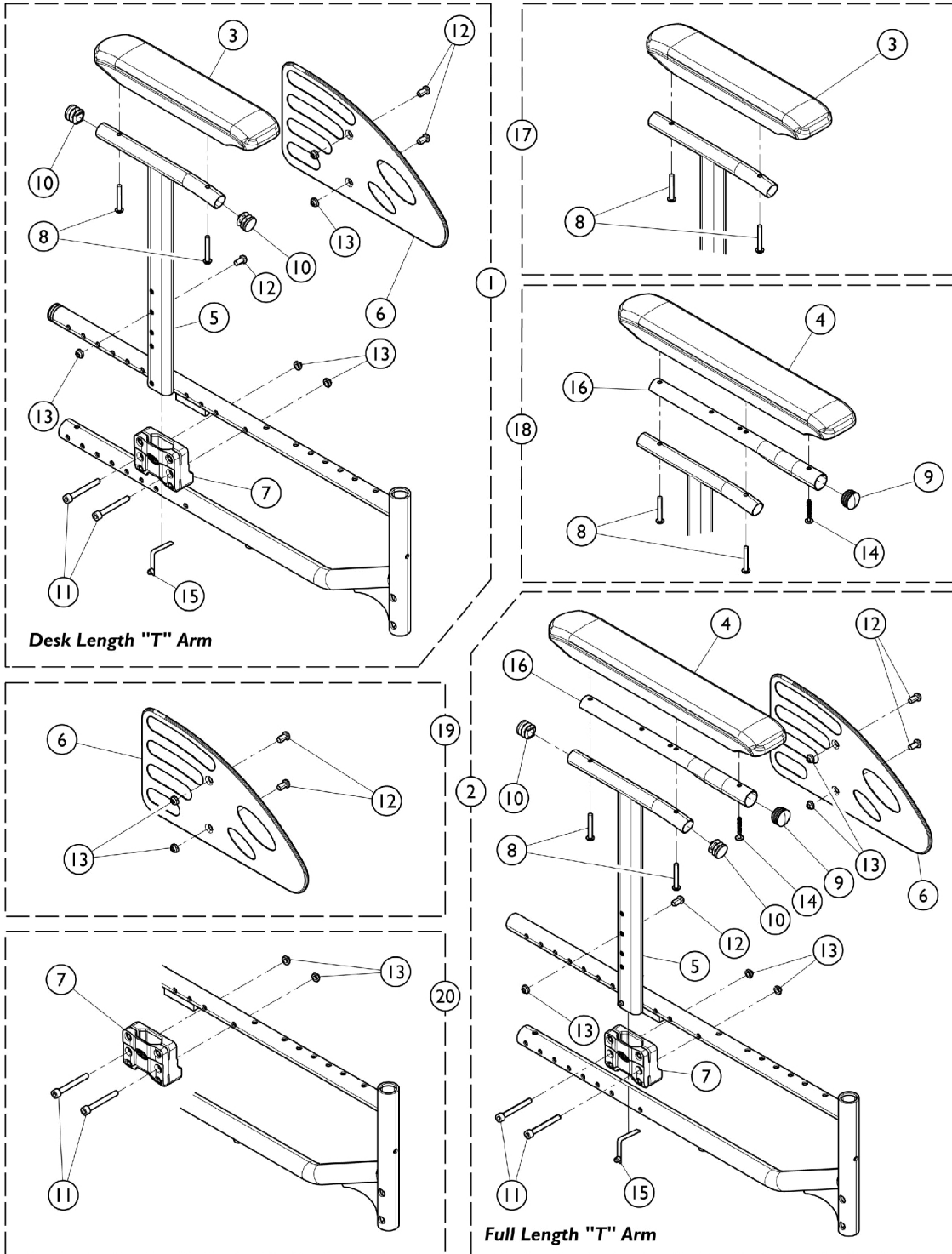


Arms - T Style Adjustable

Desk Length (TAD), Full Length (TAF)



Arms - T Style Adjustable Desk Length (TAD), Full Length (TAF)

Item Number	Note	Part Number	Description	Quantity Per		
				Package	Assembly	
1	A	1428596-0601	Armrest, T-Arm, Adjustable Height, Desk - Right	1	1	
3			Arm Pad, Desk Length	1	1	
5			Tube, Armrest - Right	1	1	
6			Guard, Clothing - Right/Left	1	1	
7			NLA - Support, Armrest	1	1	
8			Screw, Socket, Button Head (M5 x 35mm)	1	2	
9			Screw, Socket Button Head (M6 x 1 x 12mm)	1	3	
10			NLA - Locknut (M6 x 1)	1	5	
11			Plug Button, Black (3/4")	1	2	
12			Screw, Socket Head (M6 x 50)	1	2	
13			Screw, Socket Button Head (M6 x 1 x 12mm)	1	3	
1	A		1428597-0601	Armrest, T-Arm, Adjustable Height, Desk - Left	1	1
3				Arm Pad, Desk Length	1	1
5		Tube, Armrest, Black - Left		1	1	
6		Guard, Clothing - Right/Left		1	1	
7		NLA - Support, Armrest		1	1	
8		Screw, Socket, Button Head (M5 x 35mm)		1	2	
10		Plug Button, Black (3/4")		1	2	
11		Screw, Socket Head (M6 x 50)		1	2	
12		Screw, Socket Button Head (M6 x 1 x 12mm)		1	3	
13		NLA - Locknut (M6 x 1)		1	5	
2	B	1428598-0601		Armrest, T-Arm, Adjustable Height, Full - Right	1	1
4				Arm Pad, Full Length	1	1
5				Tube, Armrest - Right	1	1
6			Guard, Clothing - Right/Left	1	1	
7			NLA - Support, Armrest	1	1	
8			Screw, Socket, Button Head (M5 x 35mm)	1	2	
9			Button, Plug (22mm)	1	1	
10			Plug Button, Black (3/4")	1	2	
11			Screw, Socket Head (M6 x 50)	1	2	
12			Screw, Socket Button Head (M6 x 1 x 12mm)	1	3	
13			NLA - Locknut (M6 x 1)	1	5	
14			Screw, Socket Head, Torx (K50 x 30mm)	1	1	
15			Washer (.250 x .562 x .065/036)	1	2	
16		Tube, Support, Armpad, Full Length	1	1		
2	B	1428599-0601	Armrest, T-Arm, Adjustable Height, Full - Left	1	1	
4			Arm Pad, Full Length	1	1	
5			Tube, Armrest, Black - Left	1	1	
6			Guard, Clothing - Right/Left	1	1	
7			NLA - Support, Armrest	1	1	
8			Screw, Socket, Button Head (M5 x 35mm)	1	2	
9			Button, Plug (22mm)	1	1	
10			Plug Button, Black (3/4")	1	2	
11			Screw, Socket Head (M6 x 50)	1	2	
12			Screw, Socket Button Head (M6 x 1 x 12mm)	1	3	
13			NLA - Locknut (M6 x 1)	1	5	

Arms - T Style Adjustable Desk Length (TAD), Full Length (TAF)

Item Number	Note	Part Number	Description	Quantity Per	
				Package	Assembly
14			Screw, Socket Head, Torx (K50 x 30mm)	1	1
15			Washer (.250 x .562 x .065/036)	1	2
16			Tube, Support, Armpad, Full Length	1	1
17	C	1182182	Kit, Armpad, Full Length (Pair) (CNAF, TAF)	1	1
3			Arm Pad, Full Length	1	2
8			Screw, Socket, Button Head (M5 x 35mm)	1	8
	G	1162413	Kit, Armpad, Desk Length (Pair) (CNAD, TAD)	1	1
			Arm Pad, Desk Length	1	2
			Screw, Socket, Button Head (M5 x 35mm)	1	6
18	D	1432595	Kit, Desk to Full Armpad w/ Tube and Hardware	1	1
4			Arm Pad, Full Length	1	1
9			Button, Plug, Reflector (22mm)	1	1
14			Screw, Socket, Button Head (M5 x 35mm)	1	4
16			Tube, Support, Armpad, Full Length	1	1
20	E	1430421	Kit, Attaching Hardware, T-Arm	1	1
7			NLA - Support, Armrest	1	1
11			Screw, Socket Head (M6 x 50)	1	2
13			NLA - Locknut (M6 x 1)	1	2
19	F	1151387	Kit, Clothing Guard w/ Hardware	1	1
6			Guard, Clothing - Right/Left	1	1
12			Screw, Socket Button Head (M6 x 1 x 12mm)	1	3
13			NLA - Locknut (M6 x 1)	1	3
9		1151389	Package, Plug Button, Black (3/4")	10	1
10		1151390-NLA	NLA - Package, Plug Button, Black (22mm)	10	1
NOTE: A - Includes items 3, and 5 - 13. B - Includes items 4, 9, 14, 16 C - Kit includes items 3 and 8. D - Kit includes items 4, 9, 14, and 16. E - Kit includes items 7, 11, and 13. F - Kit includes items 6, 12, and 13. G - Kit includes Desk Length Arm Pad (2) and Screws (3). Not shown in illustration.					