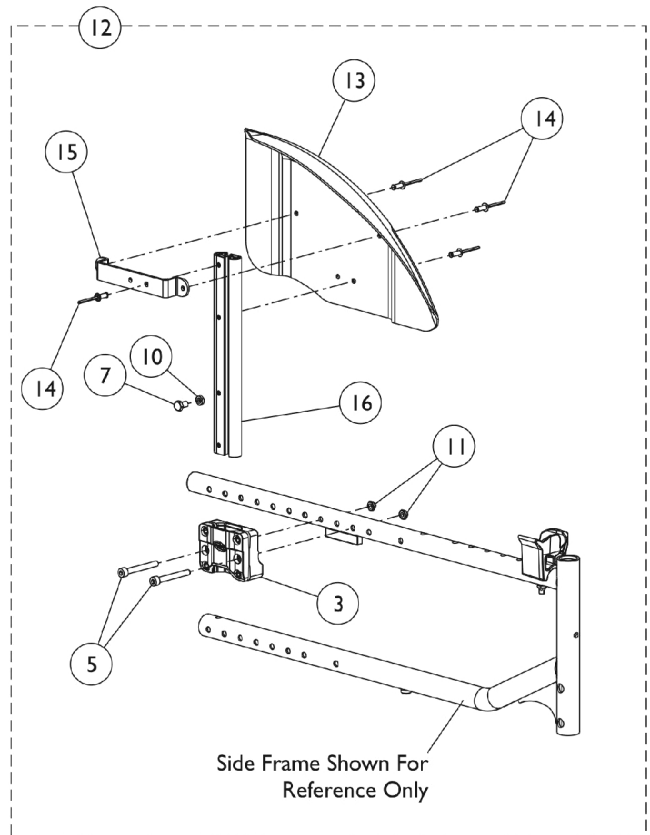
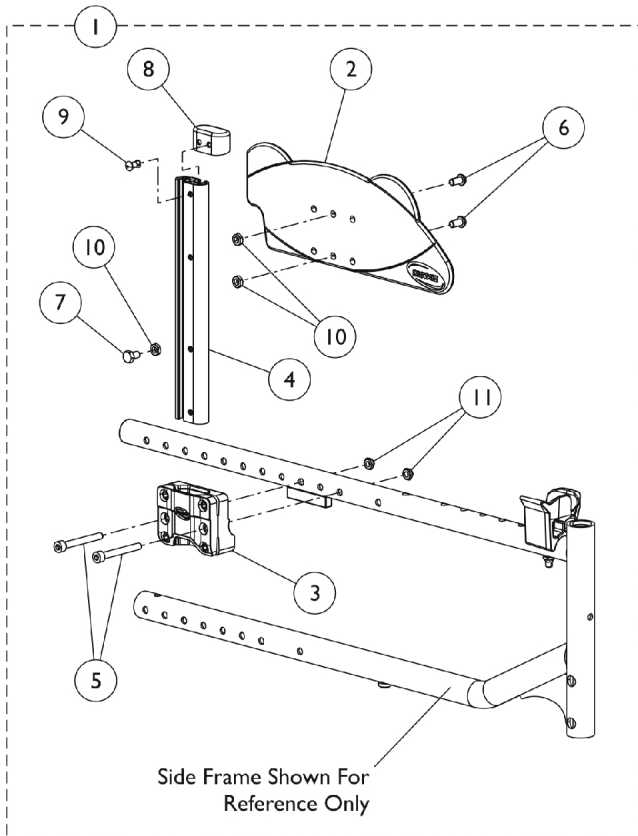


Side Guards, Clothing Guards, and Mud Guards



Side Guards, Clothing Guards, and Mud Guards

Item Number	Note	Part Number	Description	Quantity Per	
				Package	Assembly
1	A	1512647	Clothing Guard Assembly, Junior - Right	1	1
2			Guard, Clothing, Junior	1	1
3			NLA - Support, Armrest	1	1
4			Support, Side Guard	1	1
5			Screw, Socket Head (M6 x 50)	1	2
6			Screw, Socket Button Head (M6 x 1 x 12mm)	1	2
7			Screw (M6 x 1 x 10mm)	1	1
8			Cap, Guard Support	1	1
9			Rivet	1	1
10			Nut (M6)	1	3
11			NLA - Locknut (M6 x 1)	1	2
1	A	1513214	Clothing Guard Assembly, Junior - Left	1	1
2			Guard, Clothing, Junior	1	1
3			NLA - Support, Armrest	1	1
4			Support, Side Guard	1	1
5			Screw, Socket Head (M6 x 50)	1	2
6			Screw, Socket Button Head (M6 x 1 x 12mm)	1	2
7			Screw (M6 x 1 x 10mm)	1	1
8			Cap, Guard Support	1	1
9			Rivet	1	1
10			Nut (M6)	1	3
11			NLA - Locknut (M6 x 1)	1	2
12	B,C	1492738	Side Guard Assembly w/ Hardware, Black - Right	1	1
3			NLA - Support, Armrest	1	1
5			Screw, Socket Head (M6 x 50)	1	2
7			Screw (M6 x 1 x 10mm)	1	1
10			Nut (M6)	1	1
11			NLA - Locknut (M6 x 1)	1	2
13			Guard, Side - Right	1	1
14			Rivet (4.8mm x 12mm)	1	4
15			Plate, Reinforcing	1	1
16			Support, Side Guard	1	1
12	B,C		1492739	Side Guard Assembly w/ Hardware, Black - Left	1
3		NLA - Support, Armrest		1	1
5		Screw, Socket Head (M6 x 50)		1	2
7		Screw (M6 x 1 x 10mm)		1	1
10		Nut (M6)		1	1
11		NLA - Locknut (M6 x 1)		1	2
13		Guard, Side - Left		1	1
14		Rivet (4.8mm x 12mm)		1	4
15		Plate, Reinforcing		1	1
16		Support, Side Guard		1	1
12	B,D	1486041		Side Guard Assembly w/ Hardware, Forward - Right	1
3			NLA - Support, Armrest	1	1
5			Screw, Socket Head (M6 x 50)	1	2
7			Screw (M6 x 1 x 10mm)	1	1
10			Nut (M6)	1	1

Side Guards, Clothing Guards, and Mud Guards

Item Number	Note	Part Number	Description	Quantity Per	
				Package	Assembly
11			NLA - Locknut (M6 x 1)	1	2
13			Guard, Side - Right	1	1
14			Rivet (4.8mm x 12mm)	1	4
15			Plate, Reinforcing	1	1
16			Support, Side Guard	1	1
12	B,D	1486042	Side Guard Assembly w/ Hardware, Forward - Left	1	1
3			NLA - Support, Armrest	1	1
5			Screw, Socket Head (M6 x 50)	1	2
7			Screw (M6 x 1 x 10mm)	1	1
10			Nut (M6)	1	1
11			NLA - Locknut (M6 x 1)	1	2
13			Guard, Side - Left	1	1
14			Rivet (4.8mm x 12mm)	1	4
15			Plate, Reinforcing	1	1
16			Support, Side Guard	1	1
<p>NOTE: A - Includes items 2 - 11. Used with model RESK B - Includes items 3, 5, 7, 10, 11, and 13 - 16. C - Used for models (A1571 w/ 16-17" Seat Depth), and model REMG D - Used for models (A1571 w/ 18-20" Seat Depth)</p>					