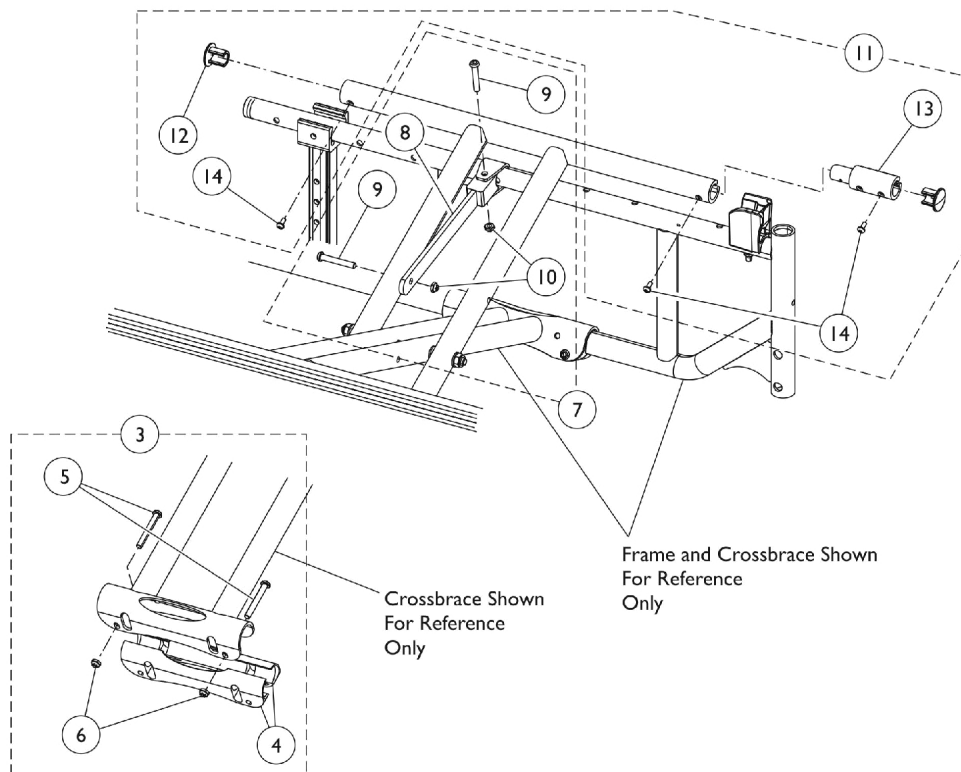
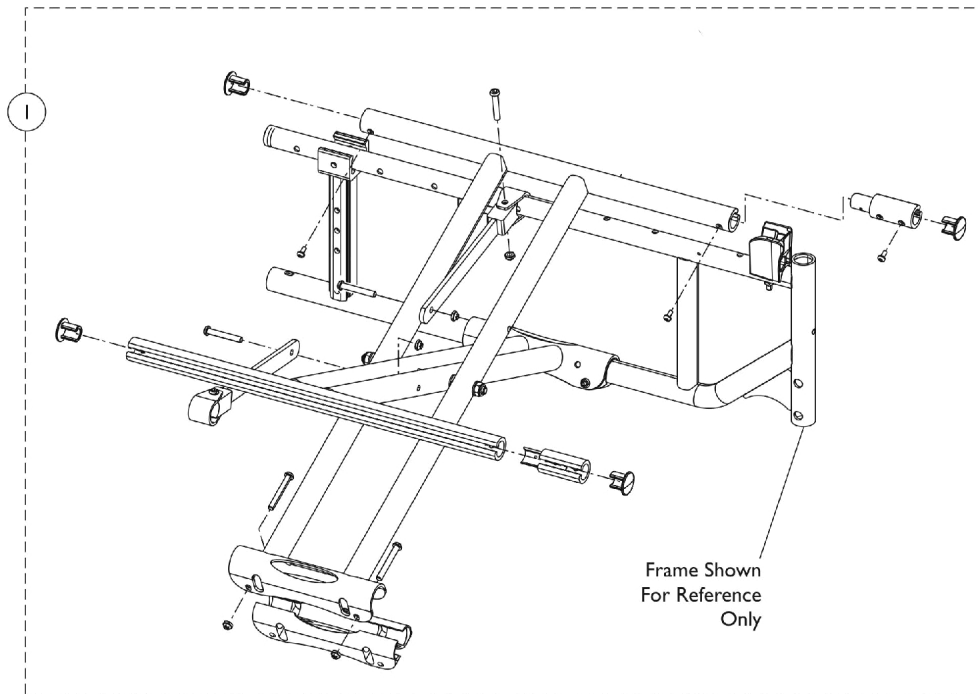


# Crossbrace - Conventional Fixed Depth, Heavy Duty (HDPG FXDDPTH)



## Crossbrace - Conventional Fixed Depth, Heavy Duty (HDPG FXDDPTH)

Item Number	Note	Part Number	Description	Quantity Per			
				Package	Assembly		
1	A	See Chart	#1 Crossbrace Assembly w/ Hardware - Myon Active HD	1	1		
3	B	1173766	Kit, Saddle Clamp w/ Hardware (Pair)	1	2		
4			Clamp, Saddle, Crossbar	1	1		
5			Screw (M6 x 45mm)	1	2		
6	C	1173768	NLA - Locknut (M6 x 1)	1	2		
7			Kit, Pivot Link w/ Hardware (18 - 20" W) (Pair)	1	2		
8			Link, Pivot, Crossbrace (18-20" W)	1	2		
9			Screw, Socket Head, Cap (M6 x 35mm)	1	2		
10			NLA - Locknut (M6 x 1)	1	2		
			Carton	1	1		
			NLA - Bag, Poly Zip-Lip (8-3/4" L x 6" W)	1	1		
7	C	1173769	Kit, Pivot Link w/ Hardware (22" W)	1	2		
8			Link, Pivot, Crossbrace (22" W)	1	2		
9			NLA - Screw, Socket Button Head (M6 x 40mm)	1	2		
10	C	1173770	NLA - Locknut (M6 x 1)	1	2		
7			Kit, Pivot Link w/ Hardware (24" W)	1	2		
8			Link, Pivot, Crossbrace (24" W)	1	2		
9			NLA - Screw, Socket Button Head (M6 x 40mm)	1	2		
10			NLA - Locknut (M6 x 1)	1	2		
11			D	1173773-NLA	NLA - Kit, Seat Rail Extensions, Myon (2")	1	1
12					NLA - Plug Button	1	4
13	Extension, Seat Rail (2")	1			2		
14			NLA - Screw, Phillips Pan Head (M3.5 x .6 x 9.5mm)	1	4		

NOTE: A - Includes items 3 - 14.  
 B - Includes items 4 - 6.  
 C - Includes items 8 - 10.  
 D - Includes items 13 - 15.

### #1 Crossbrace Assembly w/ Hardware - Fixed Depth HD

Seat Depth	20" W	22" W	24" W
16"	1488618	1488620	N/A
17"	1169097	1169098	N/A
18"	1488619	1488621	1488622
19"	N/A	1169105	1169106
20"	1169112	1169113	1169114