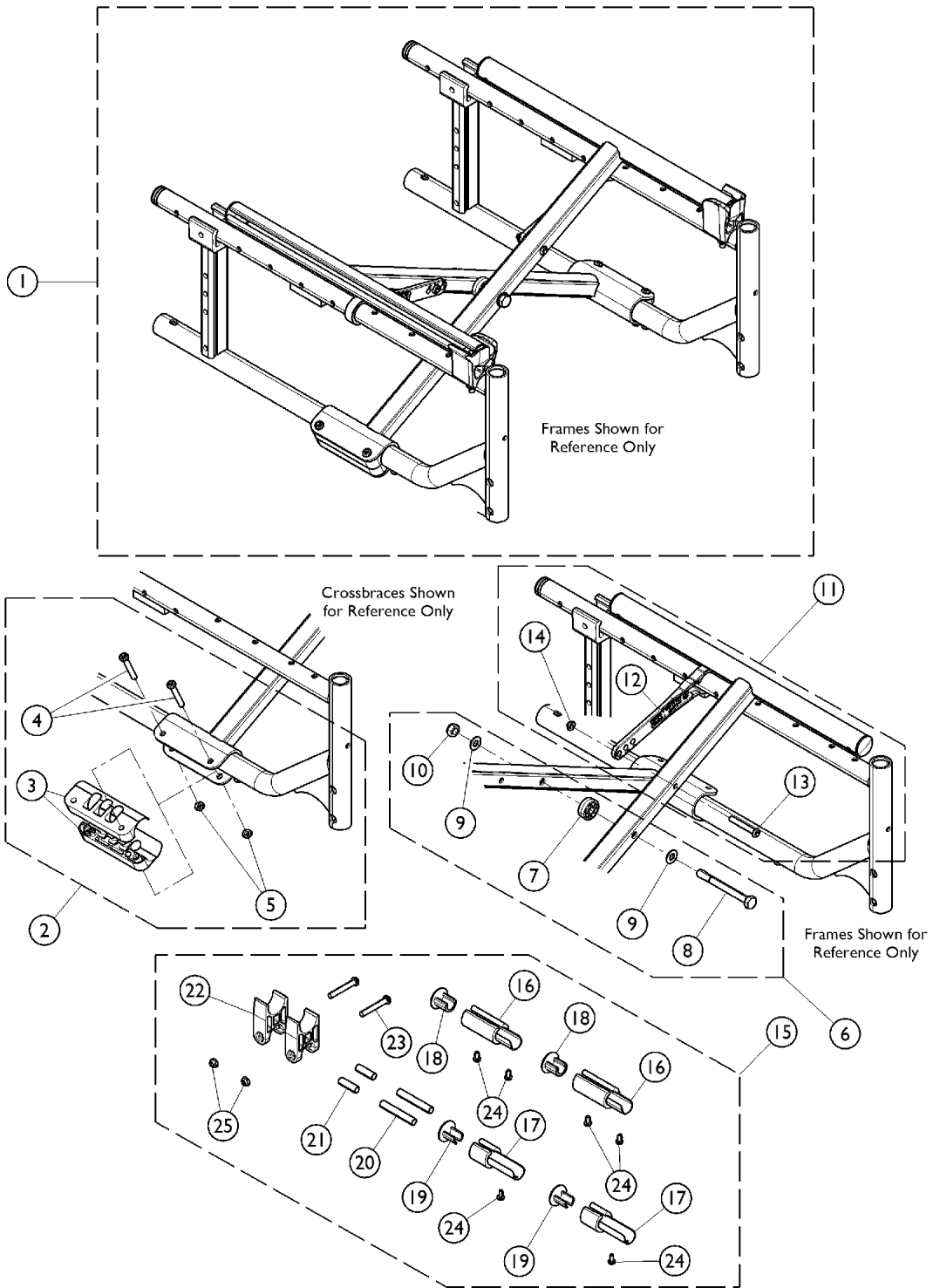


Crossbrace - Conventional Adjustable Depth (ADJDPTH)



Crossbrace - Conventional Adjustable Depth (ADJDPTH)

Item Number	Note	Part Number	Description	Quantity Per	
				Package	Assembly
1	A	See Chart	#1 Crossbrace Assembly w/ Hardware - Myon	1	1
2	B	1173766	Kit, Saddle Clamp w/ Hardware (Pair)	1	1
3			Clamp, Saddle, Crossbar	1	2
4			Screw (M6 x 45mm)	1	4
5			NLA - Locknut (M6 x 1)	1	4
6	C	1173775	Kit, Crossbrace Bolt w/ Hardware (Pair)	1	1
7			Insert, Crossbrace	1	4
8			Screw, Socket Head, Cap (M6 x 55mm, 12.9)	1	2
9			Washer, Crossbrace	1	2
10			NLA - Locknut (M6 x 1)	1	4
11	D	1173768	Kit, Pivot Link w/ Hardware (18 - 20" W) (Pair)	1	1
12			Link, Pivot, Crossbrace (18-20" W)	1	2
13			Screw, Socket Head, Cap (M6 x 35mm)	1	2
14			NLA - Locknut (M6 x 1)	1	2
			Carton	1	1
			NLA - Bag, Poly Zip-Lip (8-3/4" L x 6" W)	1	1
11	D	1173780	Kit, Pivot Link w/ Hardware (15 - 17" W) (Pair)	1	1
12			Link, Pivot, Crossbrace (15-17" W)	1	2
13			Screw, Socket Head, Cap (M6 x 35mm)	1	2
14			NLA - Locknut (M6 x 1)	1	2
15	E	1172274	Kit, Seat Rail Extensions (16 - 18" D)	1	1
16			Extension, Seat Rail (2")	1	2
17			Extension, Seat Rail (1")	1	2
18			NLA - Plug Button	1	2
19			Cap, Extension, Seat Rail (1")	1	2
20			Rod, Upholstery (2")	1	2
21			Rod, Upholstery (1")	1	2
22			Guide, Seat	1	2
23			NLA - Screw, Socket Button Head (M6 x 40mm)	1	2
24			NLA - Screw, Phillips Pan Head (M3.5 x .6 x 9.5mm)	1	6
25			NLA - Locknut (M6 x 1)	1	2
			Instruction Sheet, Seat Rail Extensions	1	1
NOTE: A - Includes items 2 - 14. B - Includes items 3 - 5. C - Includes items 7 - 10. D - Includes items 12 - 14. E - Includes items 16 - 25.					

Crossbrace - Conventional Adjustable Depth (ADJDPTH)

#1 Crossbrace Assembly w/ Hardware - Adjustable Depth

Seat Width	15" W	16" W	17" W	18" W	19" W	20" W
16 - 18" D (ADJDEPTH) (SDR1618)	1530032	1530033	1530034	1530035	1530036	1530037
18 - 20" D (ADJDPTH) (SDR1820)	1530038	1530032	1530053	1530054	1530055	1530056