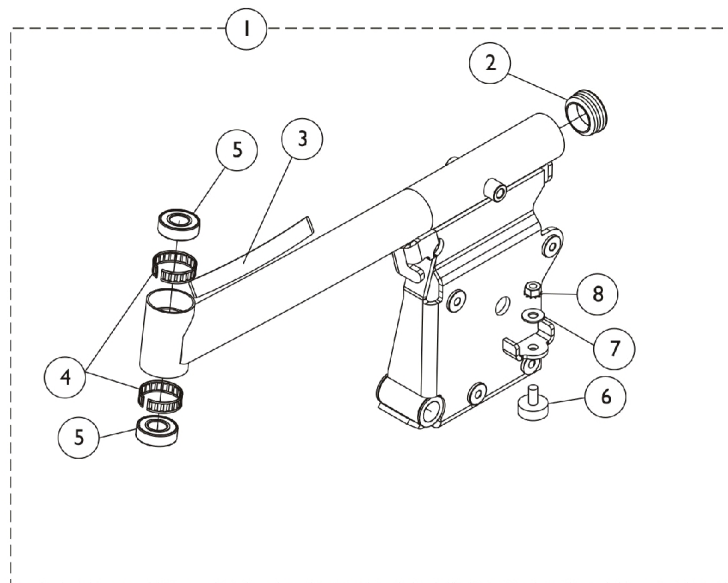
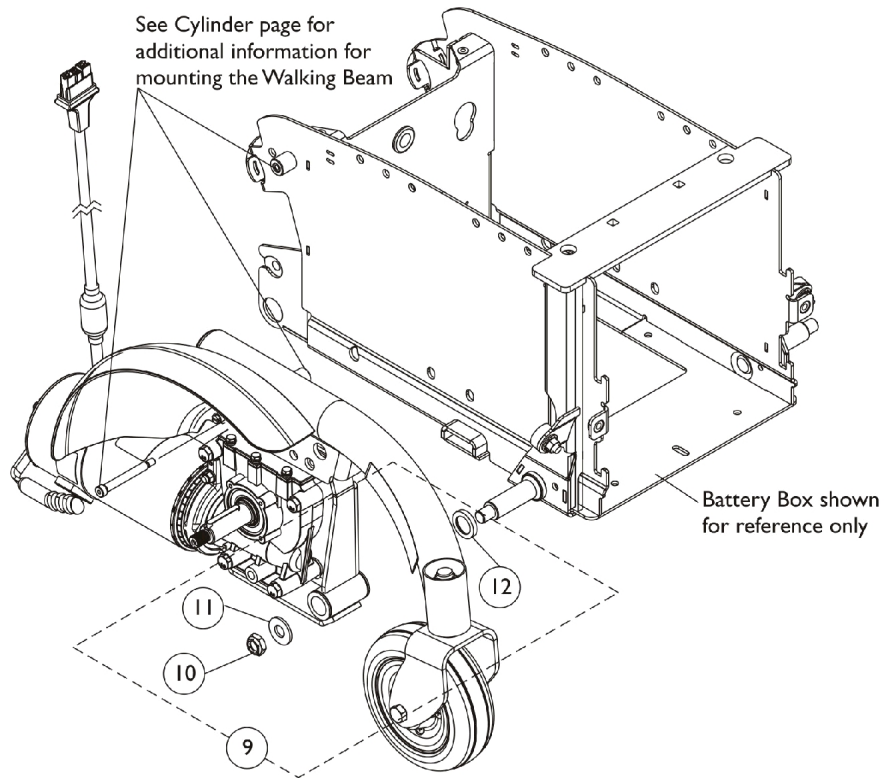


Walking Beam and Mounting Hardware

TDX SI & TDX SI-2 After 9/14/11



Walking Beam and Mounting Hardware TDX SI & TDX SI-2 After 9/14/11

| Item Number | Note | Part Number | Description | Quantity Per | |
|-------------|-------|-------------|---|--------------|----------|
| | | | | Package | Assembly |
| 1 | A,C,E | 8881175022 | Kit, Walking Beam Assembly, Color, SSD, TDX SI w/ Black Decal - Right | 1 | 1 |
| 2 | | | NLA - Plug Button, Round, Black (1-1/2") | 1 | 1 |
| 3 | | | Decal, TDX SI, Black | 1 | 1 |
| 4 | | | Ring, Tolerance | 1 | 2 |
| 5 | | | Bearing (5/8") | 1 | 2 |
| 6 | | | Bumper, Rubber (1" Diameter x 3/8") | 1 | 1 |
| 7 | | | Washer, Steel (5/16 x 3/4 x 1/16") | 1 | 1 |
| 8 | | | NLA - Nut, Keps (5/16-18) | 1 | 1 |
| | | | Instruction Sheet, Walking Beam | 1 | 1 |
| 1 | A,C,E | 8881175023 | Kit, Walking Beam Assembly, Color, SSD, TDX SI w/ Black Decal - Left | 1 | 1 |
| 2 | | | NLA - Plug Button, Round, Black (1-1/2") | 1 | 1 |
| 3 | | | Decal, TDX SI, Black | 1 | 1 |
| 4 | | | Ring, Tolerance | 1 | 2 |
| 5 | | | Bearing (5/8") | 1 | 2 |
| 6 | | | Bumper, Rubber (1" Diameter x 3/8") | 1 | 1 |
| 7 | | | Washer, Steel (5/16 x 3/4 x 1/16") | 1 | 1 |
| 8 | | | NLA - Nut, Keps (5/16-18) | 1 | 1 |
| | | | Instruction Sheet, Walking Beam | 1 | 1 |
| 1 | B,C,E | 8881175024 | Kit, Walking Beam Assembly, Color, SSD, TDX SI w/ Yellow/Silver Decal - Right | 1 | 1 |
| 2 | | | NLA - Plug Button, Round, Black (1-1/2") | 1 | 1 |
| 3 | | | Decal, TDX SI, Yellow/Silver | 1 | 1 |
| 4 | | | Ring, Tolerance | 1 | 2 |
| 5 | | | Bearing (5/8") | 1 | 2 |
| 6 | | | Bumper, Rubber (1" Diameter x 3/8") | 1 | 1 |
| 7 | | | Washer, Steel (5/16 x 3/4 x 1/16") | 1 | 1 |
| 8 | | | NLA - Nut, Keps (5/16-18) | 1 | 1 |
| | | | Instruction Sheet, Walking Beam | 1 | 1 |
| 1 | B,C,E | 8881175025 | Kit, Walking Beam Assembly, Color, SSD, TDX SI w/ Yellow/Silver Decal - Left | 1 | 1 |
| 2 | | | NLA - Plug Button, Round, Black (1-1/2") | 1 | 1 |
| 3 | | | Decal, TDX SI, Yellow/Silver | 1 | 1 |
| 4 | | | Ring, Tolerance | 1 | 2 |
| 5 | | | Bearing (5/8") | 1 | 2 |
| 6 | | | Bumper, Rubber (1" Diameter x 3/8") | 1 | 1 |
| 7 | | | Washer, Steel (5/16 x 3/4 x 1/16") | 1 | 1 |
| 8 | | | NLA - Nut, Keps (5/16-18) | 1 | 1 |
| | | | Instruction Sheet, Walking Beam | 1 | 1 |
| 1 | C,E,F | 8881175900 | Kit, Walking Beam Assembly, Color, SSD, TDX SI-2 w/ Yellow/Silver Decal - Right | 1 | 1 |
| 2 | | | NLA - Plug Button, Round, Black (1-1/2") | 1 | 1 |
| 3 | | | Decal, TDX SI, Black | 1 | 1 |
| 4 | | | Ring, Tolerance | 1 | 2 |
| 5 | | | Bearing (5/8") | 1 | 2 |
| 6 | | | Bumper, Rubber (1" Diameter x 3/8") | 1 | 1 |

Walking Beam and Mounting Hardware

TDX SI & TDX SI-2 After 9/14/11

| Item Number | Note | Part Number | Description | Quantity Per | |
|-------------|-------|-------------|--|--------------|----------|
| | | | | Package | Assembly |
| 7 | | | Washer, Steel (5/16 x 3/4 x 1/16") | 1 | 2 |
| 8 | | | NLA - Nut, Keps (5/16-18) | 1 | 1 |
| | | | Instruction Sheet, Walking Beam | 1 | 1 |
| 1 | C,E,F | 8881175901 | Kit, Walking Beam Assembly, Color, SSD, TDX SI-2 w/ Yellow/Silver Decal - Left | 1 | 1 |
| 2 | | | NLA - Plug Button, Round, Black (1-1/2") | 1 | 1 |
| 3 | | | Decal, TDX SI, Black | 1 | 1 |
| 4 | | | Ring, Tolerance | 1 | 2 |
| 5 | | | Bearing (5/8") | 1 | 2 |
| 6 | | | Bumper, Rubber (1" Diameter x 3/8") | 1 | 1 |
| 7 | | | Washer, Steel (5/16 x 3/4 x 1/16") | 1 | 2 |
| 8 | | | NLA - Nut, Keps (5/16-18) | 1 | 1 |
| | | | Instruction Sheet, Walking Beam | 1 | 1 |
| 2 | | 1146345 | NLA - Plug Button, Round, Black (1-1/2") | 1 | 1 |
| 3 | A | 1157930 | Decal, TDX SI, Black | 1 | 1 |
| 3 | B | 1148036 | Decal, TDX SI, Yellow/Silver | 1 | 1 |
| 3 | F | 1164950 | Decal, TDX SI-2, Yellow/Silver | 1 | 1 |
| 4 | | 1110717 | Ring, Tolerance | 1 | 2 |
| 5 | | 40117X006 | Bearing (5/8") | 1 | 2 |
| 9 | D | 1160523 | Kit, 2-Pole and 4-Pole Motor Mounting Hardware | 1 | 1 |
| 10 | | | Locknut (1/2-20) | 1 | 1 |
| 11 | | | Washer (1/2") | 1 | 1 |
| 12 | | | Spacer, Coved (3/4 x 1-1/8 x 1-1/32") | 1 | 1 |

NOTE: A - Used for 30P Sunny Yellow, 60P Silver Metallic and 71P Silver Vein frame colors only.
 B - Used for all frame colors except 30P Sunny Yellow, 60P Silver Metallic and 71P Silver Vein.
 C - Specify frame color when ordering.
 D - Includes items 10-12.
 E - Includes the Walking Beam, items 2-8 and Installation Instruction Sheet. TDX SI models only use (1) ea. of item #7 in a Walking Beam Assembly.
 F - Used for 61P Electric Red and 62P Electric Blue frame colors only.