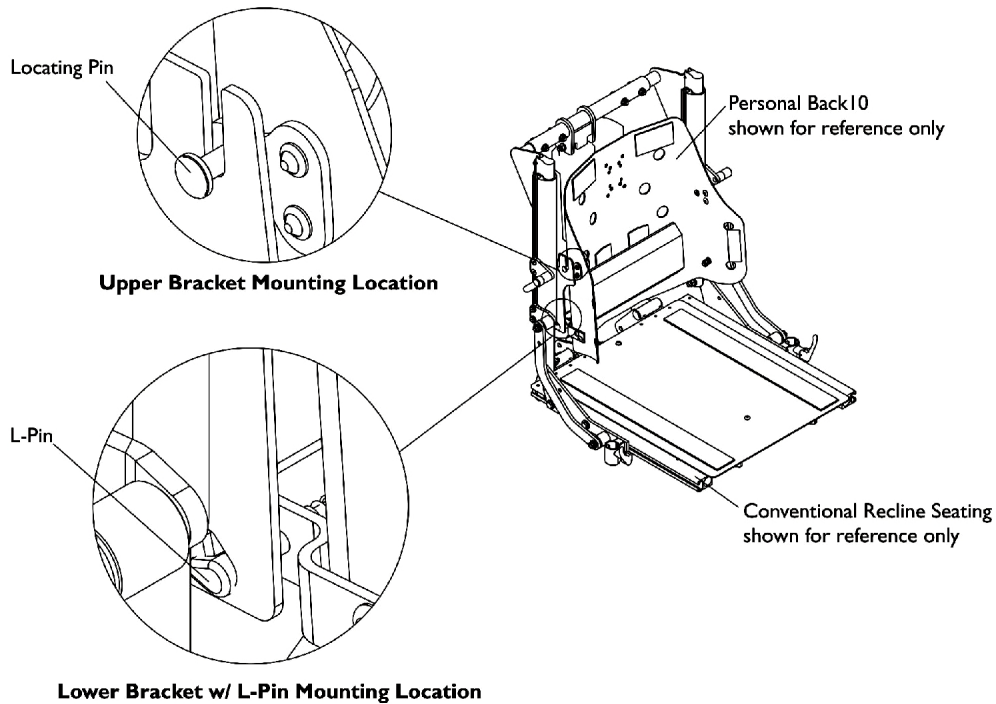
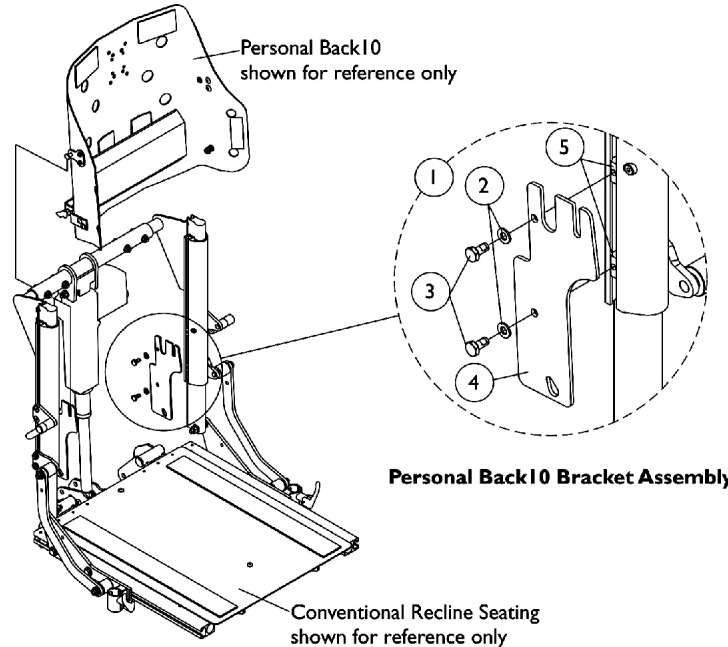


# Matrix Personal Back10 (TALL Reg./TALL Plus) Hardware - For Extruded Canes

## Formula TRE Conventional Recline w/ BPO Option (Matrix added to Brand name as of 6/30/2011)



**Matrx Personal Back10 (TALL Reg./TALL Plus) Hardware -  
For Extruded Canes  
Formula TRE Conventional Recline w/ BPO Option  
(Matrx added to Brand name as of 6/30/2011)**

Item Number	Note	Part Number	Description	Quantity Per	
				Package	Assembly
1	A	1132748	Kit, Personal Back10 Tall Back Mounting Hardware For Conventional Recline 16-20" Wide	1	1
2			Washer (1/4 x 1/2 x 1/16")	1	4
3			Screw, Hex Head w/ Patch (1/4-20 x 1/2")	1	4
4			Bracket, Personal Back10 Tall, For Conventional Recline, Black (16 - 20" W)	1	2
5			T-Nut (1/4-20)	1	4
1	A	1133122	Kit, Personal Back10 Tall Back Mounting Hardware For Conventional Recline 20-24" Wide	1	1
2			Washer (1/4 x 1/2 x 1/16")	1	4
3			Screw, Hex Head w/ Patch (1/4-20 x 1/2")	1	4
4			Bracket, Personal Back10 Tall, For Conventional Recline, Black (20 - 24" W)	1	2
5			T-Nut (1/4-20)	1	4

NOTE: A - Includes items 2-5 and is used for a Personal Back10 Tall (Regular or Plus) model only