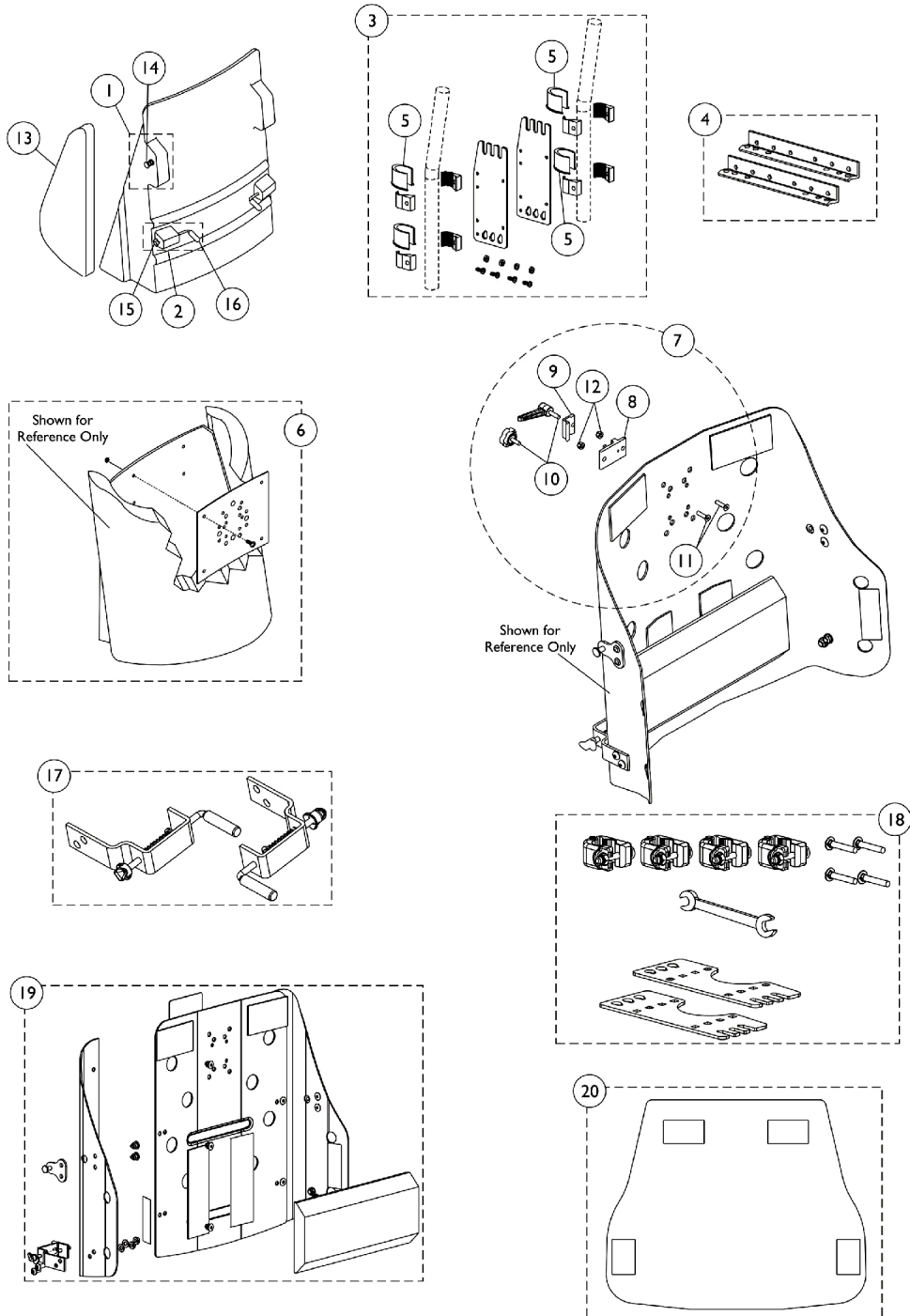


# Personal Back, Personal Back Plus, Matrix Personal Back10 Reg./Tall, Matrix Personal Back10 Plus Reg./Tall - For Round Canes

(Matrix added to Brand name as of 6/30/2011)

For Matrix PB models, see page titled "Matrix PB Back, Matrix PB Deep Back, Matrix PB HD Back and Matrix PB Deep HD Back".



# Personal Back, Personal Back Plus, Matrix Personal Back10 Reg./Tall, Matrix Personal Back10 Plus Reg./Tall - For Round Canes

(Matrix added to Brand name as of 6/30/2011)

For Matrix PB models, see page titled "Matrix PB Back, Matrix PB Deep Back, Matrix PB HD Back and Matrix PB Deep HD Back".

Item Number	Note	Part Number	Description	Quantity Per	
				Package	Assembly
1		MB-50	Kit, Top Mounting Hardware	1	1
2	B	MB-54	Kit, Bottom Mounting L-Pin Assembly	1	1
3	B	MB12A-NLA	NLA - Kit, Personal Back Hardware	1	1
4		1045697-NLA	NLA - Kit, Angle Brackets with Hardware	1	1
5		1088055-NLA	NLA - Package, Inserts, Clamp, Black (7/8" Tubing)	4	1
6		1049522-NLA	NLA - Kit, Headrest Reinforcement (Includes: (4) Locknuts (#10-32), (4) Screws (#10-32 x 1/2"), (1) Headrest Plate - Black, and Instruction Sheet)	1	1
7	E	0273100	Kit, Headrest Clamp, Lever Style	1	1
8	F	0237422-NLA	NLA - Clamp, Small Bottom Half	1	1
9	F	0237522-NLA	NLA - Clamp, Small Top Half	1	1
10		1072439-NLA	NLA - Knob, Adjustment, Black (3/4" L Threads)	1	1
11		0288706-NLA	NLA - Screw, Socket, Flat Head (1/4-20 x 1")	1	2
12		1025736	Locknut (1/4-20)	1	2
13	J,K	1045690-NLA	NLA - Lateral Pad Assembly - Large/Right (5-41/64 W x 15-21/32" L)	1	1
13	J,K	1045691-NLA	NLA - Lateral Pad Assembly - Large/Left (5-41/64 W x 15-21/32" L)	1	1
13	I	1045833-NLA	NLA - Pad, Lateral Assembly - Small, Right (4-1/4 W x 10-3/8" L)	1	1
13	I	1045834-NLA	NLA - Pad, Lateral Assembly - Small, Left (4-1/4 W x 10-3/8" L)	1	1
14		1045677-NLA	NLA - T-Nut, Capped	1	2
15		1045667	Cap, End, Nylon, Black	1	2
16		1045669-NLA	NLA - Tip, Foam, Black	1	2
17	C	1118404-NLA	NLA - Kit, L-Pin, Bottom Mounting Assembly (Pair) (Includes: a pair of L-Pin Brackets, Poly Bag, and Carton.)	1	1
17	D	1125366	Kit, L-Pin, Bottom Mounting Assembly (13 - 26" W) (Pair)	1	1
18		1116448	Kit, Personal Back10 Hardware (13-20" Widths)	1	1
18		1124469	Kit, Personal Back10 Hardware (22-26" Widths)	1	1
19		See Chart	Item #19 - Panel Assembly (Shell)	1	1
20		See Chart	Item #20 Foam, Personal Back10 and Personal Back10 Plus	1	1
	A,G	1045692	Support, Lumbar - Medium	1	1
	A,H	1084410-NLA	NLA - Support, Lumbar - Large	1	1
	A,L	1060985-NLA	NLA - Instruction Sheet, Personal Back Mounting Hardware	1	1
	A	See Chart	Outer Cover, Personal Back and Personal Back Plus	1	1

# Personal Back, Personal Back Plus, Matrix Personal Back10 Reg./Tall, Matrix Personal Back10 Plus Reg./Tall - For Round Canes

(Matrix added to Brand name as of 6/30/2011)

For Matrix PB models, see page titled "Matrix PB Back, Matrix PB Deep Back, Matrix PB HD Back and Matrix PB Deep HD Back".

Item Number	Note	Part Number	Description	Quantity Per	
				Package	Assembly
	A	See Chart	Outer Cover, Personal Back10 and Personal Back10 Plus	1	1

NOTE:

- A - Not Shown
- B - Manufactured before 2/8/03.
- C - Manufactured between 2/10/03 and 8/17/03.
- D - Manufactured after 8/18/03.
- E - Includes items 8-12. Item 10 Adjustment Knob was replaced with an Adjustment Lever. The Lever is not available as a separate part. The Knob part #1072439 is still sold separately and is interchangeable with the lever.
- F - Clamp is no longer available individually. See Headrest Clamp Kit item #7.
- G - Used for 13", 14" and 15" wide back models.
- H - Used for 16", 17", 18", 19" and 20" wide back models.
- I - Small Laterals are no longer available for any of the Personal Back models listed on this page.
- J - Large Lateral Pad assemblies shown are for the Personal Back 10 and the Personal Back 10 Plus but can be used on the Personal Back and the Personal Back Plus.
- K - See the Matrix Seating Series for Laterals that fit newer model Matrix Posture Back.
- L - Item is no longer available from the Invacare Service Parts Department. Refer to the Invacare Website under "Product Literature Search". Enter the part number in the "Keywords" field and download a free PDF version copy.

## Item #19 - Panel (Shell) Assembly

Size	Regular, Regular	Regular, Plus	Tall, Regular	Tall, Plus
13"	1115880-NLA	1115888-NLA	1115896-NLA	1115904-NLA
14"	1115881-NLA	1115889-NLA	1115897-NLA	1115905-NLA
15"	1115882-NLA	1115890-NLA	1115898-NLA	1115906-NLA
16"	1115883-NLA	1115891-NLA	1115899-NLA	1115907-NLA
17"	1115884-NLA	1115892-NLA	1115900-NLA	1115908-NLA
18"	1115885-NLA	1115893-NLA	1115901-NLA	1115909-NLA
19"	1115886-NLA	1115894-NLA	1115902-NLA	1115910-NLA
20"	1115887-NLA	1115895-NLA	1115903-NLA	1115911-NLA
22"	1124360-NLA	1124363-NLA	1124366-NLA	1124369-NLA
24"	1124361-NLA	1124364-NLA	1124367-NLA	1124370-NLA
26"	1124362-NLA	1124365-NLA	1124368-NLA	1124371-NLA

# Personal Back, Personal Back Plus, Matrix Personal Back10 Reg./Tall, Matrix Personal Back10 Plus Reg./Tall - For Round Canes

(Matrix added to Brand name as of 6/30/2011)

For Matrix PB models, see page titled "Matrix PB Back, Matrix PB Deep Back, Matrix PB HD Back and Matrix PB Deep HD Back".

## Item #20 Foam

### Personal Back10 and Personal Back10 Plus

Description	HR Foam	Visco Foam
13-14" Wide Regular Plus	1116453	1116469
15-16" Wide Regular Plus	1116454	1116470
17-18" Wide Regular Plus	1116455	1116471
19-20" Wide Regular Plus	1116456	1116472
22" Wide Regular Plus	1124497-NLA	1124509-NLA
24" Wide Regular Plus	1124498-NLA	1124510-NLA
26" Wide Regular Plus	1124499-NLA	1124511-NLA
13-14" Wide Regular	1116457	1116473
15-16" Wide Regular	1116458	1116474
17-18" Wide Regular	1116459	1116475
19-20" Wide Regular	1116460	1116476
22" Wide Regular	1124494-NLA	1124506-NLA
24" Wide Regular	1124495-NLA	1124507-NLA
26" Wide Regular	1124496-NLA	1124508-NLA
13-14" Wide Tall Plus	1116461	1116477
15-16" Wide Tall Plus	1116462	1116478
17-18" Wide Tall Plus	1116463-NLA	1116479
19-20" Wide Tall Plus	1116464	1116480
22" Wide Tall Plus	1124503-NLA	1124515-NLA
24" Wide Tall Plus	1124504-NLA	1124516-NLA
26" Wide Tall Plus	1124505-NLA	1124517-NLA
13-14" Wide Tall Regular	1116465	1116481

# Personal Back, Personal Back Plus, Matrix Personal Back10 Reg./Tall, Matrix Personal Back10 Plus Reg./Tall - For Round Canes

(Matrix added to Brand name as of 6/30/2011)

For Matrix PB models, see page titled "Matrix PB Back, Matrix PB Deep Back, Matrix PB HD Back and Matrix PB Deep HD Back".

## Item #20 Foam

### Personal Back10 and Personal Back10 Plus

Description	HR Foam	Visco Foam
15-16" Wide Tall Regular	1116466	1116482
17-18" Wide Tall Regular	1116467	1116483
19-20" Wide Tall Regular	1116468	1116484
22" Wide Tall Regular	1124500-NLA	1124512-NLA
24" Wide Tall Regular	1124501-NLA	1124513-NLA
26" Wide Tall Regular	1124502-NLA	1124514-NLA

# Personal Back, Personal Back Plus, Matrix Personal Back10 Reg./Tall, Matrix Personal Back10 Plus Reg./Tall - For Round Canes

(Matrix added to Brand name as of 6/30/2011)

For Matrix PB models, see page titled "Matrix PB Back, Matrix PB Deep Back, Matrix PB HD Back and Matrix PB Deep HD Back".

## Outer Upholstery Cover

### Personal Back10 and Personal Back10 Plus

Back Width	Regular	Tall Regular	Regular Plus	Tall Plus
13"	1115787	1115803	1115779	1115795
14"	1115788	1115804	1115780	1115796
15"	1115789	1115805	1115781	1115797
16"	1115790	1115806	1115782	1115798
17"	1115791	1115807	1115783	1115799
18"	1115792	1115808	1115784	1115800
19"	1115793	1115809	1115785	1115801
20"	1115794	1115810	1115786	1115802
22"	1124784	1124790	1124787	1124793
24"	1124785	1124791	1124788	1124794
26"	1124786	1124792	1124789	1124795

## Outer Cover

### Personal Back and Personal Back Plus

Chair Width	Regular	Tall	Regular Plus	Tall Plus
16"	1084711-NLA	1084712-NLA	1084719-NLA	1084720-NLA
18"	1084713-NLA	1084714-NLA	1084721-NLA	1084722-NLA
20"	1084715-NLA	1084716-NLA	1084723-NLA	1084724-NLA

Note: Odd sizes must be ordered as a builder.