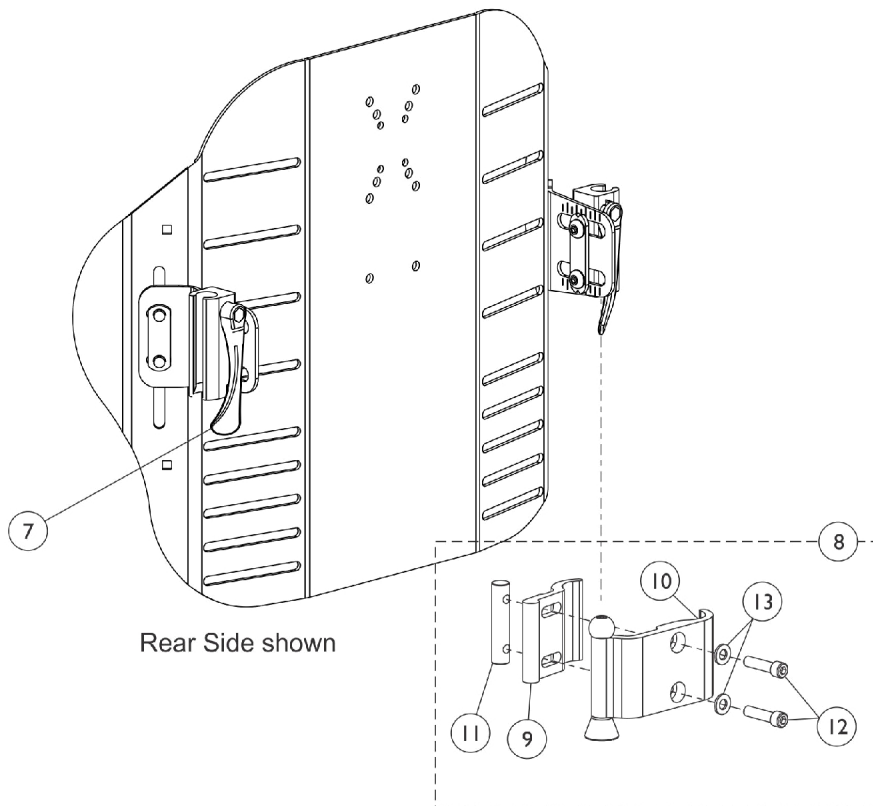
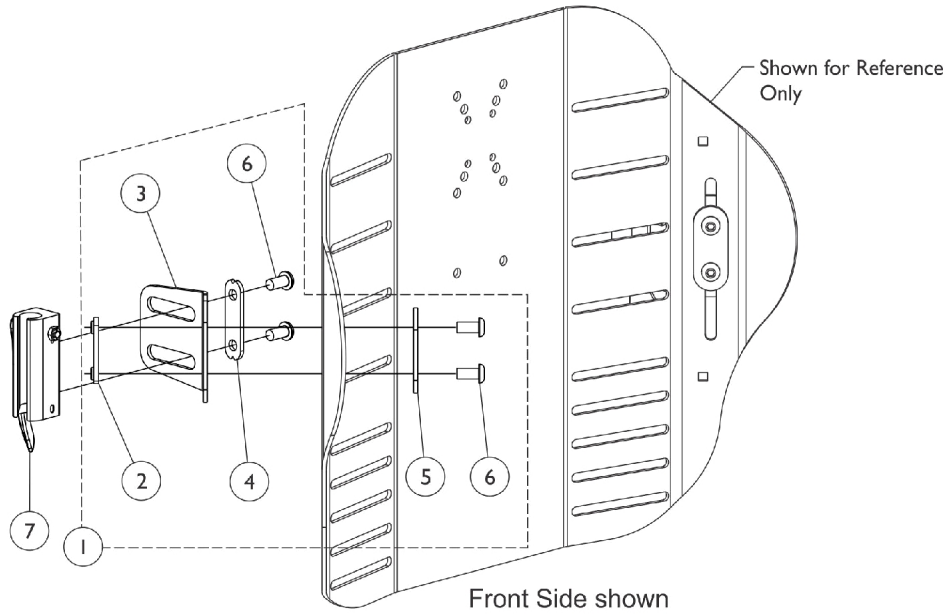


Matrix PCS Back Mounting Hardware and Cane Clamp Hardware (20"-24" W)

(Matrix Brand name replaced InTouch as of 6/30/2011)



Matrx PCS Back Mounting Hardware and Cane Clamp Hardware (20"-24" W) (Matrx Brand name replaced InTouch as of 6/30/2011)

Item Number	Note	Part Number	Description	Quantity Per	
				Package	Assembly
1	A	1166011	Kit, Back Shell Mounting Hardware (20" - 24" W)	1	1
2			Nut, Weld (5/16-18 x 1-3/8" Spacing)	1	2
3			Bracket, Angle, Adjustable (20-24" W)	1	2
4			Plate, Washer	1	2
5			Plate, Washer	1	2
6			Screw, Socket, Button Head (5/16-18 x 5/8")	1	8
7	B	1163282	Kit, PCS Back Sleeve - Right	1	1
			Lever, Adjustment, PCS Back - Right	1	1
			Pin, Lever	1	1
			Pin, Roll (3/32" x 5/8")	1	1
			NLA - Locknut (#10-24)	1	1
			Sleeve, Pin	1	1
7	B	1163283	Kit, PCS Back Sleeve - Left	1	1
			Lever, Adjustment, PCS Back - Left	1	1
			Pin, Lever	1	1
			Pin, Roll (3/32" x 5/8")	1	1
			NLA - Locknut (#10-24)	1	1
			Sleeve, Pin	1	1
8	C	1162034	Kit, Clamp, Cane - Right	1	1
9			Outer Cane Clamp Assembly - Right	1	1
10			Clamp, Cane, Inside	1	1
11			Bar, Threaded Nut (1/4-20 x 2")	1	1
12			Screw, Allen Head (1/4-20 x 1")	1	2
13			Washer (1/4 x 1/2 x 1/16")	1	2
8	C	1162035	Kit, Cane Clamp - Left	1	1
9			Outer Cane Clamp Assembly - Left	1	1
10			Clamp, Cane, Inside	1	1
11			Bar, Threaded Nut (1/4-20 x 2")	1	1
12			Screw, Allen Head (1/4-20 x 1")	1	2
13			Washer (1/4 x 1/2 x 1/16")	1	2

NOTE: A - Includes items 2-6. For use on regular and tall sizes.
B - Item #7 PCS Back Sleeve Kit attaches to item #8 Cane Clamp Kit.
C - Includes items 9-13.