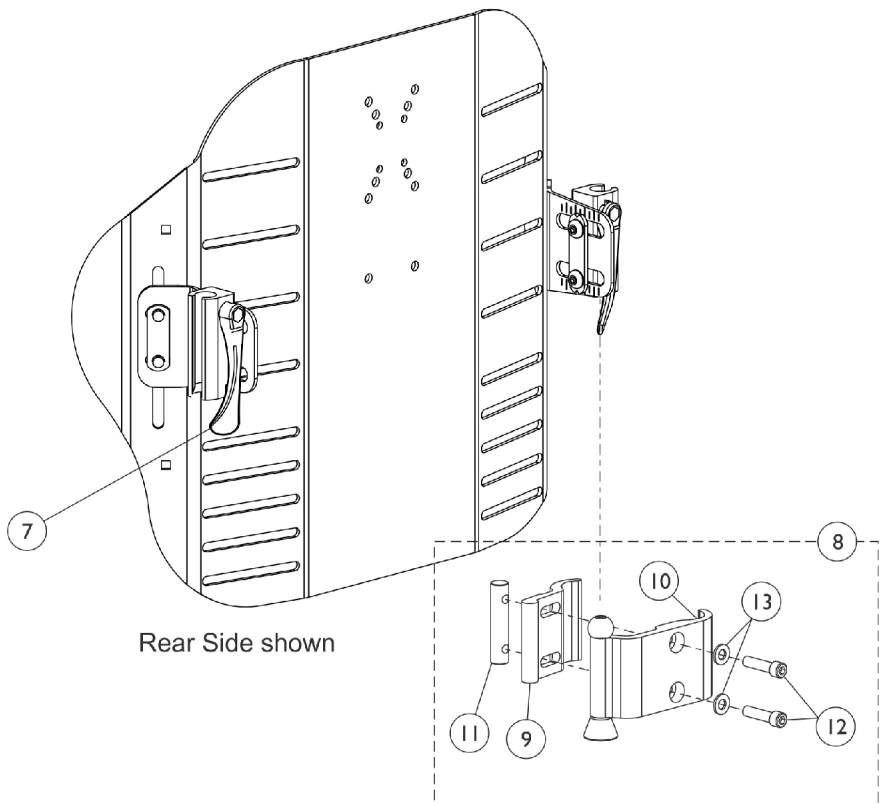
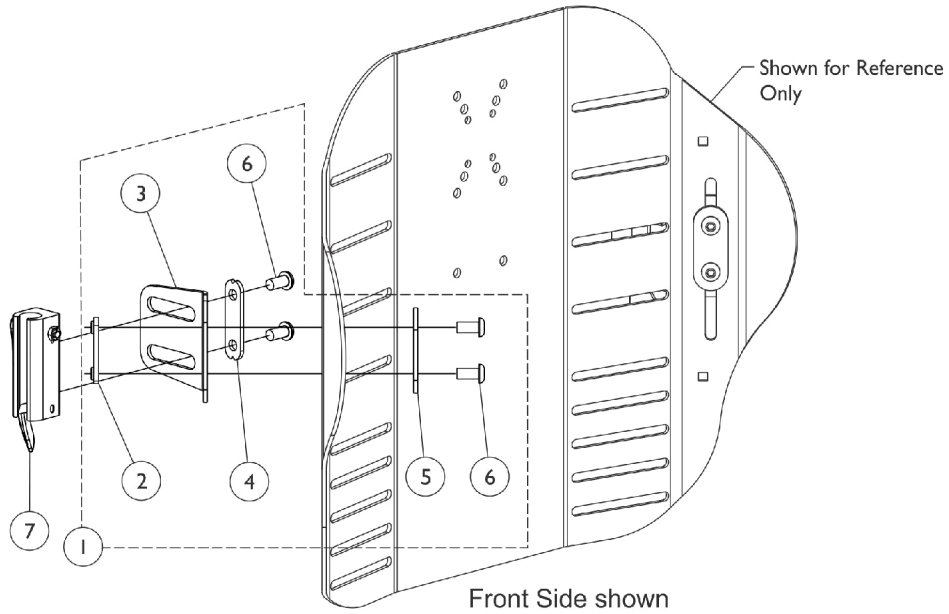


Matrx PCS Back Mounting Hardware and Cane Clamp Hardware (14"-19" W)

(Matrx Brand name replaced InTouch as of 6/30/2011)



Matrx PCS Back Mounting Hardware and Cane Clamp Hardware (14"-19" W) (Matrx Brand name replaced InTouch as of 6/30/2011)

| Item Number | Note | Part Number | Description | Quantity Per | |
|-------------|------|-------------|---|--------------|----------|
| | | | | Package | Assembly |
| 1 | A | 1166010 | Kit, Back Shell Mounting Hardware (14" - 19" W) | 1 | 1 |
| 2 | | | Nut, Weld (5/16-18 x 1-3/8" Spacing) | 1 | 2 |
| 3 | | | Bracket, Angle, Adjustable (14-19" W) | 1 | 2 |
| 4 | | | Plate, Washer | 1 | 2 |
| 5 | | | Plate, Washer | 1 | 2 |
| 6 | | | Screw, Socket, Button Head (5/16-18 x 5/8") | 1 | 8 |
| 7 | B | 1163282 | Kit, PCS Back Sleeve - Right | 1 | 1 |
| | | | Lever, Adjustment, PCS Back - Right | 1 | 1 |
| | | | Pin, Lever | 1 | 1 |
| | | | Pin, Roll (3/32" x 5/8") | 1 | 1 |
| | | | NLA - Locknut (#10-24) | 1 | 1 |
| | | | Sleeve, Pin | 1 | 1 |
| 7 | B | 1163283 | Kit, PCS Back Sleeve - Left | 1 | 1 |
| | | | Lever, Adjustment, PCS Back - Left | 1 | 1 |
| | | | Pin, Lever | 1 | 1 |
| | | | Pin, Roll (3/32" x 5/8") | 1 | 1 |
| | | | NLA - Locknut (#10-24) | 1 | 1 |
| | | | Sleeve, Pin | 1 | 1 |
| 8 | C | 1162034 | Kit, Clamp, Cane - Right | 1 | 1 |
| 9 | | | Outer Cane Clamp Assembly - Right | 1 | 1 |
| 10 | | | Clamp, Cane, Inside | 1 | 1 |
| 11 | | | Bar, Threaded Nut (1/4-20 x 2") | 1 | 1 |
| 12 | | | Screw, Allen Head (1/4-20 x 1") | 1 | 2 |
| 13 | | | Washer (1/4 x 1/2 x 1/16") | 1 | 2 |
| 8 | C | 1162035 | Kit, Cane Clamp - Left | 1 | 1 |
| 9 | | | Outer Cane Clamp Assembly - Left | 1 | 1 |
| 10 | | | Clamp, Cane, Inside | 1 | 1 |
| 11 | | | Bar, Threaded Nut (1/4-20 x 2") | 1 | 1 |
| 12 | | | Screw, Allen Head (1/4-20 x 1") | 1 | 2 |
| 13 | | | Washer (1/4 x 1/2 x 1/16") | 1 | 2 |

NOTE: A - Includes items 2-6. For use on tall and regular sizes.
B - Item #7 PCS Back Sleeve Kit attaches to item #8 Cane Clamp Kit.
C - Includes items 9-13.