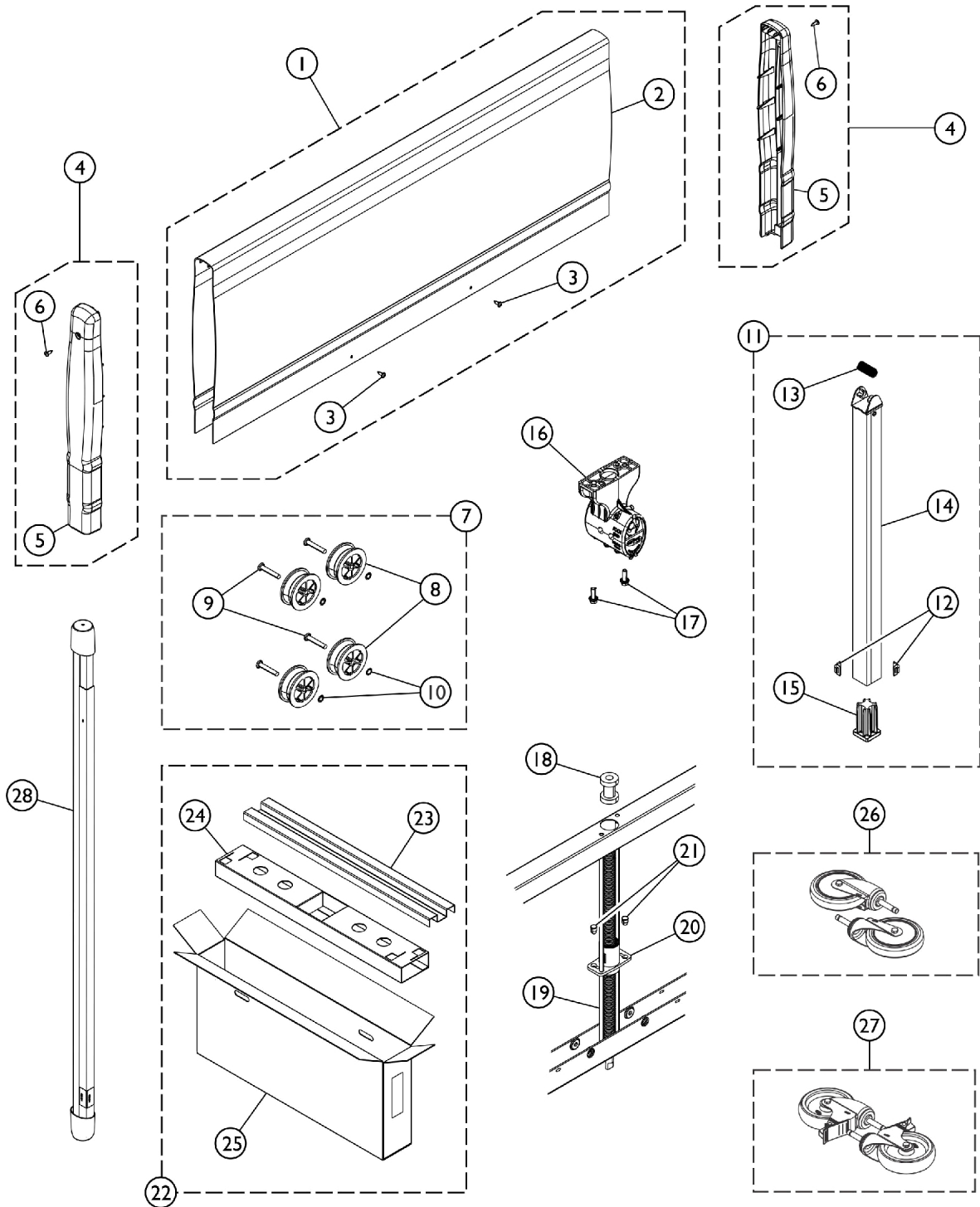


Bed Ends - Full Electric (BAR5301IVC)

NOTE: Bed Ends with the "Woodgrain" finish are from the BAR600 group Manufactured "before 5/05."
Bed Ends with the "Composite" finish are from the BAR600IVC group manufactured "after 2/05." Please
check before ordering service parts.



Bed Ends - Full Electric (BAR5301IVC)

**NOTE: Bed Ends with the "Woodgrain" finish are from the BAR600 group Manufactured "before 5/05."
Bed Ends with the "Composite" finish are from the BAR600IVC group manufactured "after 2/05." Please
check before ordering service parts.**

Item Number	Note	Part Number	Description	Quantity Per	
				Package	Assembly
1	A	1175027	Kit, Panel Replacement	1	1
2			Cover, Bed End Panel	1	1
3			NLA - Screw, Phillips Pan Head (#8-18 x 1/2")	1	8
4	B	1132536-NLA	NLA - Kit, Bed End Cap	1	1
5			Cap, Bed End	1	2
6			NLA - Screw, Phillips Pan Head (#8-18 x 1/2")	1	2
7	C	1132534-NLA	NLA - Kit, Pulley Replacement	1	1
8			Pulley, Cable	1	4
9			Rivet (1/4 x 1-7/16")	1	4
10			Ring, Retaining	1	4
11	D	1132533-NLA	NLA - Kit, Leg Assembly - Bed End	1	1
12			Guide, Leg	1	4
13			Spring, Leg Retaining	1	1
14			Inner Leg Assembly	1	1
15			Socket, Caster	1	1
16	F	1182495	Kit, Gearbox w/ Hardware	1	1
17		54000M497	Screw, Hex Head (1/4-20 x 3/4")	1	2
18		51000M589	Bearing, Sleeve	1	1
19		51000M075	Rod, Guide, Foot End, Short	1	2
20		1115284	Bracket, Screw	1	1
21		54000M780	Plug, Push In	1	2
22		1132538-NLA	NLA - Kit, Packaging - Bed End	1	1
23			Insert, Carton, Top	1	1
24			Insert, Carton, Bottom	1	1
25			Carton, Shipper	1	1
			Bag, Poly	1	1
			Label, Blank Carton	1	1
26		1110430	Caster Assembly, Swivel (5") (Pair)	2	1
27		1110431	Caster Assembly, Swivel w/ Brake (5") (Pair)	2	1
28		7000M585	Drive Shaft Assembly (80")	1	1
		1123842-NLA	NLA - Owner's Manual, Bariatric IVC Bed	1	1

NOTE: A - Includes: Items 2 - 3
B - Includes: Items 5 - 6
C - Includes: Items 8 - 10
D - Includes: Items 12 - 15
F - Includes: Gearbox and item #17.